

ASSEMBLY INSTRUCTIONS

Ergotron Dock Locker

for Microsoft Surface Pro 3
and Docking Station



Product	Part#
Dock Locker	MLDKYCG

NOTE: Shown with Microsoft Surface Pro 3 and Docking Station, not included.



Anthro Corporation is a wholly owned subsidiary of Ergotron Inc., and Ergotron Inc. is a Nortek Company

Anthro Corporation | 10450 SW Manhasset Dr. | Tualatin, OR 97062
Toll-free: 800.325.3841 | Fax: 800.325.0045 | email: sales@anthro.com | anthro.com
Outside the U.S. | Tel: 503.691.2556 | Fax: 503.691.2409

ERGOTRON®



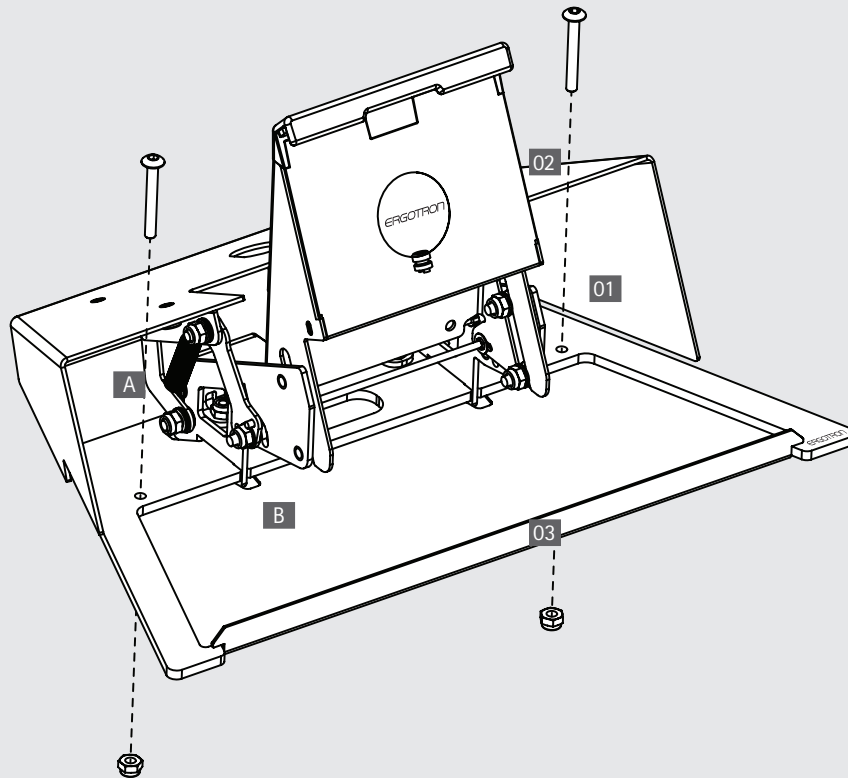
www.ergotron.com
email: sales@ergotron.com



USA 1-800-888-8458
Europe +31 (0)33-45 45 600
China 86-769-86018920

Ergotron, Inc. | 1181 Trapp Road | St. Paul, MN 55121 USA

Revision: January 2015



WELCOME

Thank you for purchasing the Dock Locker for Microsoft Surface Pro 3 Docking Station.

If you have any questions or if we can help you in any way, please contact us at 800.325.3841.

TOOLS

A power drill and drill bit (either 1/4" or 1/8" depending on your installation method) may be required for this assembly.

A Phillips screwdriver and 3/8" socket or nut driver may also be required.

These tools are included with your shipment:

5/32" hex driver bit

5/32" hex Anthro driver

3-way wrench

KEYS

For replacement keys, order part number 979KY.

PARTS LIST

Before beginning installation of your Dock Locker, please review the parts list to verify that your shipment is complete.

The fastener quantities listed are the minimum required to complete the installation. Your shipment may have included extras.

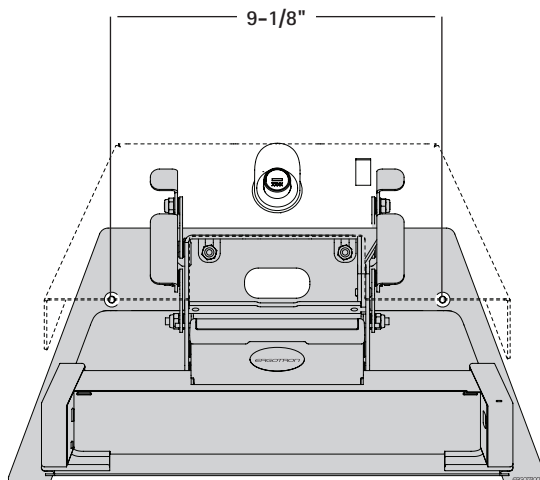
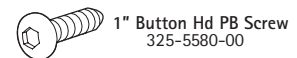
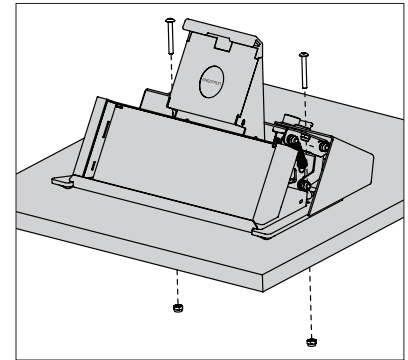
Product	Quantity	Part Number
01 Locker Assembly	1	835-MLD
A. Top Cap	1	225-4931-00
B. Bottom Plate	1	225-4957-00
02 #10-24 x 2.5" Bolt	2	325-5747-00
03 #10-24 Nylock Nut	2	325-5186-00
04 #10-9 x1" PB Screw (not shown)	2	325-5580-00

STEP 1 - SET THE DOCK LOCKER IN PLACE AND OPEN IT

- Select the installation location for your locker. Provide at least 5" of clearance behind the unit.
- Place the unit in its spot and open it. To unlock the unit, insert the key and turn. To open the unit, push the button on the lock and lift the cover back.
- IF YOU WILL SECURE YOUR LOCKER TO THE WORKSURFACE USING A BOLT-THROUGH OR SCREW-MOUNT METHOD, GO TO STEP 2.
- IF YOU WILL SECURE YOUR LOCKER TO THE WORKSURFACE WITH A SECURITY CABLE, OR IF YOU WILL NOT SECURE YOUR LOCKER, GO TO STEP 3.

STEP 2 - SECURE YOUR DOCK LOCKER WITH SCREW-MOUNT OR BOLT-THROUGH METHOD.

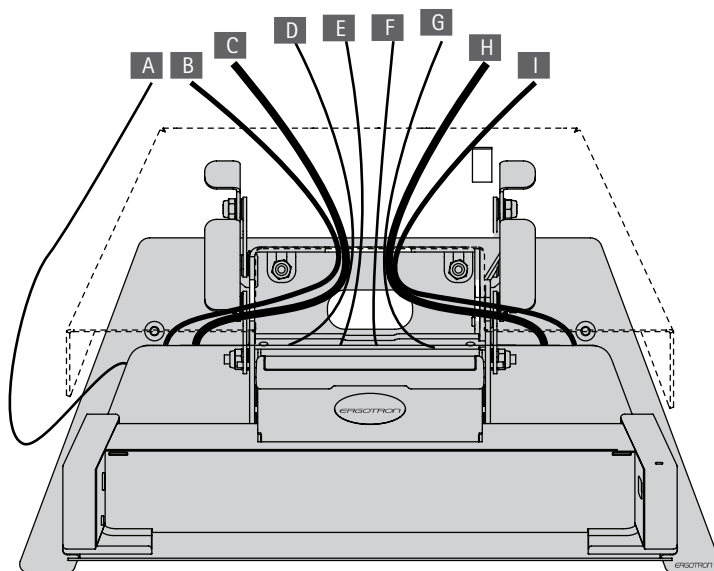
- Locate the two round installation holes near the back of the bottom plate. Mark the holes. Set aside the unit.
- Pre-drill the holes. For screw-mount installation, use a 1/8" drill bit to drill 1/2" into the worksurface. For bolt-through installation, use a 1/4" drill bit to drill all the way through the worksurface. For added security for your cords and cables, you can route them through the cord pass-through opening in the base plate. To use that pass-through, mark and drill an opening in your worksurface now.
- Attach the unit to the worksurface. For screw-mount installation, fasten the unit to the worksurface with two 1" PB screws (325-5580-00) using your drill and the Anthro driver bit provided. For bolt-through installation, slide one bolt (325-5747-00) through each hole in the bottom plate and through the worksurface. Capture with the #10-24 Nylock Nut (325-5186-00).



STEP 3

INSTALL YOUR DOCK AND SURFACE PRO 3 DEVICE

- Close the Locker. Feed the cords through the locker, either through the worksurface and into the bottom of the locker or through the back of the locker, in this order.
 - First, route cord A around the locker to the port on the left side of the dock.
 - Next, route cords B and C into the locker and through the left window in front of the spring.
 - Now, route cords H and I into the locker and through the right window.
 - Finally, route cords D, E, F, and G (USB) into the locker and under the cross piece in front of the spring.
- Connect cords to the docking station. Slide the docking station into the locker and gently pull excess cord length out of the locker. Slide the dock into place in the locker so the front of the dock rests just behind the lockers front lip, and the dock nests into the indentation in the bottom plate.
- Fit your Surface Pro 3 device into the dock. Press the side tabs closed so they fit securely into your device.
- Test the fit. First, slowly pull forward on the lock to close the unit. The top grip will slide over the top of the screen, and the cover will enclose the side tabs.
- Next, press the lock button and slowly open the unit. Check that the top grip releases the top of your screen. Check that the cover releases the side tabs on the dock.
- If you are using a security cable, install it now through the port on the top of the cover.



PORT GUIDE

A	USB 3.0
B	Audio
C	Gigabit Ethernet
D	USB 3.0
E	USB 3.0
F	USB 2.0
G	USB 2.0
H	Mini-display Port
I	Power

CONGRATULATIONS! YOUR ERGOTRON LOCKER INSTALLATION IS COMPLETE!

WARRANTY:

This Dock Locker is manufactured by Anthro Corporation and has a Lifetime Warranty against manufacturing defects.

Anthro branded products sold by Ergotron are warranted by the respective manufacturer which is Anthro Corporation, a wholly owned subsidiary of Ergotron Inc.

Notices:

Anthro reserves the right to modify the design and specifications without prior notice.

Microsoft and Surface are trademarks of the Microsoft group of companies.



300-5629-00

While Ergotron, Inc. makes every effort to provide accurate and complete information on the installation and use of its products, it will not be held liable for any editorial errors or omissions (including those made in the process of translation from English to another language), or for incidental, special or consequential damages of any nature resulting from furnishing this instruction and performance of equipment in connection with this instruction. Ergotron, Inc. reserves the right to make changes in the product design and/or product documentation without notification to its users. For the most current product information, or to know if this document is available in languages other than those herein, please contact Ergotron. No part of this publication may be reproduced, stored in a retrieval system, or transmitted in any form or by any means, electrical, mechanical, photocopying, recording or otherwise without the prior written consent of Ergotron, Inc. 1181 Trapp Road, Eagan, Minnesota, 5521, USA. Patents Pending and Patented U.S. & Foreign. Ergotron is a registered trademark of Ergotron, Inc.