



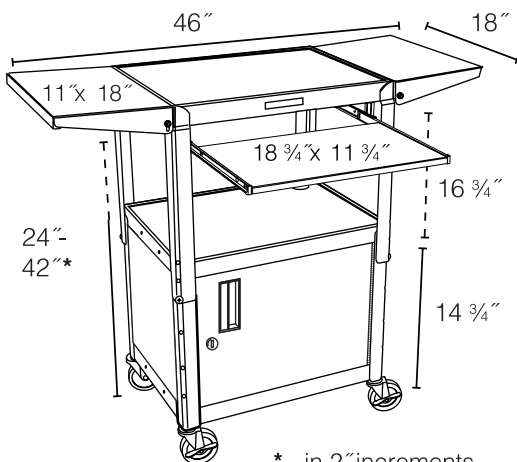
Adjustable Height Steel A/V Cart



AVJ42KBCDL-RB
24"W x 18"D x 42"H



- Multipurpose steel utility cart perfect for use with audio/video equipment and more
- Roll formed shelves with powder coat paint finish
- Tables are robotically-welded for stability, with easy-access cable holes to keep the cart clean, organized and safe
- Measures 24"W x 18"D x 42"H with adjustable height from 24" to 42" in 2" increments
- Drop leaf side shelves measure 11"W x 18"D
- .25" retaining lip borders flat shelves
- Locking cabinet made from durable 20-gauge steel with inner dimensions of 24"W x 17.5"D x 16.625"H, featuring reinforced locking doors with full length piano hinges
- Rolling cart with four 4" silent roll, full swivel ball bearing casters, two with locking brake
- Three-outlet, 15' UL and CSA listed electrical assembly with cord plug snap



* - in 2" increments

**MADE IN
USA**