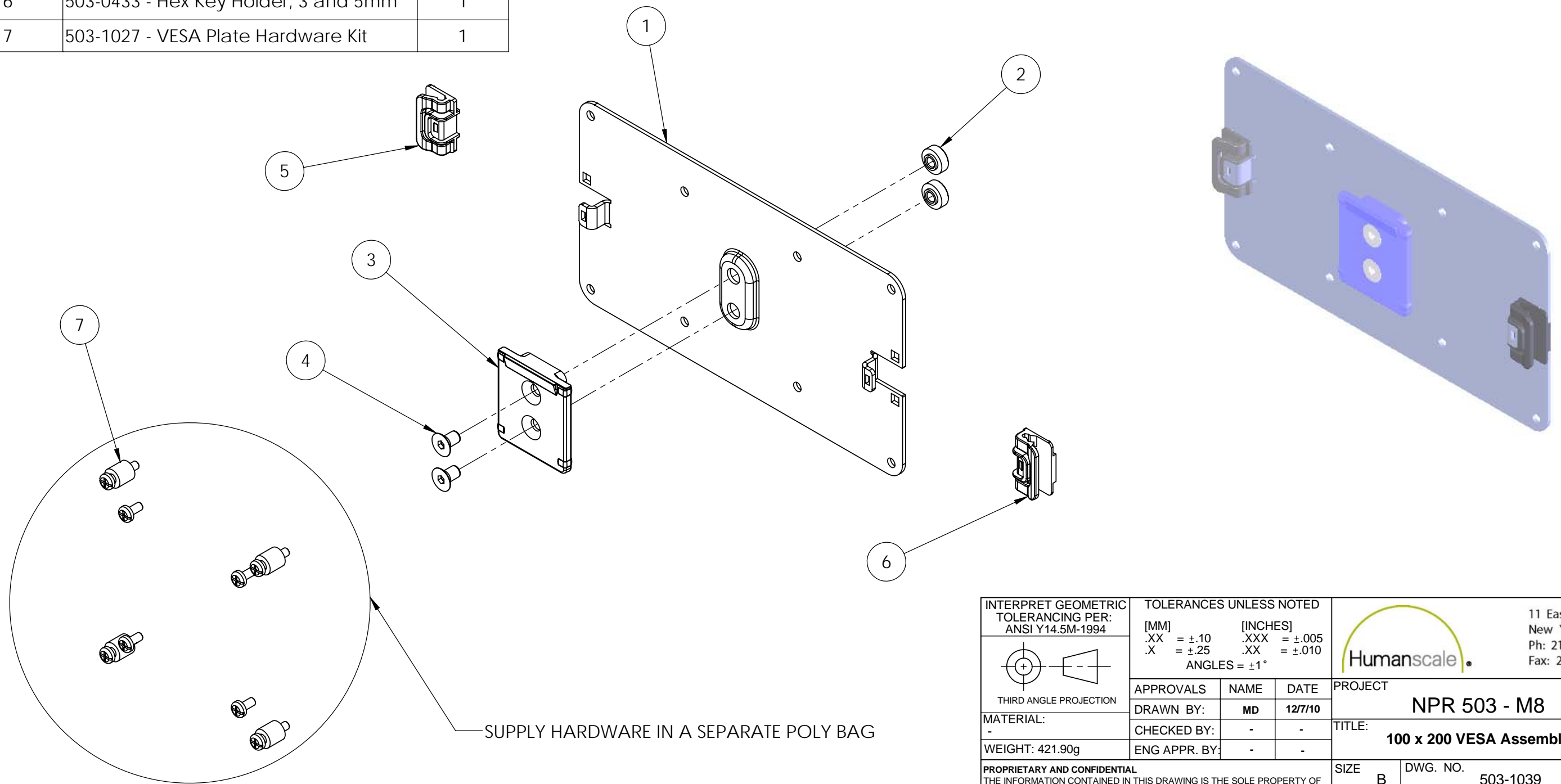


ITEM NO.	PART NUMBER	Default/ QTY.
1	503-0220 - 100 x 200 VESA Plate	1
2	503-0805 - Captive Nut	2
3	503-0413 - VESA Alignment Glide	1
4	503-0827 - FHCS M6, 10 mm	2
5	503-0416 - Hex Key Holder, 4 mm	1
6	503-0433 - Hex Key Holder, 3 and 5mm	1
7	503-1027 - VESA Plate Hardware Kit	1

REV.	DESCRIPTION	ECN#	DATE	APPROVED
0	INITIAL PRODUCTION RELEASE	503-0005	12/7/2010	MD



SUPPLY HARDWARE IN A SEPARATE POLY BAG

INTERPRET GEOMETRIC TOLERANCING PER: ANSI Y14.5M-1994 THIRD ANGLE PROJECTION	TOLERANCES UNLESS NOTED [MM] [INCHES] .XX = ±.10 .XXX = ±.005 .X = ±.25 .XX = ±.010 ANGLES = ±1°		11 East 26th Street New York, NY 1001C Ph: 212-725-4579 Fax: 212-725-4745
	APPROVALS NAME DATE DRAWN BY: MD 12/7/10	PROJECT NPR 503 - M8	
MATERIAL: -	CHECKED BY: - -	TITLE: 100 x 200 VESA Assembly	
WEIGHT: 421.90g	ENG APPR. BY: - -	SIZE DWG. NO. REV B 503-1039 0	SCALE: 1:2 DWG. REQ. NO. - SHEET 1 OF 1
PROPRIETARY AND CONFIDENTIAL THE INFORMATION CONTAINED IN THIS DRAWING IS THE SOLE PROPERTY OF HUMANSCALE. ANY REPRODUCTION OR DISTRIBUTION IN PART OR AS A WHOLE WITHOUT THE WRITTEN PERMISSION OF HUMANSCALE IS PROHIBITED.			