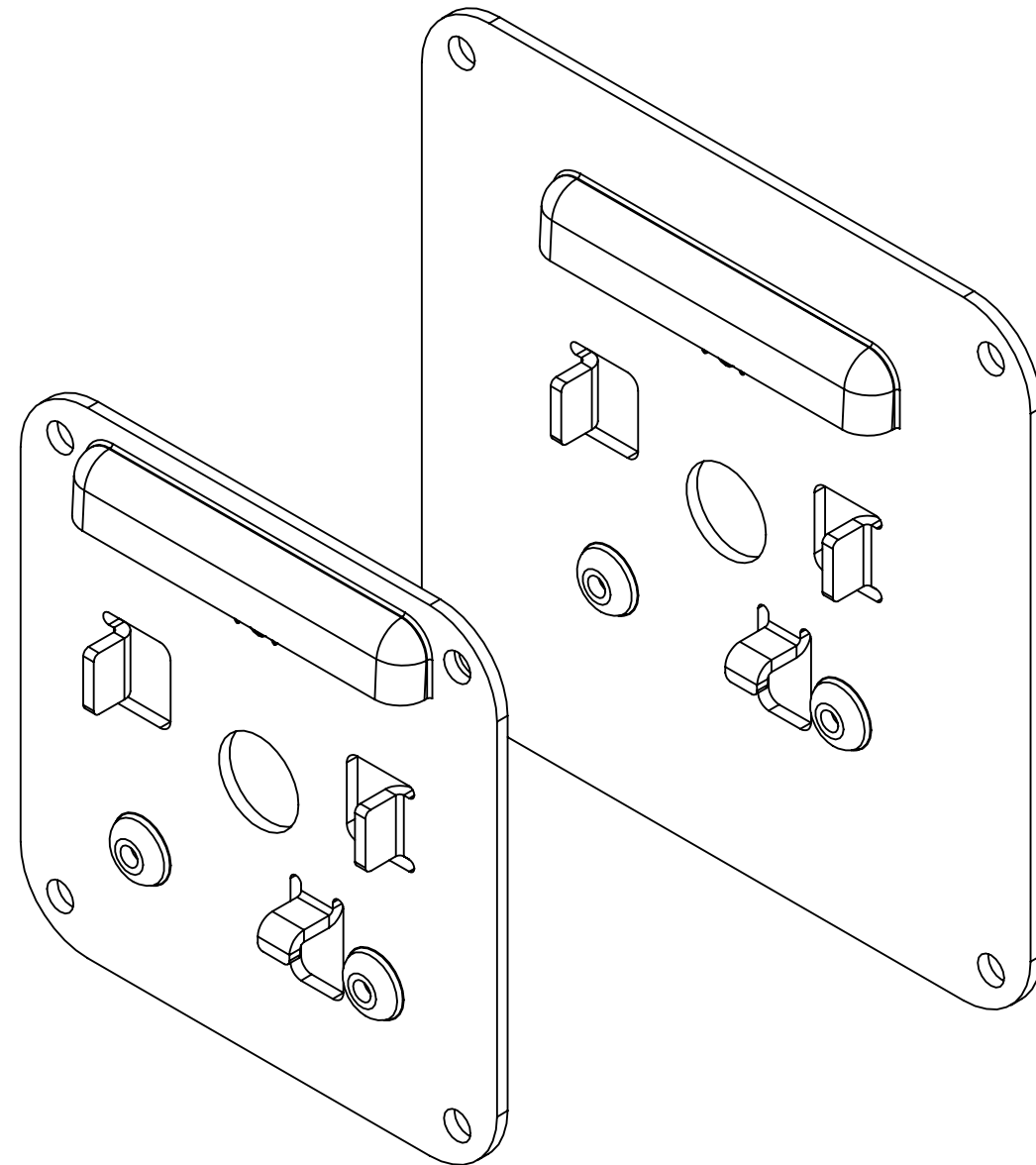


ITEM NO.	PART NUMBER	QTY.
1	45-0203 Mounting Plate, VESA, 75	1
2	45-0204 Mounting Plate, VESA, 100	1
3	58-017 M4 Combination Cheese Head, 14mm	2
4	58-016 M4 Combination Cheese Head, 8mm	4

Ⓑ

REV.	DESCRIPTION	DATE	BY
A	Changed drawing number from 45-1012. 45-1057 is what has been used in production.	2/18/2009	MW
B	UPDATED HEAD STYLE TO CHEESE HEAD FROM PAN	10/23/2009	JTT



NOTE:

1. PACKAGE SCREWS IN POLY BAG
2. PACKAGE EACH PLATE IN INDIVIDUAL POLY BAG
3. PACKAGE ALL THREE BAGS IN BUBBLE BAG

INTERPRET GEOMETRIC TOLERANCING PER: ANSI Y14.5M-1994

THIRD ANGLE PROJECTION

TOLERANCES UNLESS NOTED

[MM]	[INCHES]
.XX = ±.10	.XXX = ±.005
.X = ±.25	.XX = ±.010
ANGLES = ±1°	

11 East 26th Street
New York, NY 10010
Ph: 212-725-4579
Fax: 212-725-4745

APPROVALS	NAME	DATE
DRAWN BY:	MAS	10 Dec 04
CHECKED BY:	DR	18 Feb 09
ENG APPR. BY:	MW	18 Feb 09

PROJECT	M7
TITLE:	VESA Plate Hardware Kit

PROPRIETARY AND CONFIDENTIAL
THE INFORMATION CONTAINED IN THIS DRAWING IS THE SOLE PROPERTY OF HUMANSCALE. ANY REPRODUCTION OR DISTRIBUTION IN PART OR AS A WHOLE WITHOUT THE WRITTEN PERMISSION OF HUMANSCALE IS PROHIBITED.

SIZE	B	DWG. NO.	45-1057	REV	B
SCALE:	1:1	DWG. REQ. NO.	-	SHEET 1 OF 1	