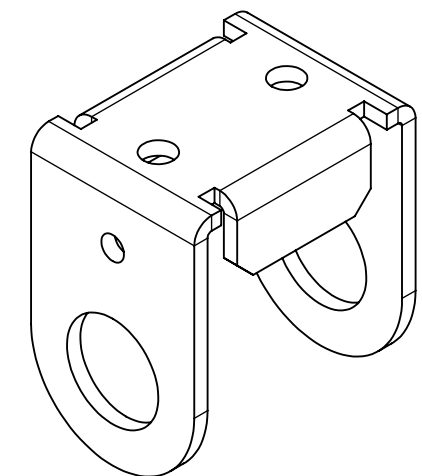
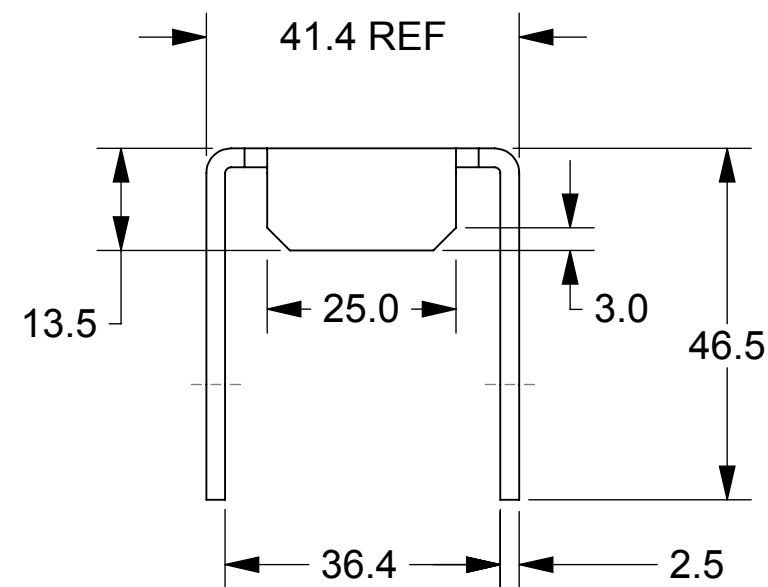
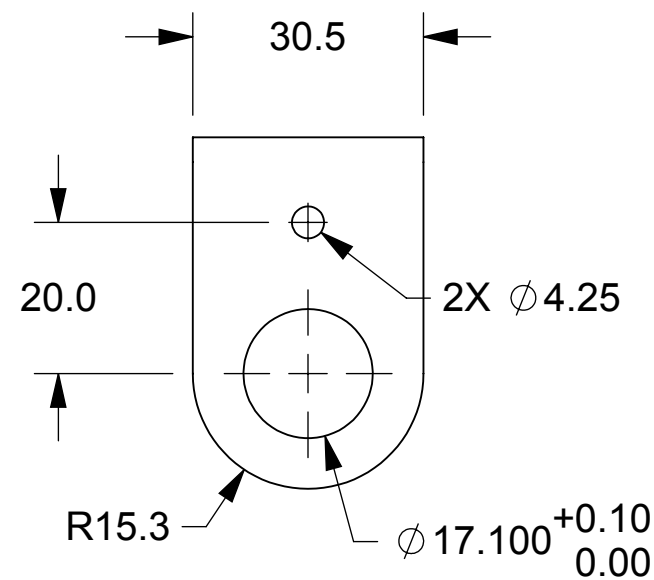
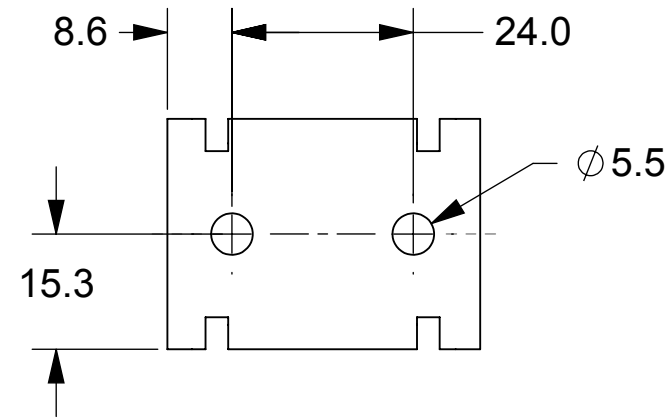


REV.	DESCRIPTION	DATE	BY
1	PRODUCTION RELEASE - WAS 67-002	6/8/2005	MAS
2	4.25 DIA. WAS 5.5	7/26/2006	DM



- NOTES:  
 1. FINISH: NONE  
 2. REMOVE ALL SHARP EDGES AND BURRS  
 3. REMOVE ALL DIRT, OIL, AND OTHER SURFACE CONTAMINATION

TOLERANCES UNLESS NOTED  
 mm [INCHES]  
 .XX =  $\pm 0.10$  .XXX =  $\pm 0.005$   
 .X =  $\pm 0.25$  .XX =  $\pm 0.010$   
 ANGLES =  $\pm 1^\circ$

**Humanscale**

11 East 26th Street, NYC, NY 10010  
 TEL: 212 725 4749, FAX: 212 725 7545

MATERIAL  
 Cold Rolled Steel

PROJECT

**M7**

WEIGHT  
 70.18 g

TITLE

Mount, Ball, Rotating Lock

DRAWN BY  
 MAS

DATE  
 08 Jun 05

DO NOT SCALE DRAWING

SHEET OF  
 1 1

SCALE  
 1:1

DRAWING NO.  
 45-0238

B

PROPRIETARY AND CONFIDENTIAL  
 THE INFORMATION CONTAINED IN THIS DRAWING IS THE SOLE PROPERTY OF HUMANSCALE. ANY REPRODUCTION OR DISTRIBUTION IN PART OR AS A HOLE WITHOUT THE WRITTEN PERMISSION OF HUMANSCALE IS PROHIBITED.