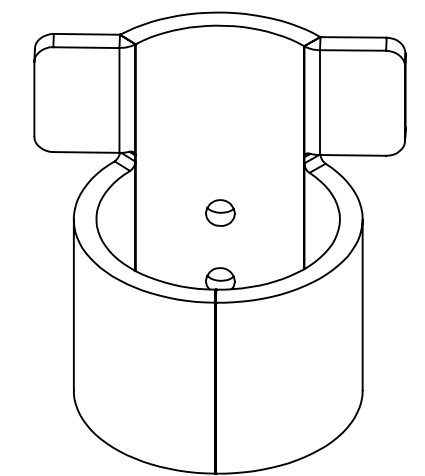
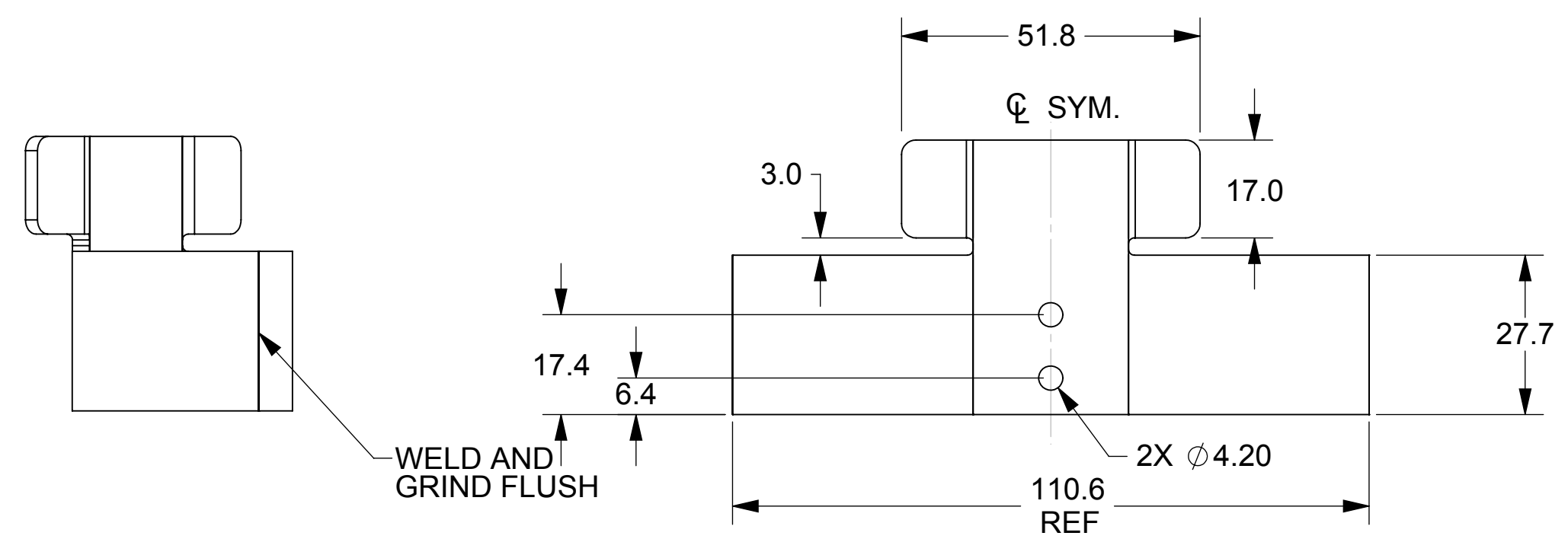


REV.	DESCRIPTION	DATE	BY
------	-------------	------	----



- NOTES:  
 1. FINISH: M7 BLACK OR SILVER PER ORDER  
 2. REMOVE ALL SHARP EDGES AND BURRS  
 3. REMOVE ALL DIRT, OIL, AND OTHER SURFACE CONTAMINATION

TOLERANCES UNLESS NOTED  
 mm [INCHES]  
 .XX = ±.10 .XXX = ±.005  
 .X = ±.25 .XX = ±.010  
 ANGLES = ±1°

MATERIAL  
Cold Rolled Steel  
 WEIGHT  
93.42 g  
 DRAWN BY  
DM  
 DATE  
1 Feb 2006

DO NOT SCALE DRAWING

# Humanscale

11 East 26th Street, NYC, NY 10010  
 TEL: 212 725 4749, FAX: 212 725 7545

PROJECT  
**M7**

TITLE  
180 Arm Stop, Top Mount

SHEET	OF	SCALE	DRAWING NO.	
1	1	1:1	45-0274	B

PROPRIETARY AND CONFIDENTIAL  
 THE INFORMATION CONTAINED IN THIS DRAWING IS THE SOLE PROPERTY OF HUMANSCALE. ANY REPRODUCTION OR DISTRIBUTION IN PART OR AS A HOLE WITHOUT THE WRITTEN PERMISSION OF HUMANSCALE IS PROHIBITED.