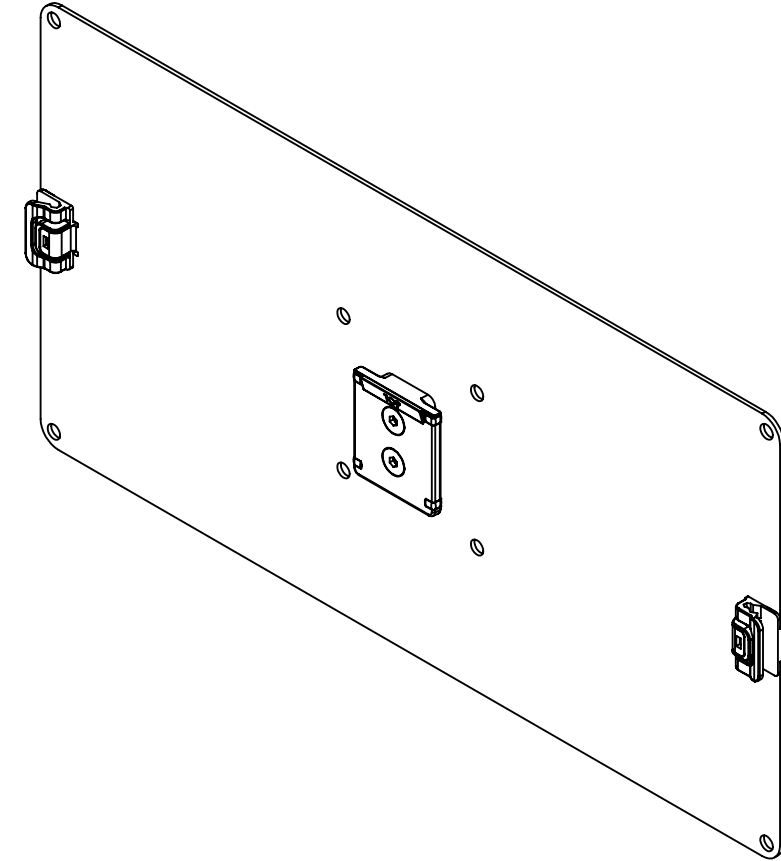
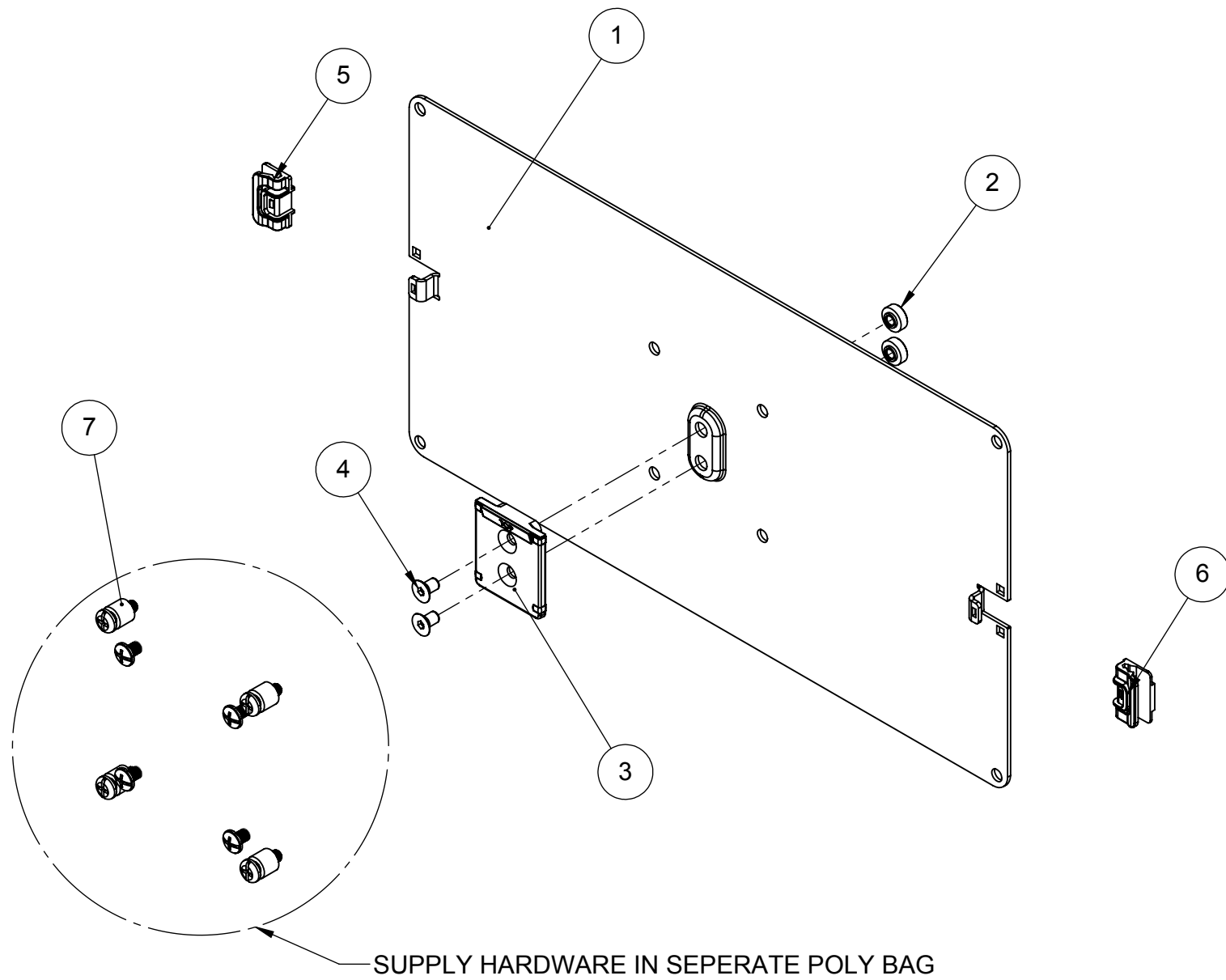
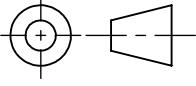



ITEM NO.	PART NUMBER	QTY.
1	503-0221 - 200 x 400 VESA Plate	1
2	503-0805 - Captive Nut	2
3	503-0413 - VESA Alignment Glide	1
4	503-0827 - FHCS M6, 10 mm	2
5	503-0416 - Hex Key Holder, 4 mm	1
6	503-0433 - Hex Key Holder, 3 and 5mm	1
7	503-1038 - Large VESA Plate M6 Hardware Kit	1

REV.	DESCRIPTION	ECN#	DATE	APPROVED
0	PRODUCTION RELEASE	4/30/2012	4/30/12	RP



INTERPRET GEOMETRIC TOLERANCING PER: ANSI Y14.5M-1994  THIRD ANGLE PROJECTION	TOLERANCES UNLESS NOTED MM [INCHES] .XX = ±.10 .XXX = ±.005 .X = ±.25 .XX = ±.010 ANGLES = ±1°		 11 East 26th Street New York, NY 10010 Ph: 212-725-4579 Fax: 212-725-4745
	APPROVALS DRAWN BY: RP CHECKED BY: - ENG APPR. BY: -	NAME DATE: 4-30-12	
MATERIAL: - WEIGHT:	SIZE: B DWG. NO.: 503-1040 SCALE: 1:3	REV: 0 DWG. REQ. NO.: - SHEET 1 OF 1	PROPRIETARY AND CONFIDENTIAL THE INFORMATION CONTAINED IN THIS DRAWING IS THE SOLE PROPERTY OF HUMANSCALE. ANY REPRODUCTION OR DISTRIBUTION IN PART OR AS A WHOLE WITHOUT THE WRITTEN PERMISSION OF HUMANSCALE IS PROHIBITED.