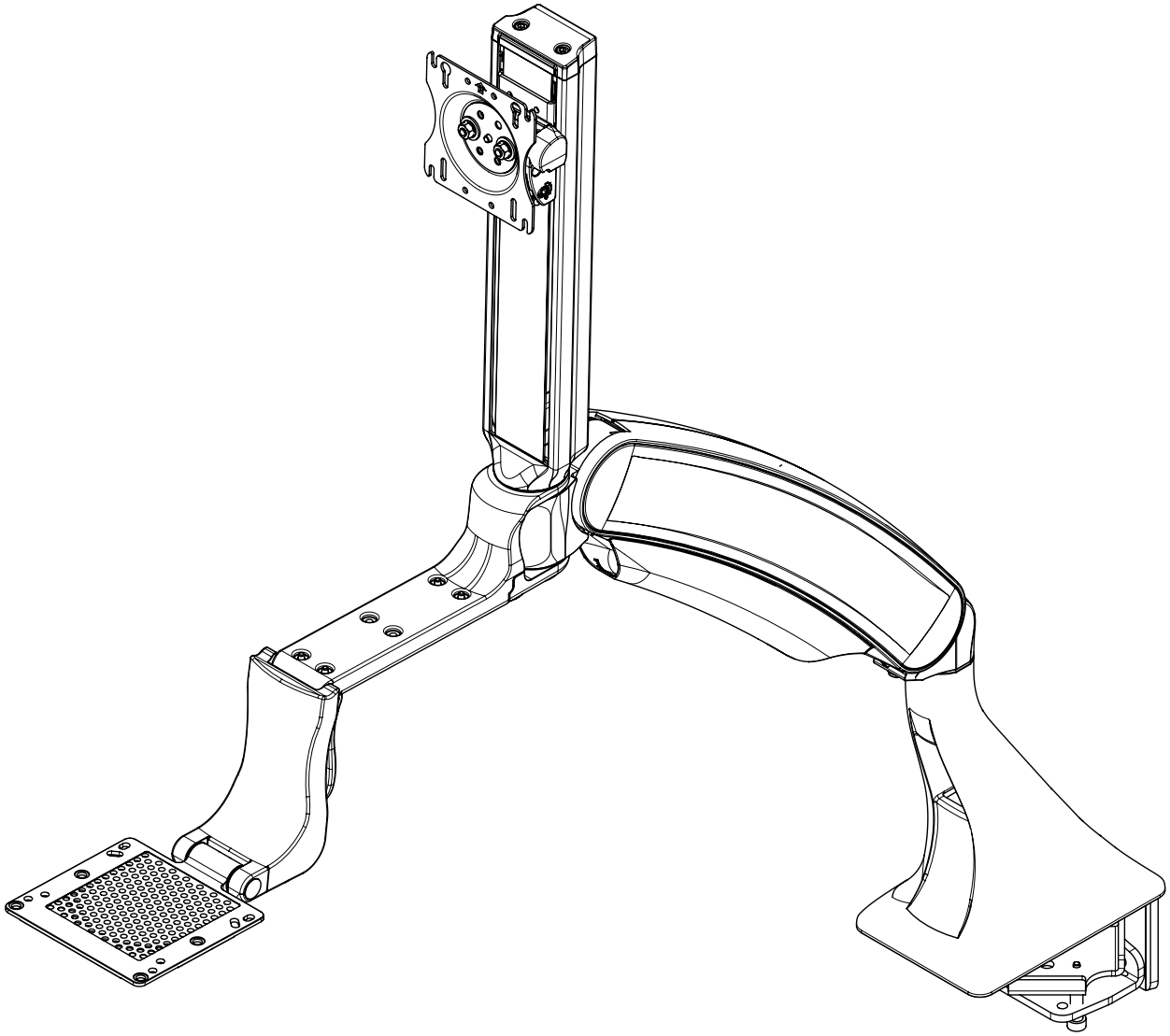


INSTALLATION MANUAL FOR SIT-STAND WORKSTATION

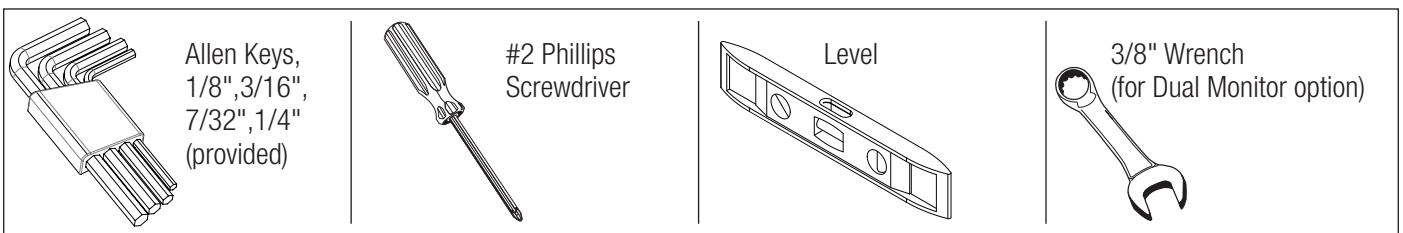


Weight Capacity: 5-25 lbs.
Monitor Weight: 5-20 lbs.

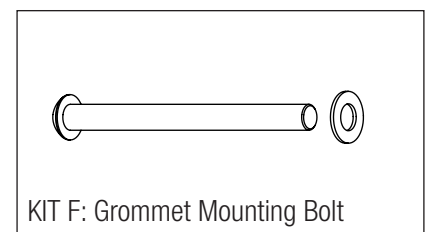
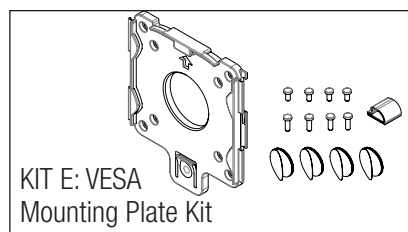
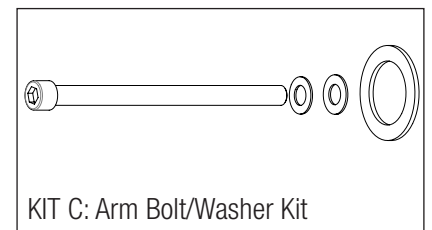
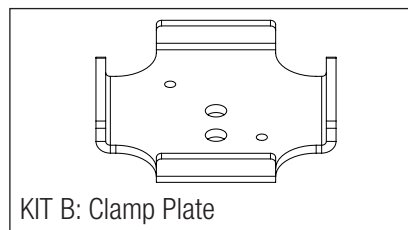
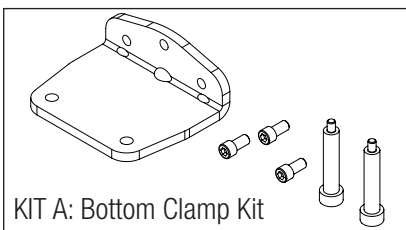
Contents

Tools Required / Supplied Part Kits / Warnings/Disclaimer	2	Keyboard Storage Stop	6
Base Mounting Orientation		Installing the Monitor	6
Clamp Mount Base Orientation	3	Cable Management Installation.....	7
Grommet Mount Base Orientation	4	Arm Counterbalance Adjustments	7
Attaching the Arm to the base	5	Tray Leveling Adjustments (Left to Right)	8
Installing Keyboard Tray Head Assembly	5	Tension Adjustment for the Monitor	8
Keyboard Tilt.....	6	Monitor Tilt Tension Adjustment	8

Tools Required



Supplied Part Kits



Warnings/Disclaimers

INSTALLATION WARNINGS:

- Read the entire instruction manual before beginning any installation or assembly.
- The installer must verify that the attachment surface can safely support the combined weight of all the attached equipment and hardware.
- Improper installation of this product may cause extensive property damage or serious personal injury, either during or after installation.

DISCLAIMER:

- The manufacturer will bear no responsibility for any damages of any kind arising from improper installation of this product.
- Work surfaces will vary widely and the ultimate method of mounting/installing is out of the manufacturers control, it is imperative that the installer consult the work surface installation guide to ensure that it can safely handle the applied load.

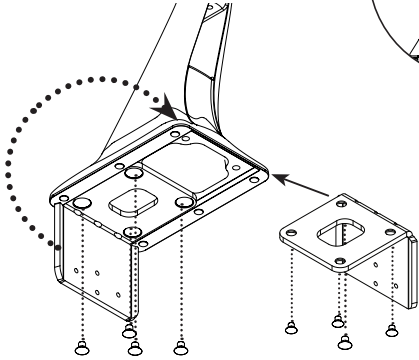
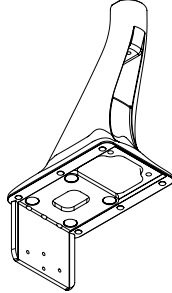
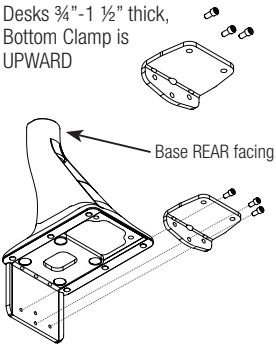
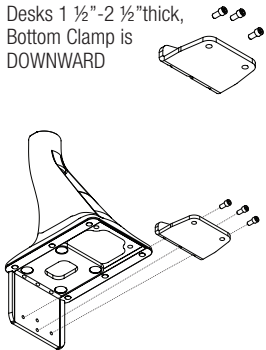
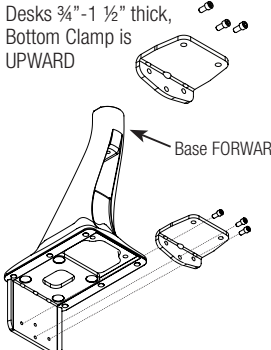
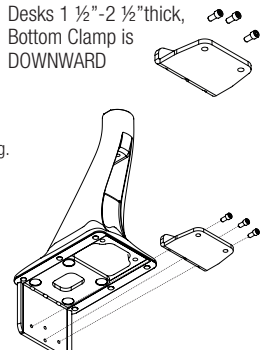
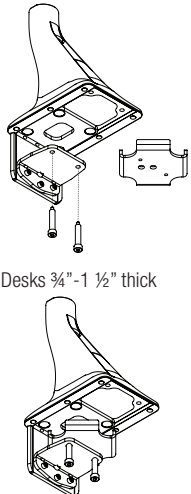
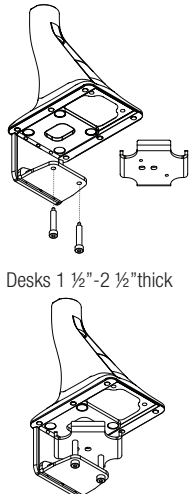
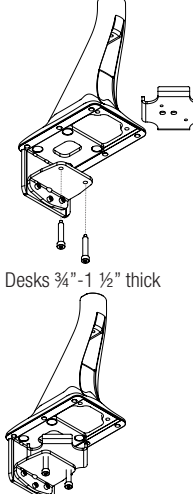
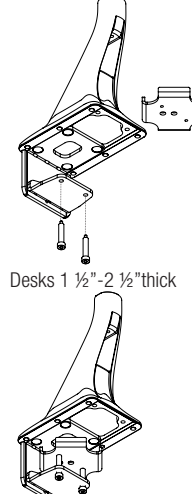
- In no way will the manufacturer be held liable for any damage to the monitor, property or personal injury should an outside force either intentionally or unintentional be applied to the monitor or monitor mounting bracket

ADJUSTMENT NOTIFICATION:

- Routine maintenance checks and adjustments are suggested to properly support the quality and optimal performance of this product. Refer to adjustment suggestions on last page of booklet, or contact your distributor for further detailed information.
- Over tightening of bolts during installation or adjustments can damage the product and affect the function and warranty.

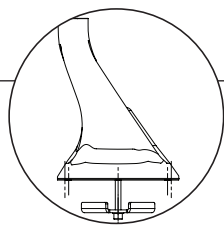
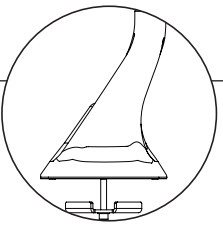
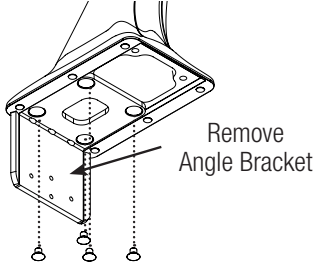
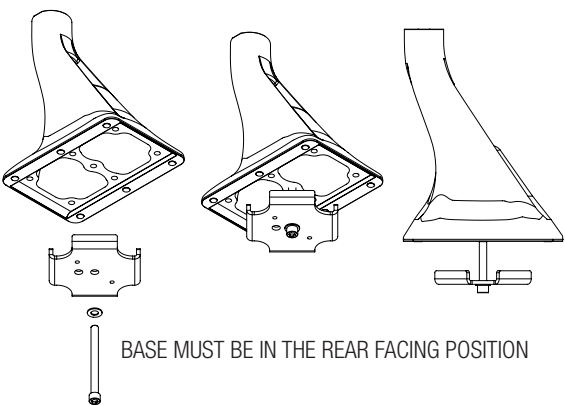
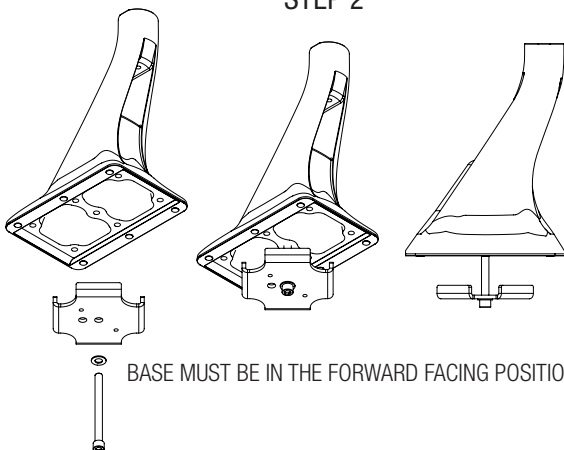
Clamp Mount Base Orientation

The unit can be installed on a 24" or 30" deep rectangular or corner desk using the integral desk clamp or grommet mounting hardware provided. The factory setting is for a 30" deep desk clamp mount application.

24" DEEP DESK INSTALL THE BASE REAR FACING	30" DEEP DESK INSTALL THE BASE FORWARD FACING	32"+	
<p>STEP 1</p>  <p>Reverse the angle bracket. Take the base assembly from the box. Use the 7/32" Allen Key to remove the four screws holding the angle bracket to the base. Reposition the angle bracket per the drawing and re-secure the angle bracket with the four screws just removed.</p>	<p>STEP 1</p>  <p>Base is already in the forward facing position (factory preset). Proceed to STEP 2.</p>	<p>STEP 1 N/A</p>	
<p>STEP 2</p> <p>Place the base in the desired location at the back of the desk. The angle bracket should slide down the back of the desk.</p>			<p>STEP 2 N/A</p>
<p>STEP 3</p> <p>Desks $\frac{3}{4}$"-1 $\frac{1}{2}$" thick, Bottom Clamp is UPWARD</p>  <p>Desks 1 $\frac{1}{2}$"-2 $\frac{1}{2}$" thick, Bottom Clamp is DOWNWARD</p>  <p>Base REAR facing.</p>	<p>STEP 3</p> <p>Desks $\frac{3}{4}$"-1 $\frac{1}{2}$" thick, Bottom Clamp is UPWARD</p>  <p>Desks 1 $\frac{1}{2}$"-2 $\frac{1}{2}$" thick, Bottom Clamp is DOWNWARD</p>  <p>Base FORWARD facing.</p>	<p>STEP 3 N/A</p>	
<p>Using KIT A: Bottom Clamp Kit - attach bottom clamp to the angle bracket with the three 1/2" socket head cap screws. Tighten with 3/16" Allen Key.</p>			
<p>STEP 4</p> <p>Desks $\frac{3}{4}$"-1 $\frac{1}{2}$" thick</p>  <p>Desks 1 $\frac{1}{2}$"-2 $\frac{1}{2}$" thick</p> 	<p>STEP 4</p> <p>Desks $\frac{3}{4}$"-1 $\frac{1}{2}$" thick</p>  <p>Desks 1 $\frac{1}{2}$"-2 $\frac{1}{2}$" thick</p> 	<p>STEP 4 N/A</p>	
<p>Insert the two 2" bolts into the bottom clamp. Position the clamp plate (KIT B: Clamp Plate) - facing up over the tips of the bolts. Tighten alternatively each bolt to 75 in/lbs. with the 7/32" Allen Key to firmly secure the base to the desk.</p>			

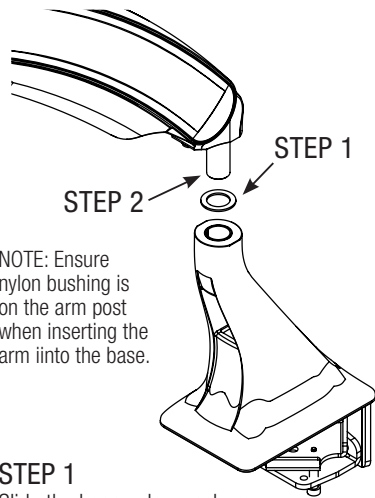
Grommet Mount Base Orientation

If installer is drilling their own hole, ensure that the diameter is a minimum of 1/2".

	24" DEEP DESK INSTALL THE BASE REAR FACING	30" DEEP DESK INSTALL THE BASE FORWARD FACING		32"+	
<p>STEP 1 SAME FOR 24" & 30"</p>  <p>Remove Angle Bracket</p> <p>Take the base assembly from the box and remove the angle bracket (not used in a grommet application). Use the 7/32" Allen Key to remove the four screws holding the angle bracket to the base.</p>					<p>STEP 1</p> <p>See 30" DEEP DESK Base should be forward facing</p>
<p>STEP 2</p>  <p>BASE MUST BE IN THE REAR FACING POSITION</p>		<p>STEP 2</p>  <p>BASE MUST BE IN THE FORWARD FACING POSITION</p>		<p>STEP 2</p> <p>See 30" DEEP DESK Base should be forward facing</p>	
<p>Insert the grommet bolt through the washer (KIT C: Arm Bolt/Washer Kit) and upward facing clamp plate (KIT B: Clamp Plate). From under the desk insert the grommet bolt assembly through the desk into the center hole of the base. Use 7/32" Allen Key tighten and secure to 75 in/lbs.</p>					

Attaching the Arm to the Base

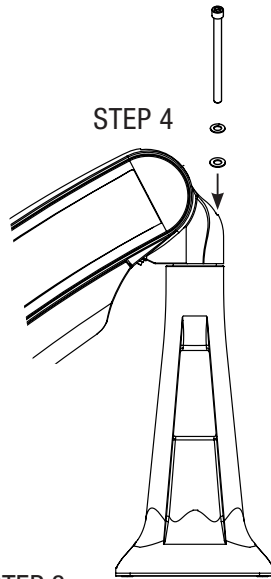
With the base already installed



NOTE: Ensure nylon bushing is on the arm post when inserting the arm into the base.

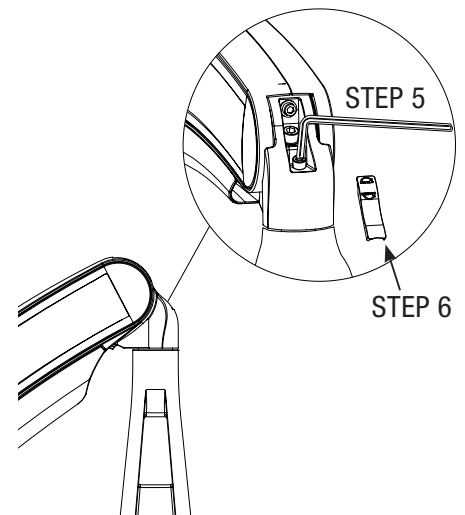
STEP 1
Slide the large nylon washer (**KIT C: Arm Bolt/Washer Kit**) over the bottom pin of the arm.

STEP 2
Set the main arm pin into the base.



STEP 3
With arm in the lowest position remove the plastic cap at the back of the arm.

STEP 4
Keeping the arm in lowest position, insert the bolt/washer assembly (**KIT C: Arm Bolt/Washer Kit**) into the back of the arm.



STEP 5
Keeping the arm down tighten the bolt with the 7/32" Allen Key until bolt is seated. Tighten or loosen bolt to obtain desired resistance for left to right arm movement.

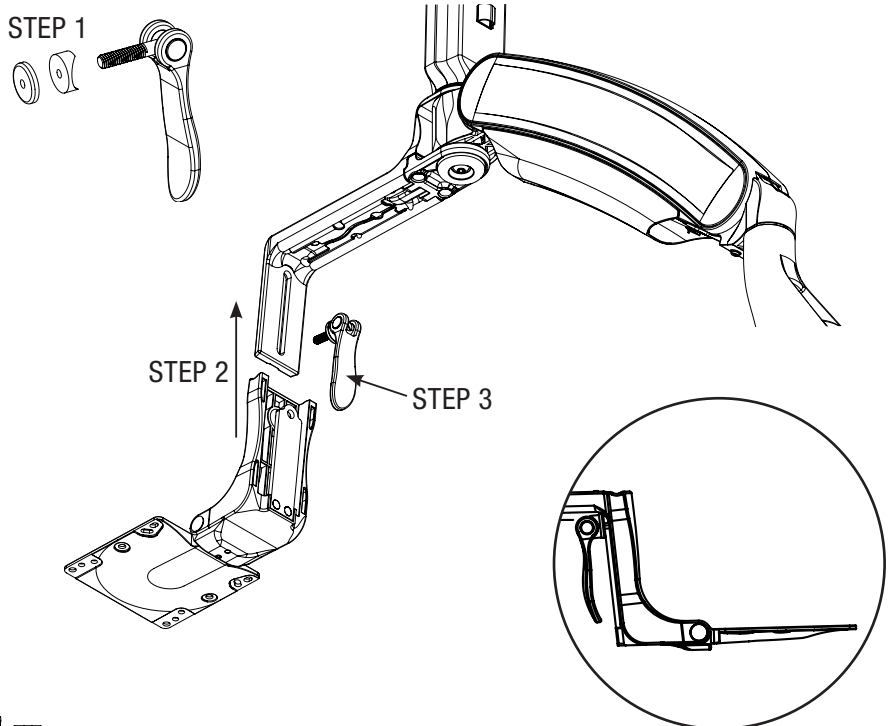
STEP 6
Replace the trim cap at the back of the arm.

Installing Keyboard Tray Head Assembly

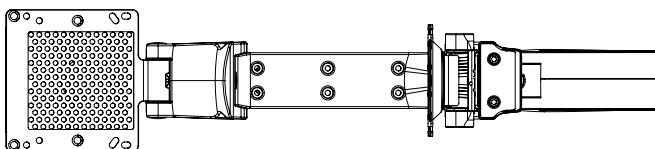
STEP 1
Ensure the nylon and steel washer are loaded on the cam lever assembly, (**KIT D: Cam Lever Kit**) as shown. Remove cardboard retaining clip.

STEP 2
Slide the keyboard tray head into place as shown.

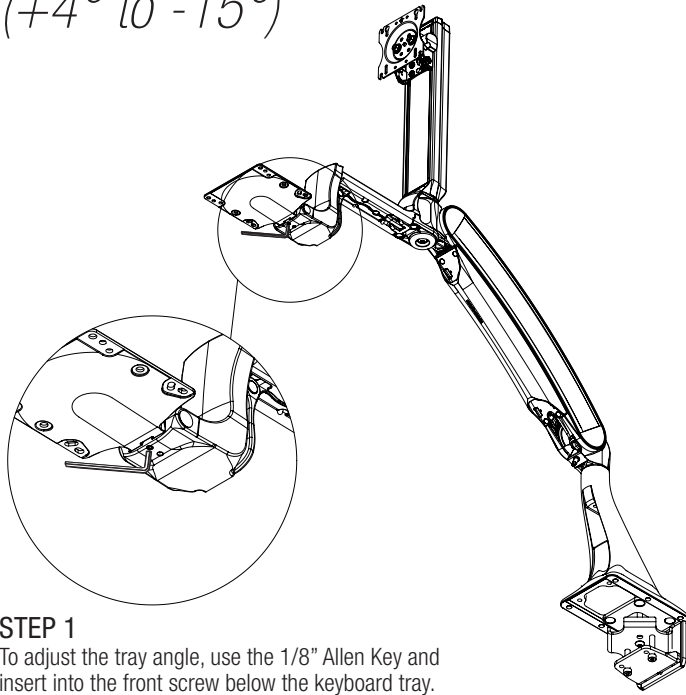
STEP 3
Insert the threaded portion of the cam lever assembly into the threaded hole of the tray and tighten. The cam lever should be tightened until snug. The lever should be stored in the downward position. Releasing and securing the cam lever will allow for independent keyboard tray height adjustment.



See owner's installation manual of your optional tray for proper installation.



Keyboard Tilt (+4° to -15°)



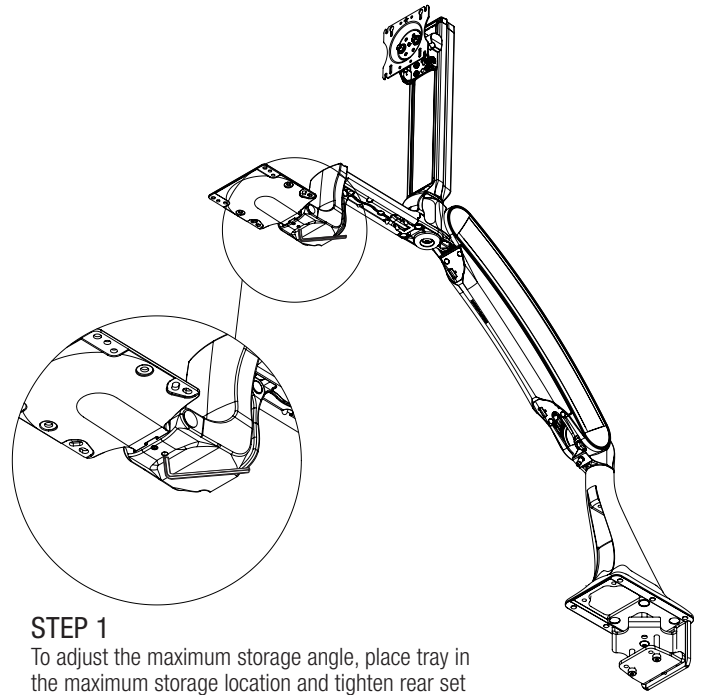
STEP 1

To adjust the tray angle, use the 1/8" Allen Key and insert into the front screw below the keyboard tray.

STEP 2

Place tray in desired tilt and adjust set screw to maintain the tray angle.

Keyboard Storage Stop

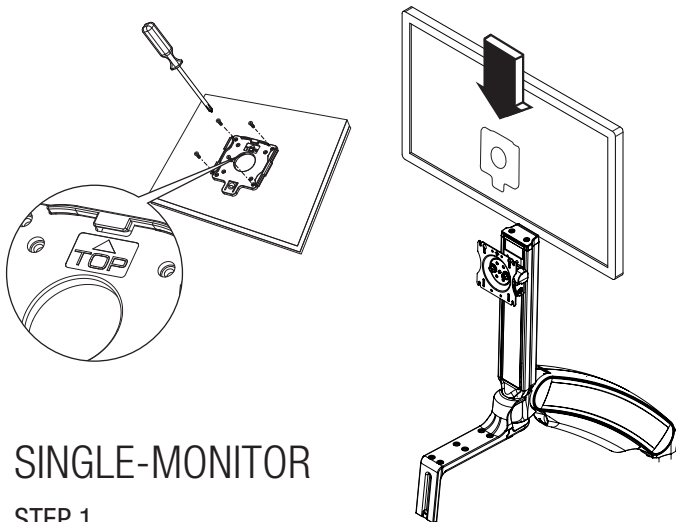


STEP 1

To adjust the maximum storage angle, place tray in the maximum storage location and tighten rear set screw with the 1/8" Allen Key.

Installing the Monitor (5 lbs. to 20 lbs.)

For this step, the installer needs to determine if they wish to use the Quick Connect adapter supplied or mount the monitor directly to the VESA mount on the Float Tower.



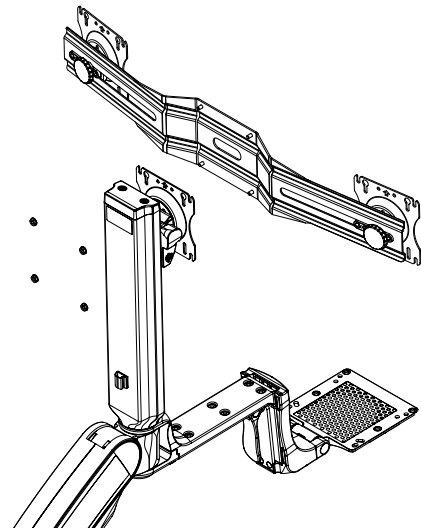
SINGLE-MONITOR

STEP 1

If using Quick Connect adapter, mount the Quick Connect adapter (**Kit E**: VESA Mounting Plate Kit) to back of the monitor with the M4 pan head screws provided. Use a #2 Phillips screwdriver to secure screws. Lift monitor into position and slide the Quick Connect onto the VESA.

STEP 2

If not using the Quick Connect adapter, mount the monitor directly to the VESA plate on the Float Tower with the supplied M4 pan head screws provided. Use a #2 Phillips screwdriver to secure.



DUAL-MONITOR (Optional Dual Monitor Kit)

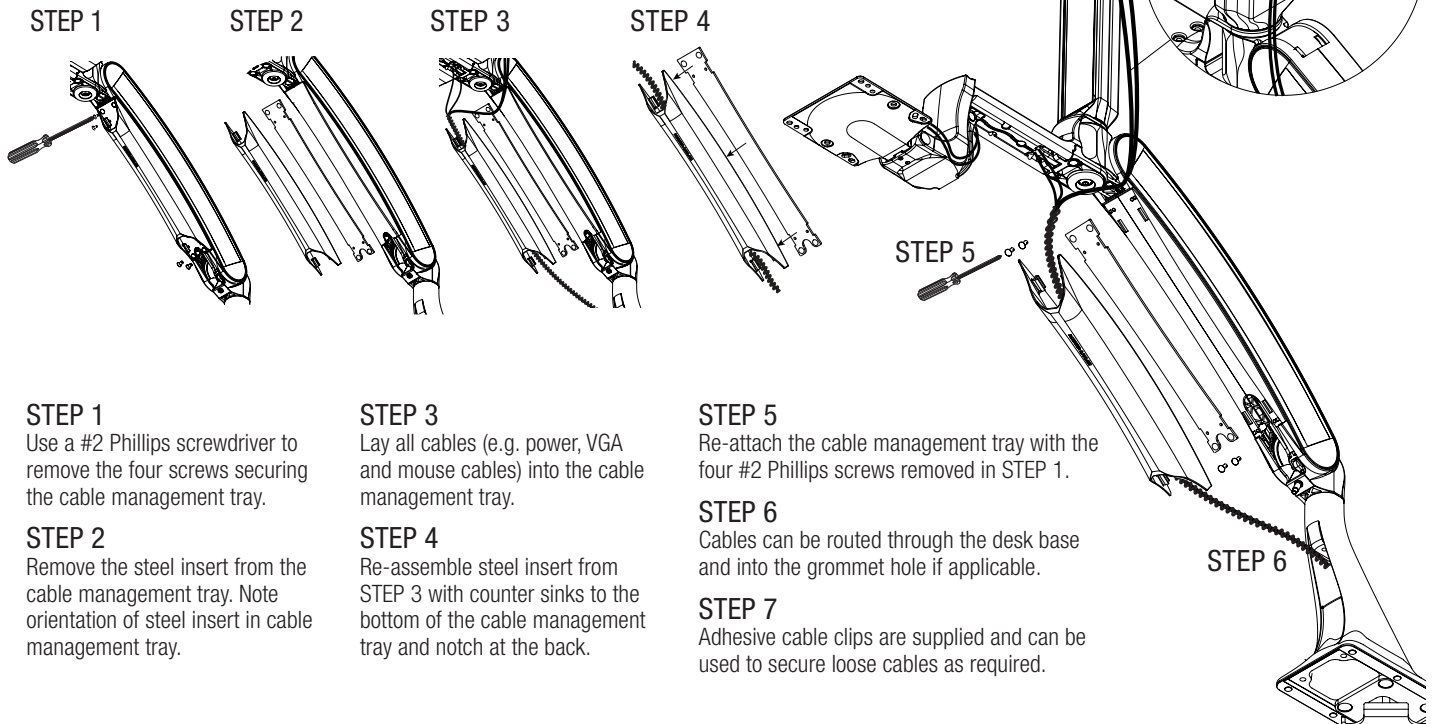
STEP 1

Attach the dual bracket to the Float Tower VESA with the hardware provided in the Dual Monitor Kit. To attach monitors see steps for single-monitor.

NOTE: Adjustable bracket supports most 24" monitors weighing up to 8 lbs. each.

Cable Management Installation

After the technology has been installed, ensure there is enough slack in the cables from the monitor, keyboard and mouse along with any other peripherals.



STEP 1
Use a #2 Phillips screwdriver to remove the four screws securing the cable management tray.

STEP 2
Remove the steel insert from the cable management tray. Note orientation of steel insert in cable management tray.

STEP 3
Lay all cables (e.g. power, VGA and mouse cables) into the cable management tray.

STEP 4
Re-assemble steel insert from STEP 3 with counter sinks to the bottom of the cable management tray and notch at the back.

STEP 5
Re-attach the cable management tray with the four #2 Phillips screws removed in STEP 1.

STEP 6
Cables can be routed through the desk base and into the grommet hole if applicable.

STEP 7
Adhesive cable clips are supplied and can be used to secure loose cables as required.

Arm Counterbalance Adjustments

Arm adjustment is to be made after all technology has been installed from 5 lbs. to 20 lbs.

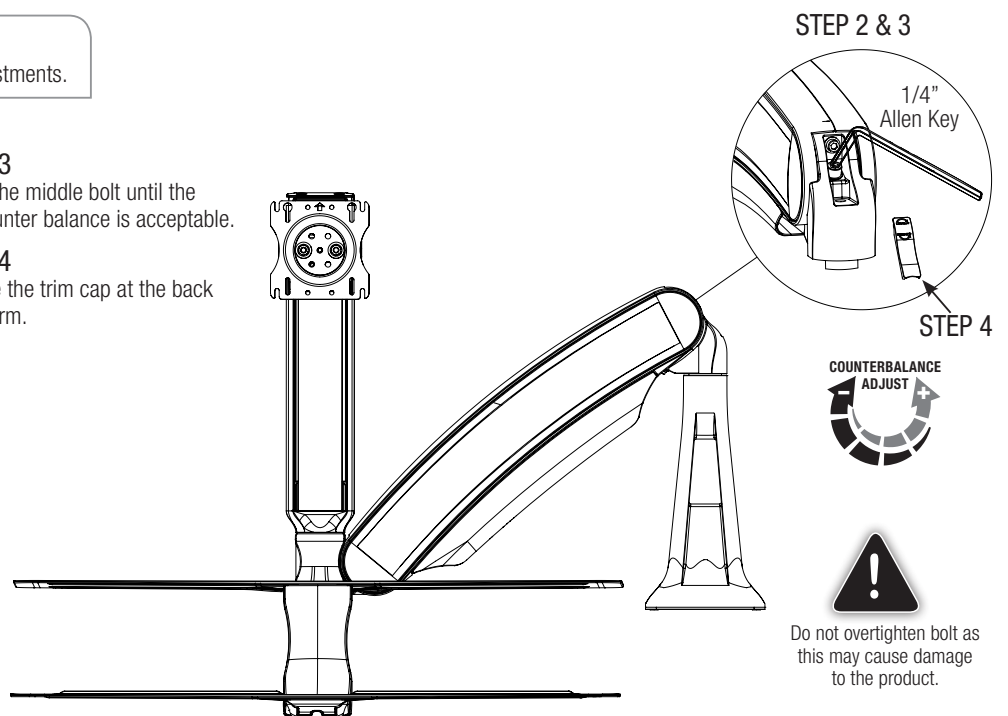
ATTENTION:
Arm must be held down to perform this adjustments.

STEP 1
Remove the trim cap at the back of the arm.

STEP 2
Use the 1/4" Allen Key to turn the middle bolt at the back of the arm. Turning the bolt clockwise decreases the spring force reducing the counter balance load. Turning the bolt counterclockwise increases the spring force increasing the counter balance load.

STEP 3
Adjust the middle bolt until the arm counter balance is acceptable.

STEP 4
Replace the trim cap at the back of the arm.



Tray Leveling adjustments (Left to Right)

Tray adjustment is to be made after all technology has been installed.

ATTENTION:

Tray must be parallel to the work surface and swiveled 90° to the base when adjusting.

STEP 1

Remove the trim cap at the back of the arm.

STEP 2

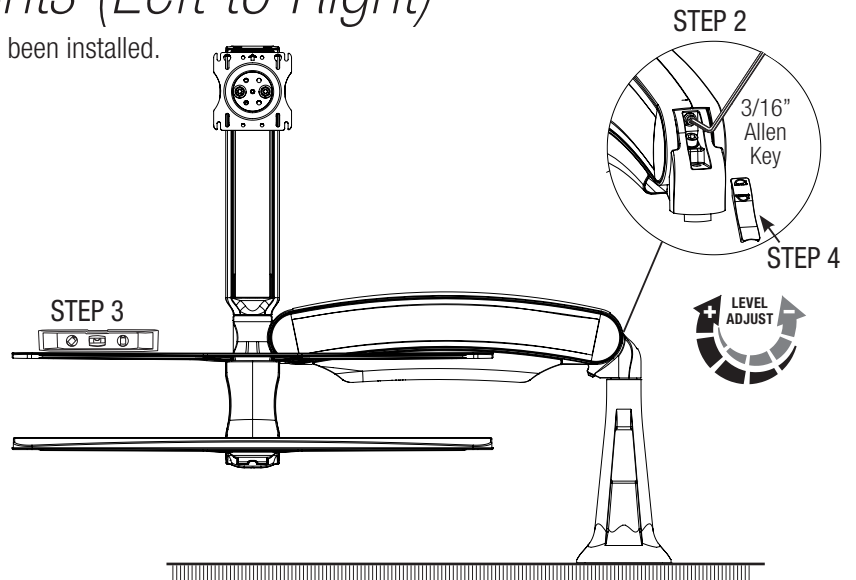
Use the 3/16" Allen Key to turn the top bolt at the back of the arm. Turn the bolt until the tray is level.

STEP 3

Confirm that surface is level with spirit level.

STEP 4

Replace the trim cap at the back of the arm.



Tension Adjustment for the Monitor

STEP 1

Use the 3/16" Allen Key to remove the two bolts securing the plastic top cap of the Float Tower. Remove cap.

STEP 1 & 3

STEP 2

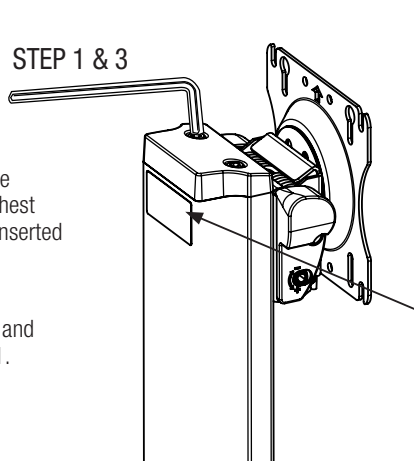
Remove and install pins as necessary per the drawing while holding the monitor in the highest position. If pins are not needed, keep them inserted in the bracket hole for possible future use.

STEP 3

Once tension is acceptable, replace the cap and secure with the screws mentioned in STEP 1. Tighten with 3/16" Allen Key.

ATTENTION:

Before adjusting the tension of the Float Tower, ensure that the monitor is the highest position on the Tower so that the spring tails are no longer in tension.



TENSION ADJUSTMENT

- Remove top cap
- Hold monitor in the highest position.
- Remove/install pins as necessary

Light monitor Medium monitor Heavy monitor

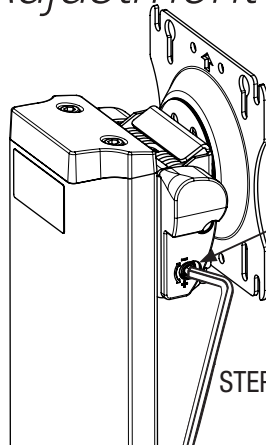
Monitor Tilt Tension Adjustment

STEP 1

To adjust the monitor tilt tension, use a 3/16" Allen Key to adjust tension setting on the both sides of the VESA plate. Setting number 1 is for the lightest monitor and 4 is for heavy monitors. The factory default setting is 1.

STEP 2

Adjust the setting screw until a desirable tension is achieved.



STEP 1 & 2

- Adjust tension as necessary
- Repeat on alternate side

Light monitor Heavy monitor