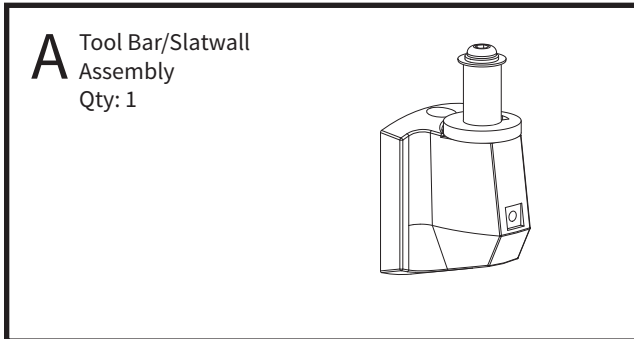
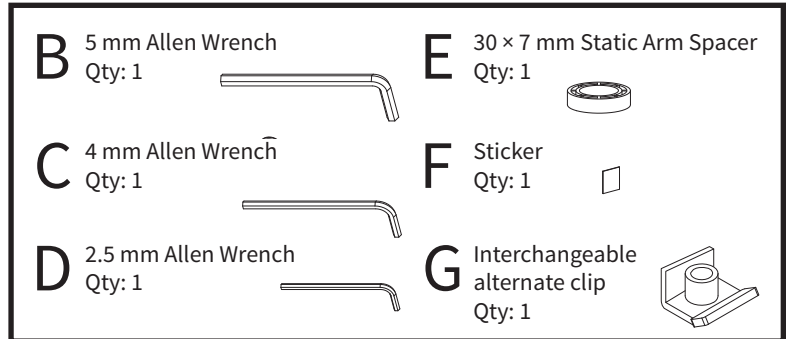


# Assembly & Installation Instructions: Conform Base, Tool Bar/Slatwall CONF-BSE-TSB-S

## Parts Included



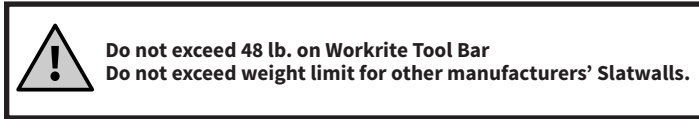
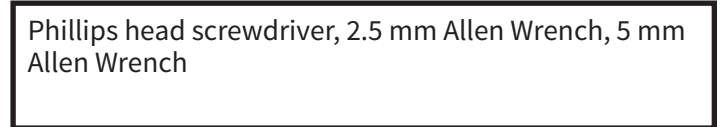
## Parts Included, Hardware kit



## Required Parts Sold Separately

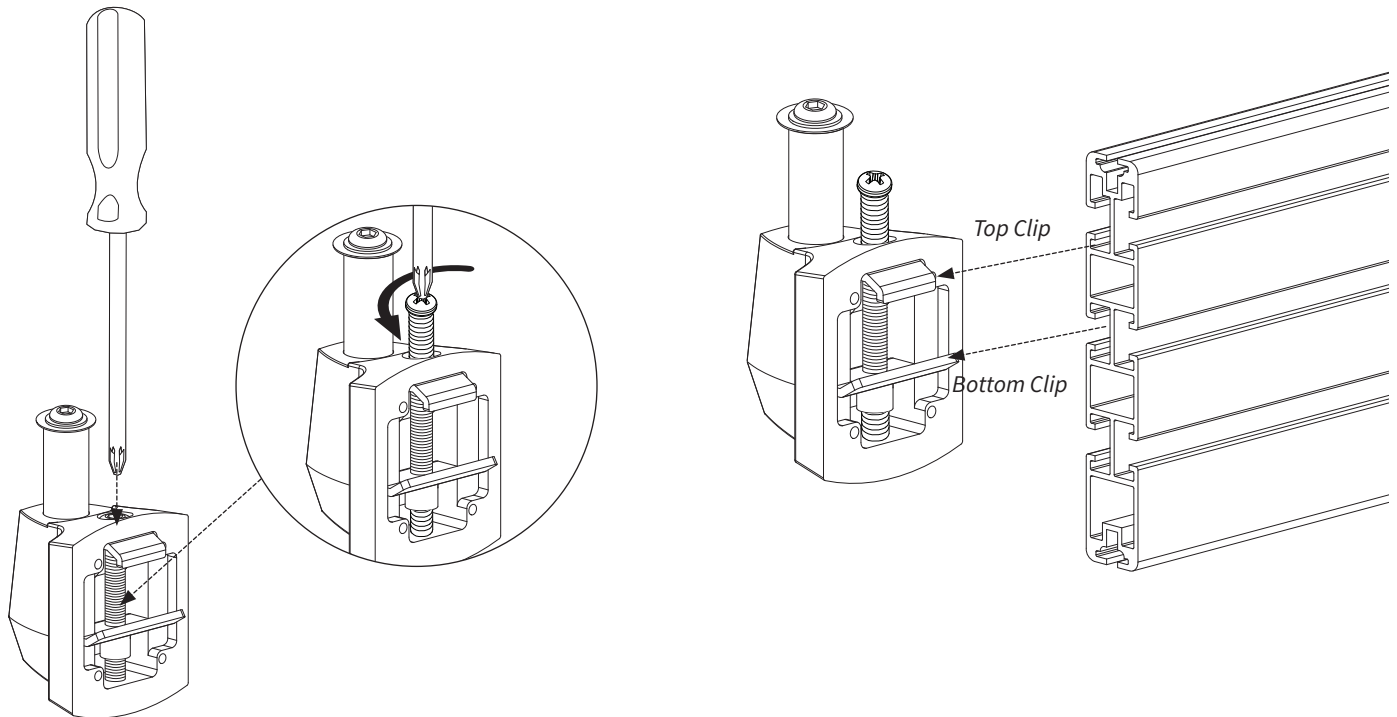


## Tools Required



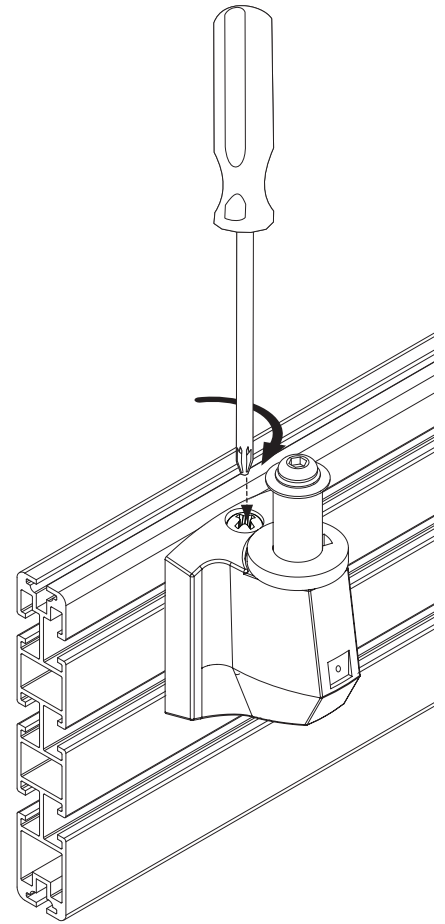
## **1** Attach the Base to Tool Bar

Using a Phillips head screwdriver, open or close the jaws so the metal clips grip both the top and bottom of the Tool Bar/Slatwall and slide.



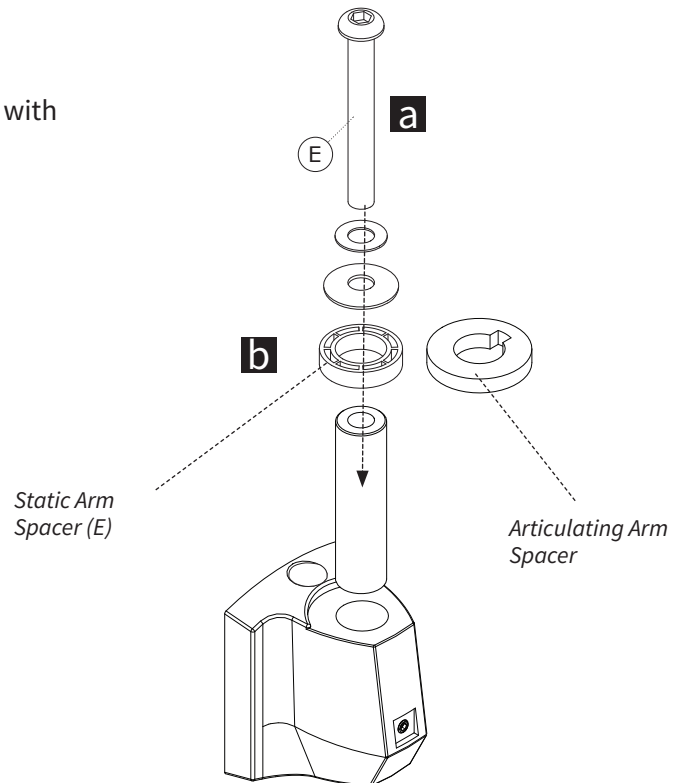
## 2 Secure the Base

Position the Base in your desired location. Using a Phillips head screwdriver, rotate the screw clockwise to tighten the grip to the Tool Bar/Slatwall. Once the metal clips are tightened, the Base will not be able to move along the rail unless it is loosened again.



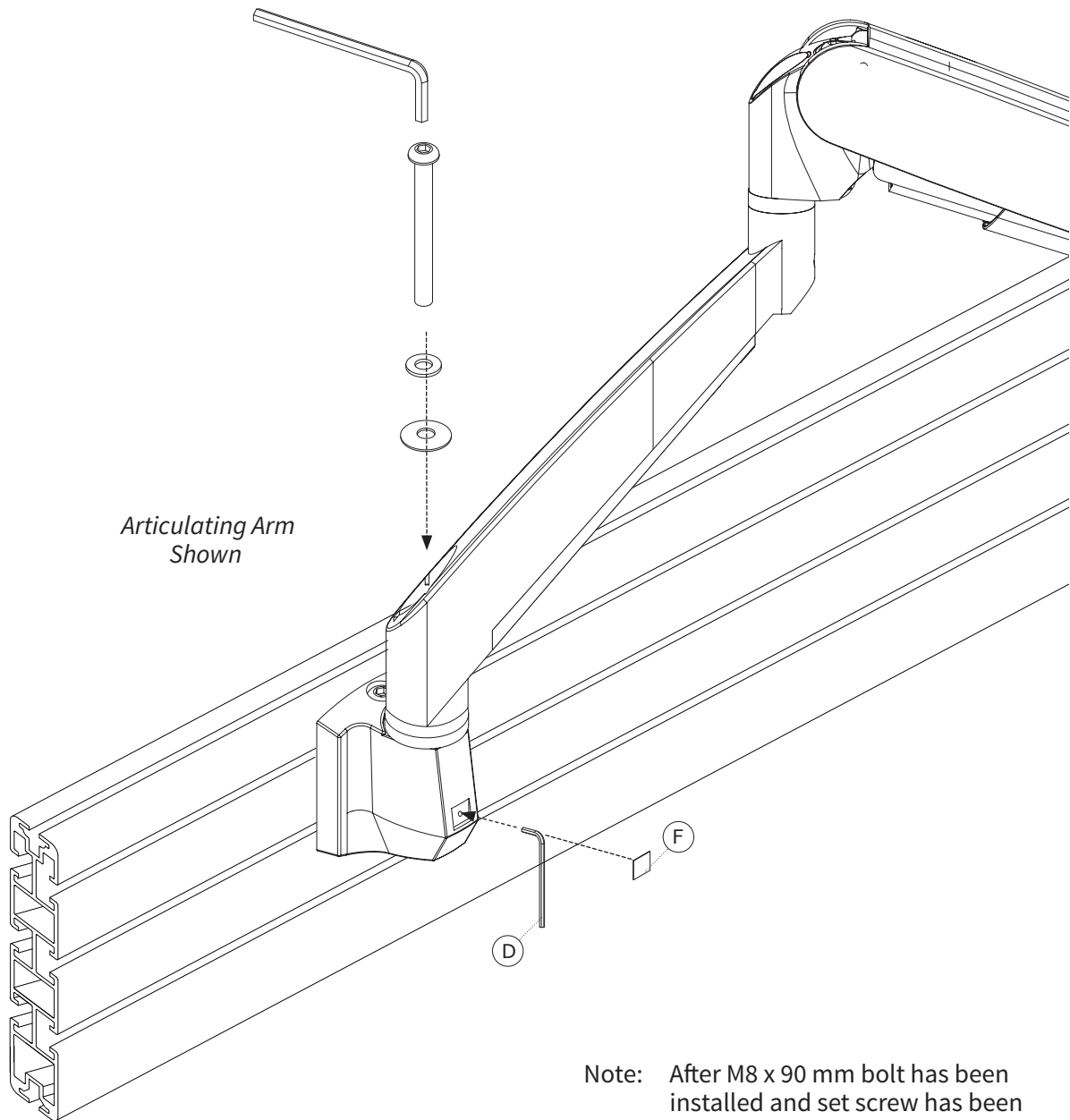
## 3 Insert Spacer and Bolt

- a** Remove Bolt and Washers
- b** Choose the appropriate spacer and re-assemble pin with selected spacer.



## 4 Ready for Arm Installation

You are now ready to attach your selected Conform Monitor Arm (sold separately). Follow Arm installation instructions.



Note: After M8 x 90 mm bolt has been installed and set screw has been tightened with 2.5 mm Allen Wrench (D), apply the sticker (F) to cover the set screw.

If the installed metal clips do not work with your Slatwall, we provide an alternate clip. Follow the steps below:

## 5 Haworth® Slatwall

- a** Before installing Base, loosen the vertical Phillips head screw until the lower clip can be removed.
- b** Replace lower clip with the alternate clip (G) with lip up, as shown below
- c** Using a Phillips head screwdriver, rotate the screw clockwise until the two clips are roughly positioned for placement on Slatwall.
- d** Return to step 2.

