

ASSEMBLY INSTRUCTIONS

The Peanut™



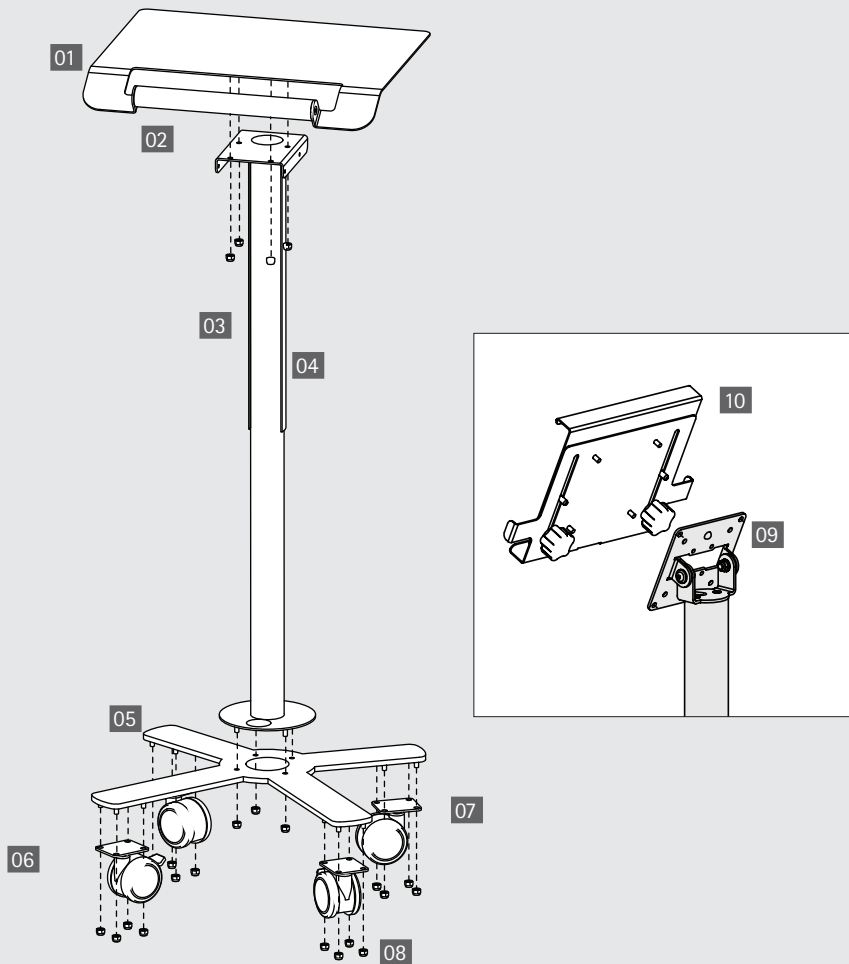
Product	Part#
The Peanut	PT1GMPW3
The Peanut for Tablets	PT2GMPW3

NOTE: The Peanut, Tall, is shown. The tablet and keyboard are not included.



Anthro Corporation® | 10450 SW Manhasset Dr. | Tualatin, OR 97062
Toll-free: 800.325.3841 | Fax: 800.325.0045 | email: sales@anthro.com | anthro.com
Outside the U.S. | Tel: 503.691.2556 | Fax: 503.691.2409

May 2014



WELCOME

Thank you for purchasing The Peanut.

If you have any questions or if we can help you in any way, please contact us at 800.325.3841.

TOOLS

The Peanut comes with these tools:

- 3-way wrench

Not provided, but suggested:

- 7/16" nut driver
- 3/8" nut driver

PARTS LIST

Before beginning assembly of The Peanut, please review the parts list to verify that your shipment is complete.

Product	Quantity	Part Number
01 Shelf for The Peanut	1	225-4834-00
for The Peanut for Tablets		225-4837-00
02 Handle (installed on shelf)	1	125-5411-00
03 Column Assembly for The Peanut	1	500-1108-00
for The Peanut for Tablets		500-1109-00
04 Cable Sleeve	1	280-5056-00
05 Base	1	225-4833-00
06 Casters, Non-locking	2	150-5117-00
07 Casters, Locking	2	150-5118-00
08 1/4-20 Nylock Nut	24	325-5259-00

For Peanut for Tablets:

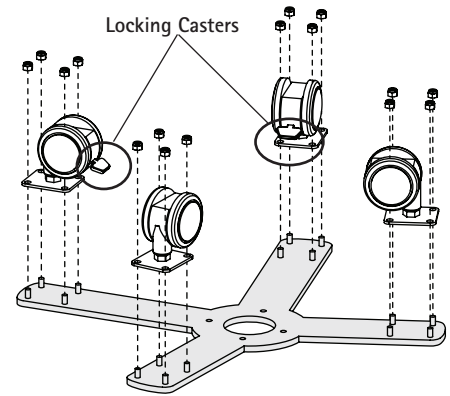
09 VESA Tilt Assembly for Peanut for Tablets	1	835-5639-00
10 Easel Assembly for Peanut for Tablets	1	835-5640-00
11 #10-24 x 0.75" Flat Head Screw for Peanut for Tablets (not shown)	2	325-5270-00

STEP 1 - ATTACH THE CASTERS TO THE BASE

- Lay the base upside down on work surface or floor.
- Align the mounting holes in each caster plate with the bolts sticking out of the base. Locking casters (with tabs as shown) attach to the longer base legs.
- Attach each caster with four nylock nuts using a 7/16" nut driver.



1/4-20 Nylock Nuts
325-5259-00

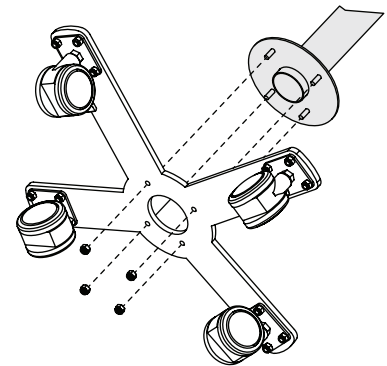


STEP 2 - ATTACH BASE TO THE COLUMN

- Align mounting holes in base with bolts sticking out of the bottom of the column.
- Attach the base with four nylock nuts using a 7/16" nut driver.



1/4-20 Nylock Nuts
325-5259-00

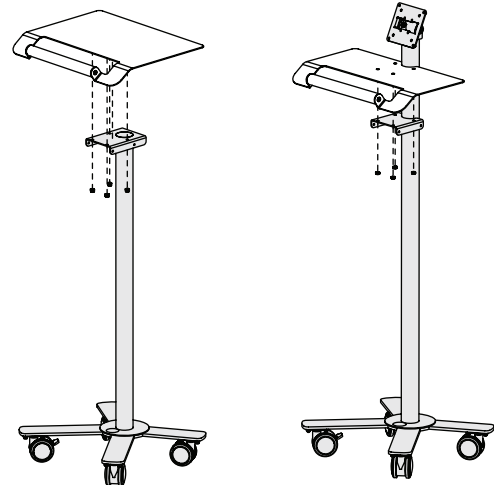


STEP 3 - ATTACH SHELF TO COLUMN AND CABLE SLEEVE

- Stand the column up on its casters.
- Align mounting holes on column with bolts in shelf so the handle is over the locking casters.
- Attach the shelf with four nylock nuts using a 7/16" nut driver.
- Slip the Cable Sleeve over the tube and press into place.

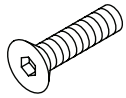


1/4-20 Nylock Nuts
325-5259-00

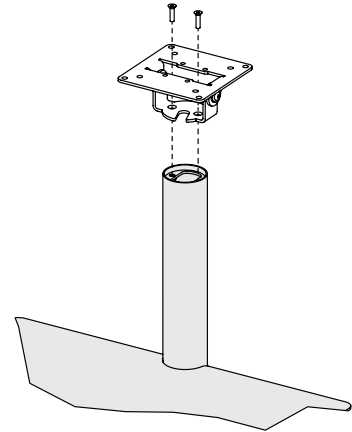


STEP 4 - ATTACH VESA MOUNT TO COLUMN

- Rotate VESA plate on mounting assembly so it can lay flat.
- Align mounting holes in mounting assembly with holes in top of column.
- Attach VESA mounting assembly with two hex bolts using 1/8" hex key.



#10-24 x 0.75" Flat-hd Screw
325-5270-00

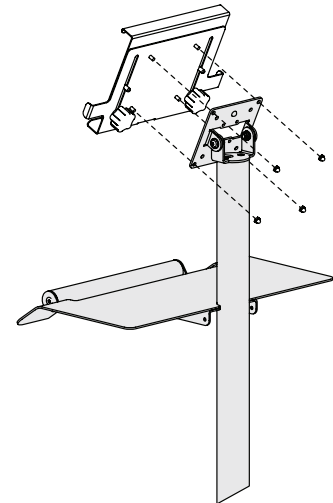


STEP 5A - ATTACH DEVICE HOLDER TO VESA PLATE

- Align device holder with the VESA plate so the four threaded studs on the holder line up with four holes on the plate.
- Attach the device holder to the plate with four acorn nuts using your 3/8" driver.
- To adjust the device holder, loosen the adjustment knobs at the back of the device holder, slide the top of the holder into position, then tighten the knobs.

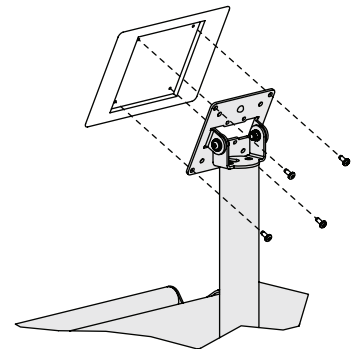


3/8" Acorn Nut
325-5023-00



STEP 5B - ATTACH TABLET CASE TO VESA PLATE

- Align the holes in the back of your tablet case with the four outer holes in the VESA mount.
- Attach monitor with mounting screws that come with the case.



CONGRATULATIONS! YOUR CART ASSEMBLY IS COMPLETE!

Anthro Corporation®
10450 SW Manhasset Dr. | Tualatin, OR 97062
Toll-free: 800.325.3841 | Fax: 800.325.0045
email: sales@anthro.com | anthro.com
Outside the U.S. | Tel: 503.691.2556



300-5611-00

Warranty:
For warranty information, please visit:
<http://www.anthro.com/support/warranty>

Notices:
Technology Furniture and The Peanut™ are trademarks of Anthro Corporation. Anthro reserves the right to modify the design and specifications without prior notice.