

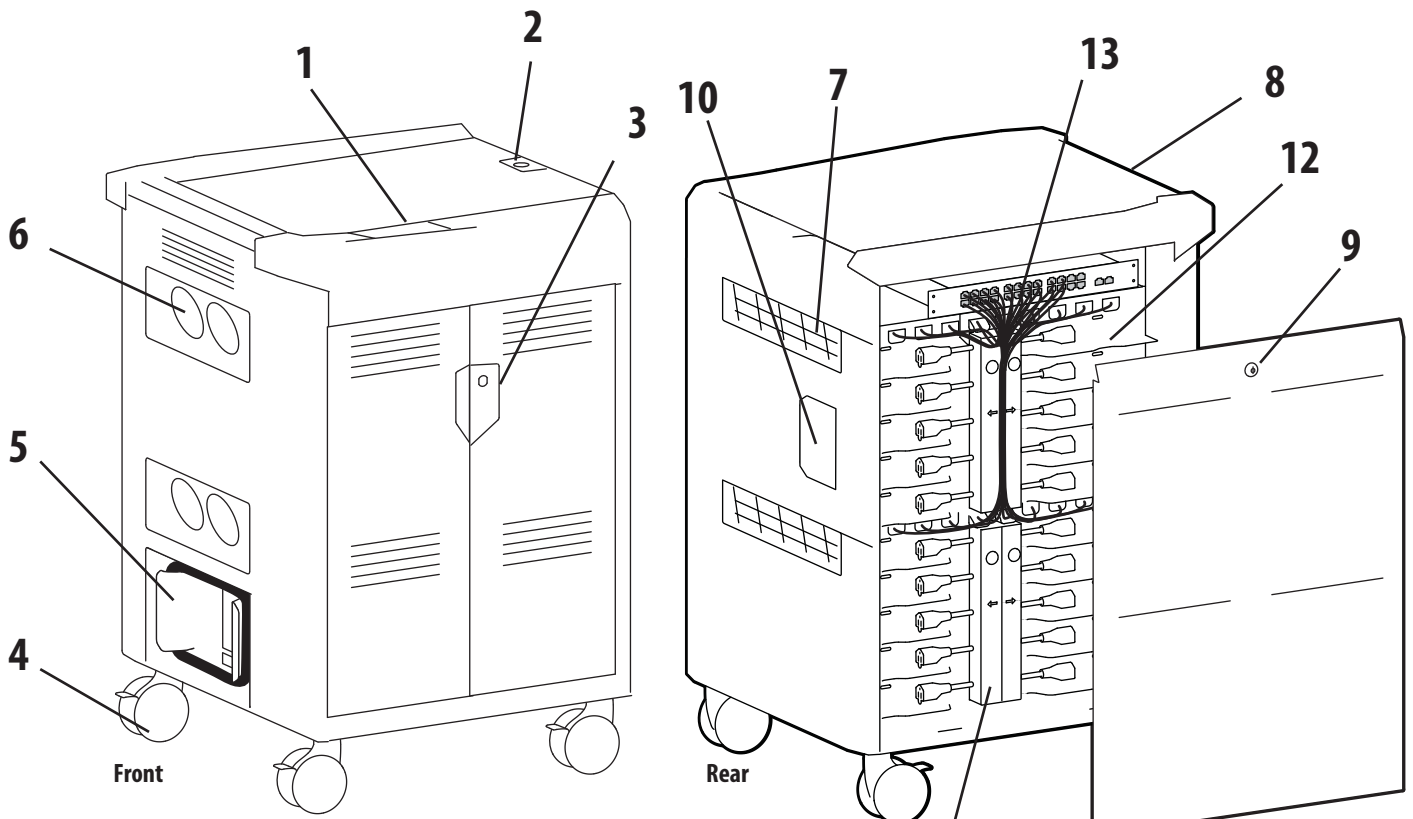
ENGLISH

The Ergotron PowerShuttle™ Laptop Management Cart transports, secures, and charges any combination of 20 laptop or tablet PCs and provides capability to manage software via an ethernet connection.

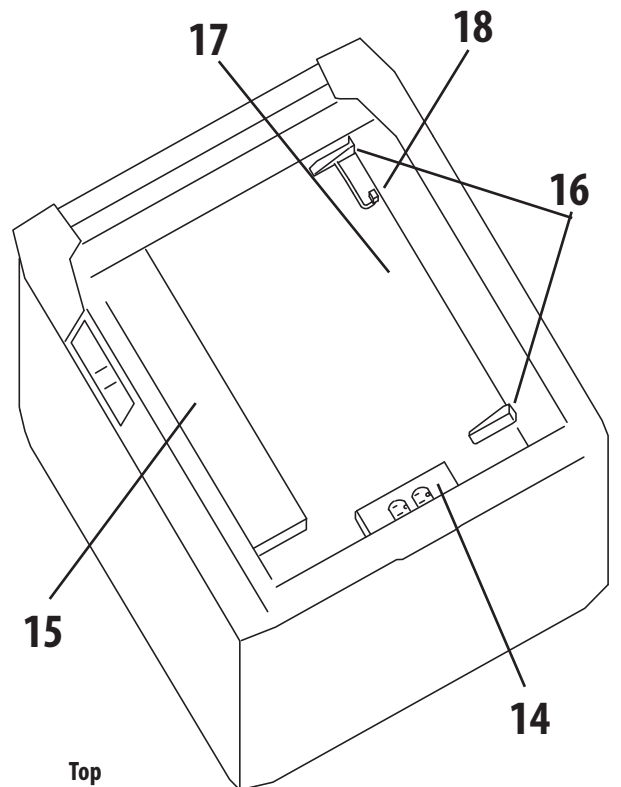
Table of Contents

Features	3
Hazard Symbols Review.....	4
Components	4
Set-up	5
LED.....	11
Cleaning & Maintenance	12
Equipment Electrical Safety.....	12
Safe Use Recommendations.....	13
Specifications.....	14
Warranty and Service.....	14

Features







1. LED panel
2. Locking top cover
3. Locking, vented front doors
4. Four 4" locking casters
5. 12.5' (3.8m) power cord, 14' (4.3m) ethernet cord and cable wrap
6. Four 12 Volt continuous operating fans (two in each compartment)
7. Vented sides
8. Ergonomic handle
9. Lockable rear access door
10. Auxiliary outlets*
 - 2 outlets US/Japan
 - 1 outlet all others
11. Two country specific outlet strips (20 total devices)
12. AC adapter storage shelves with velcro strap
13. 20 CAT 6 RJ45 ethernet cables
14. Internal country specific auxillary outlet for switch and WAP power (max current: 100-120V ~ 50/60Hz, 4A or 220-240 ~ 50/60Hz, 2.5A)
15. PowerShuttle
16. Two switch mounting brackets
17. Space for mounting switch and WAP (not included)
18. Ethernet cable to connect to switch



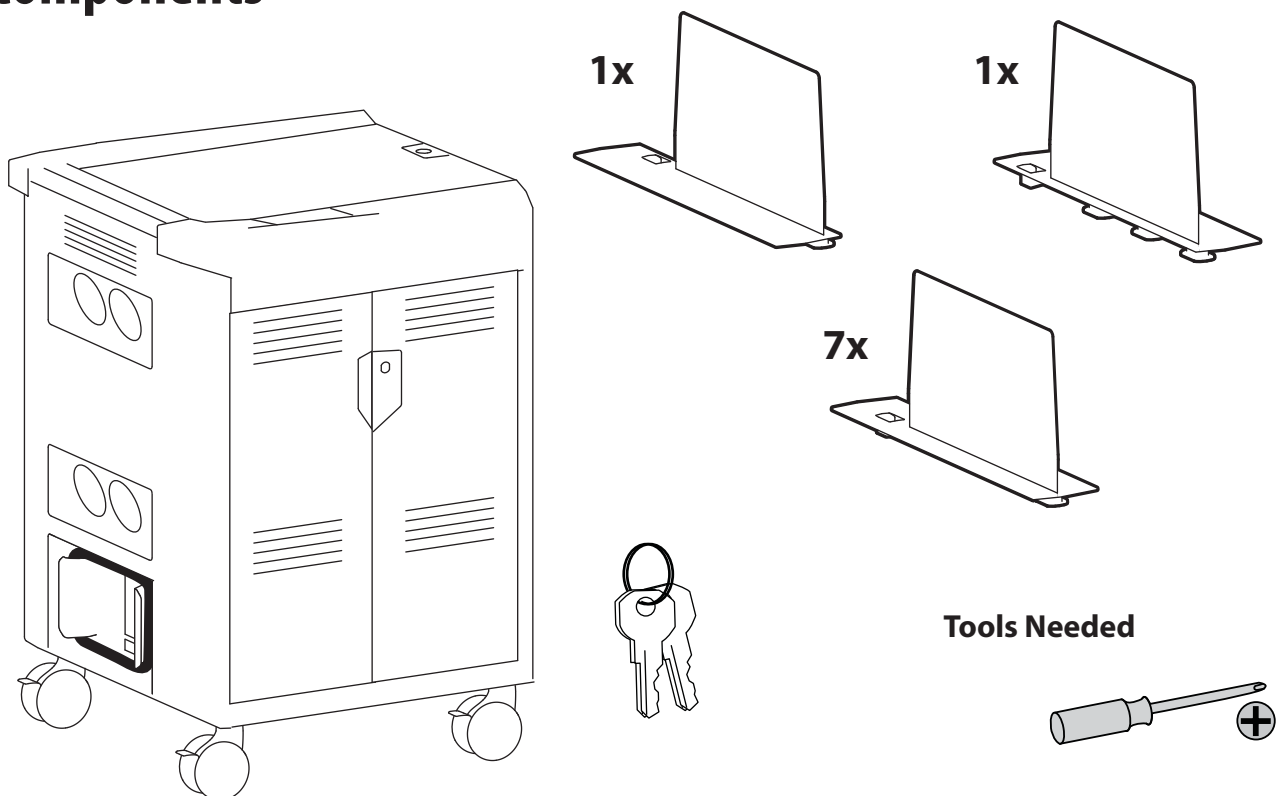
Hazard Symbols Review

These symbols alert users of a safety condition that demands attention. All Charging and Managed Cart users should be able to recognize and understand the significance of the following Safety Hazards if encountered on the Cart or within Cart documentation. Children who are not able to recognize and respond appropriately to Safety Alerts should not use the Cart without adult supervision!

Symbol	Signal Word	Level of Hazard
	NOTE	A NOTE indicates important information that helps you make better use of your Cart.
	CAUTION	A CAUTION indicates either potential damage to hardware or loss of data and tells you how to avoid the problem.
	WARNING	A WARNING indicates either potential for property damage, personal injury, or death.
	ELECTRICAL	An Electrical indicates an impending electrical hazard which, if not avoided, may result in personal injury, fire and/or death.

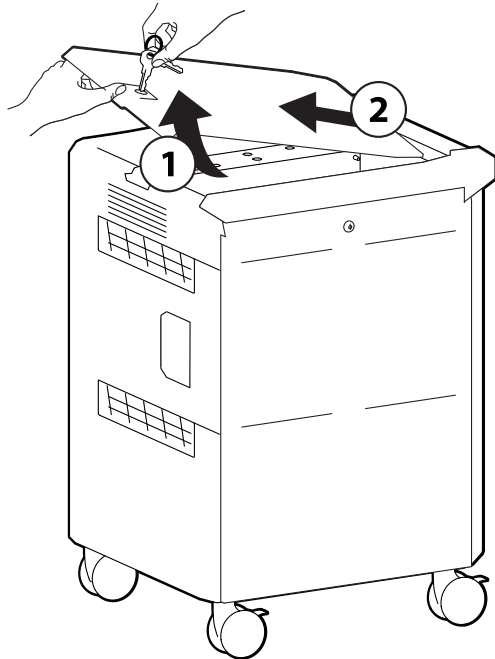
ENGLISH

Components

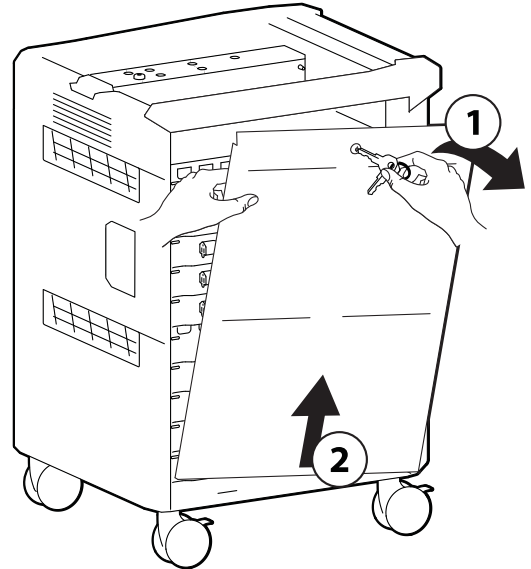


Set-up

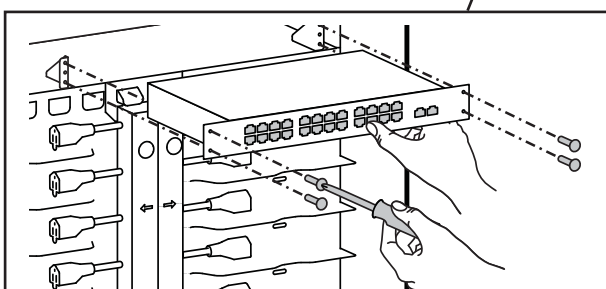
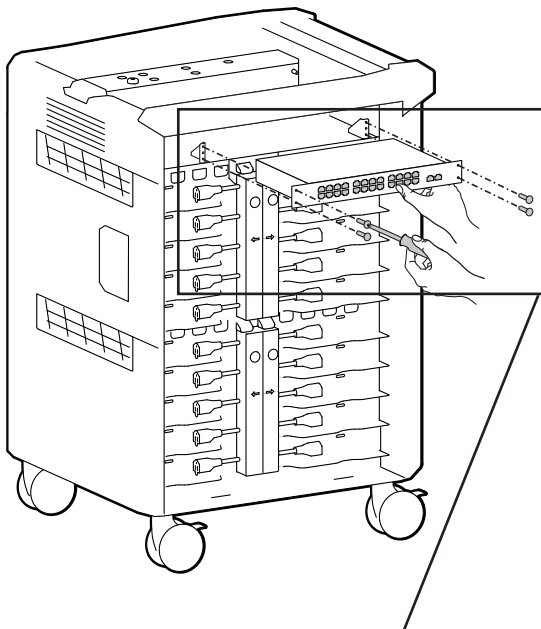
1 Use provided key to open and remove top.



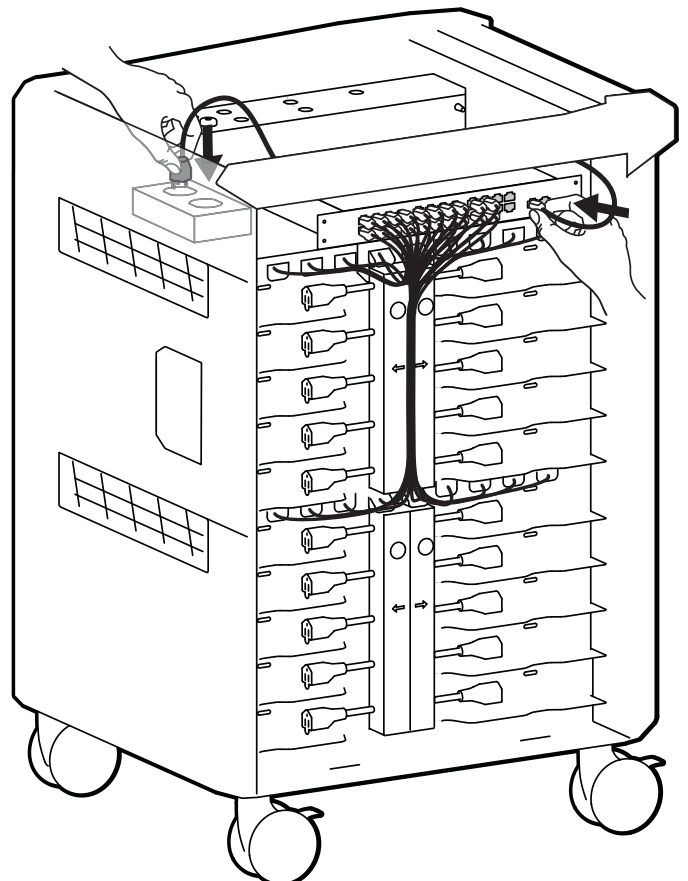
2 Use same key to open and remove rear panel.



3 Insert customer-supplied switch into top compartment using fasteners provided with switch.



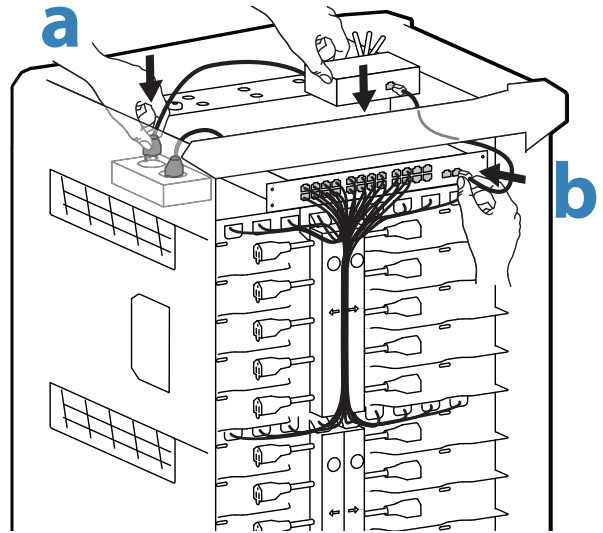
4 Connect switch power connector to cart outlet and cart network cable to switch.



5 Insert customer-supplied WAP in the top compartment.

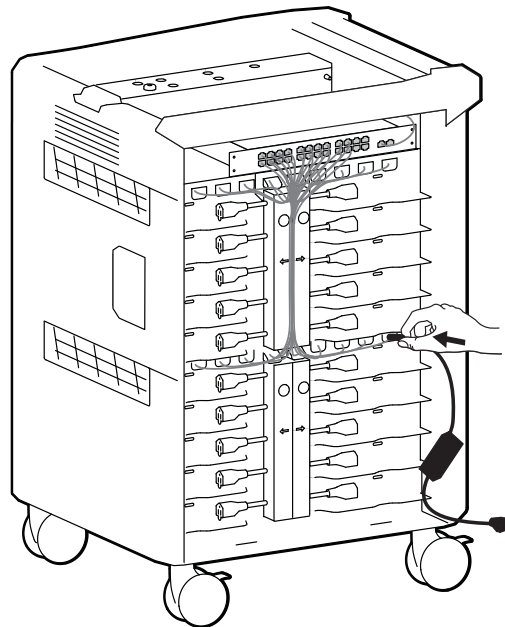
a. Connect the WAP power connector to the cart power outlet.

b. Connect the WAP to the switch with a customer-supplied Ethernet cable.

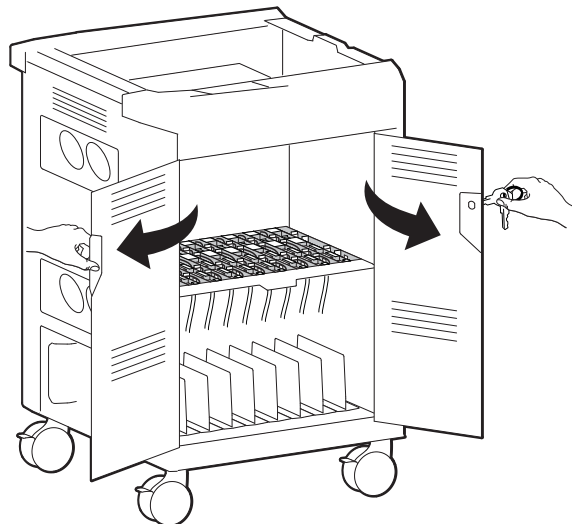


6 Install laptop/tablet AC adapters:

Start with the bottom 10 adapters: route the female ends of the adapter power cords into each of the ten cutouts in the middle of the back panel.



7 Open the front cart doors using provided key.



8

Connect the power and Ethernet cables to the laptops/tablets on the bottom shelf.

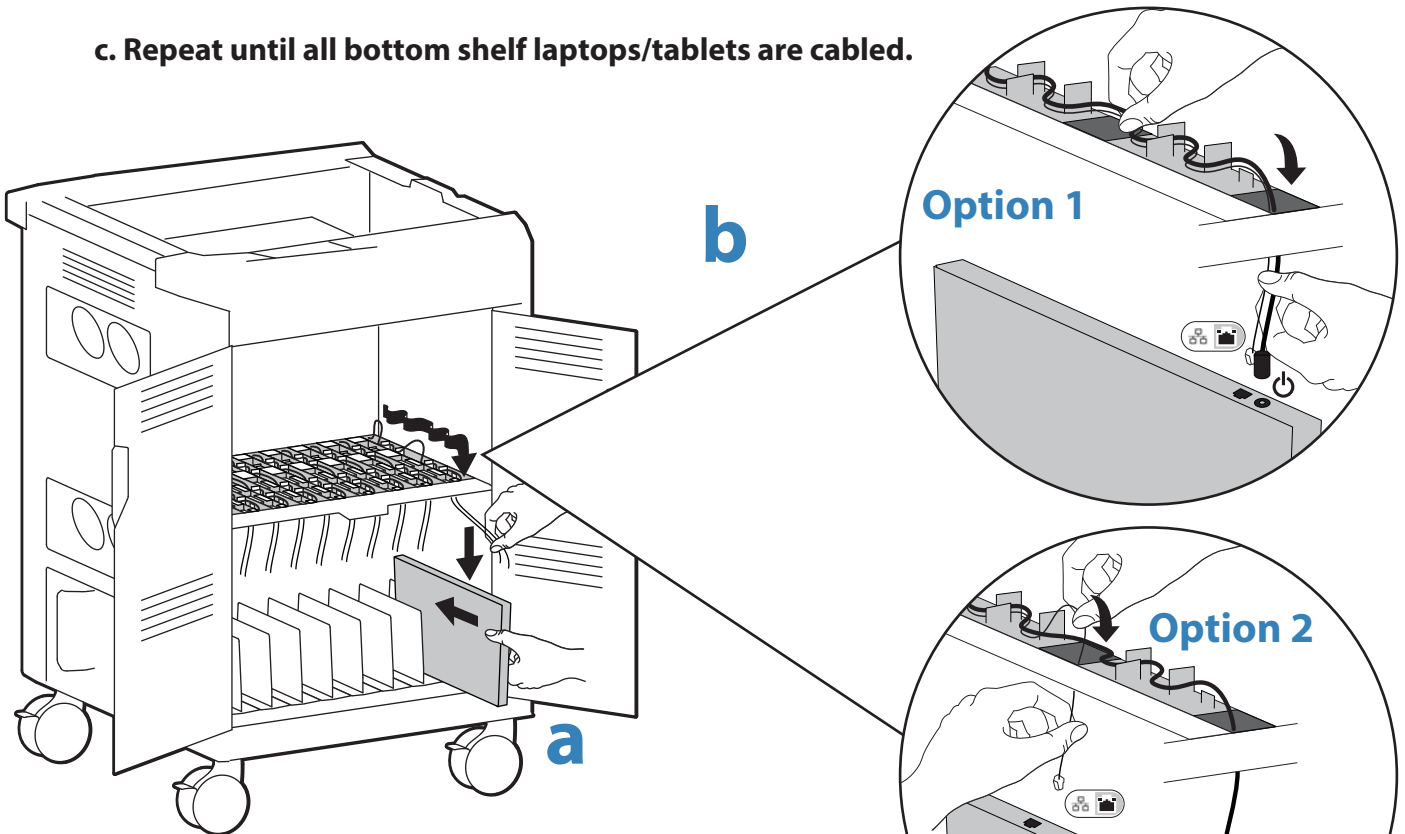
a. Starting with the bottom shelf only, insert the laptops so that the power connector is located toward the front of the cart. Note where the Ethernet port is located in relation to the power connector. Drop each AC adapter cable through the appropriate hole in the shelf.

b. Route the AC Adapter cables around the tabs leaving enough slack for cables to be plugged into laptop/tablet when removed from slot.



NOTE: Ethernet cables are pre-routed. Adjust as necessary to work best with your device. Choose to drop the Ethernet cable through the front (option 1), or middle hole (option 2), depending on location of the Ethernet port.

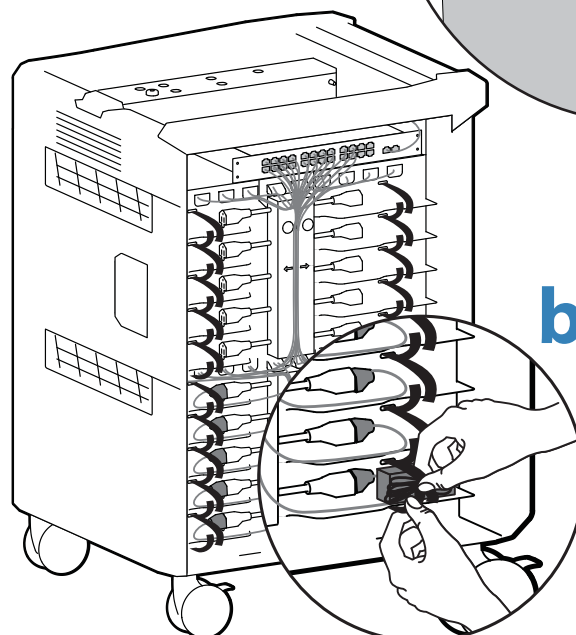
c. Repeat until all bottom shelf laptops/tablets are cabled.



9

a. Return to the back of the cart: pull any remaining cord slack from the front into the back. Plug the male ends of the adapter power cords into the cart power receptacles.

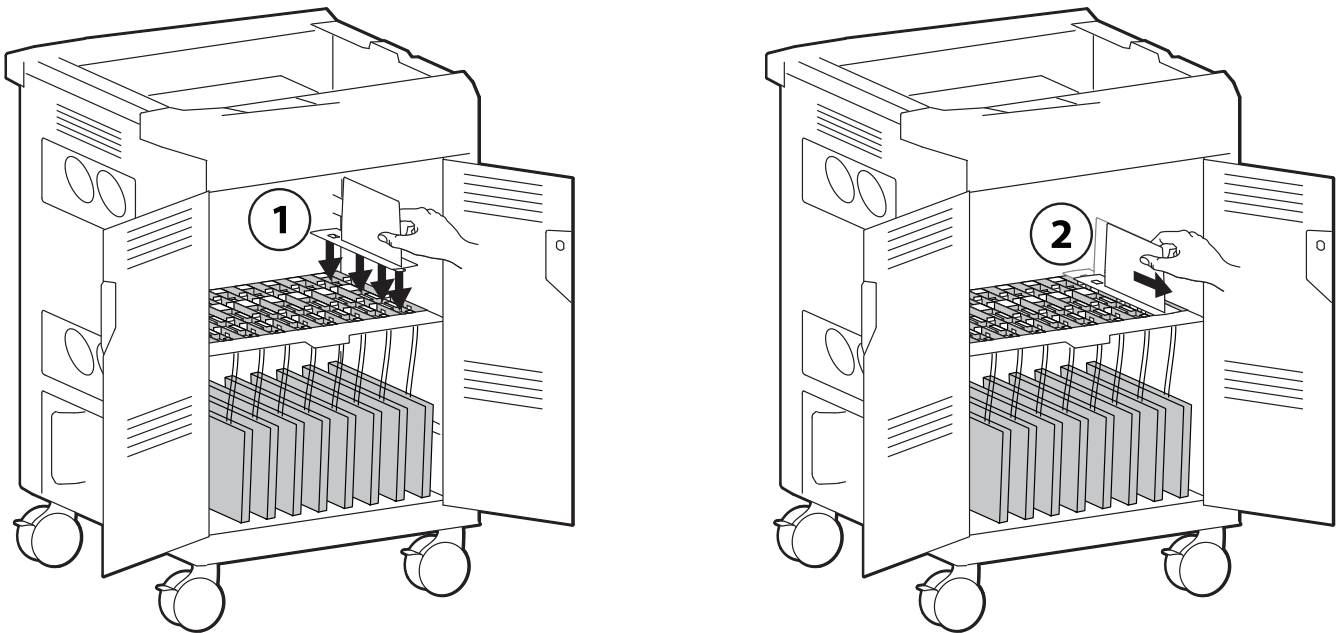
b. Set the AC adapter on the shelf, bundle the cables with the AC adapter and wrap tightly to secure.



10

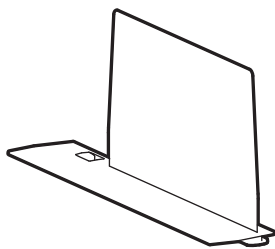
Insert the laptop/tablet dividers in the top compartment.

Push each divider down into place, then slide forward until it locks in place. The dividers will hold power and Ethernet cables in their channels.

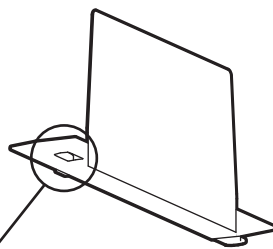


NOTE: there are three divider styles, one for the right end of the compartment, one for the left end and seven for the middle area.

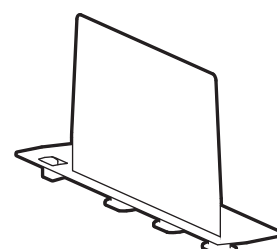
LEFT = 1



MIDDLE = 7



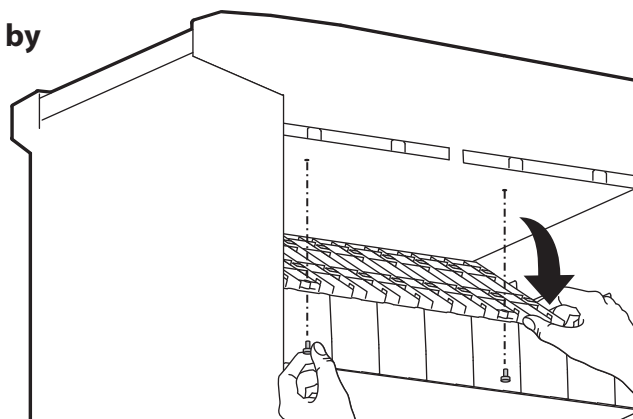
RIGHT = 1



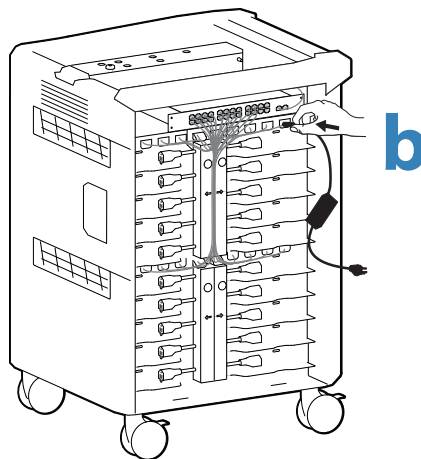
NOTE: to remove dividers, press release tabs in back of divider and push divider back.

11

a. Lower the cable routing tray by removing the thumb screws.



- 11** b. Returning to the back of the cart: install the remaining AC adapters for the top shelf. Route female ends through cut outs.

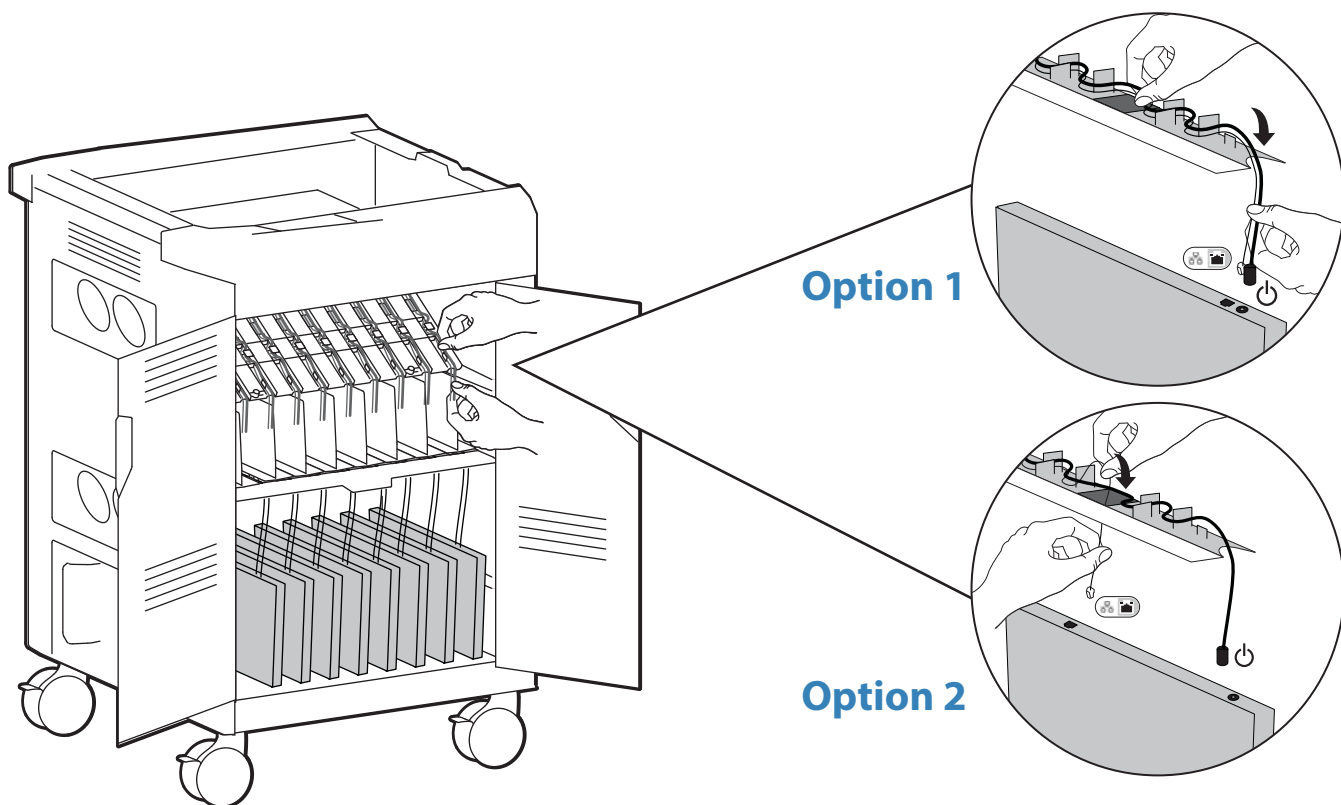


- 12** Noting where the Ethernet port is located in relation to the power connector of your laptop/tablets, route the cables around the tabs in the cable tray leaving enough slack for cables to be plugged into laptop/tablet when removed from slot. Drop each AC adapter cable through the appropriate hole in the shelf.



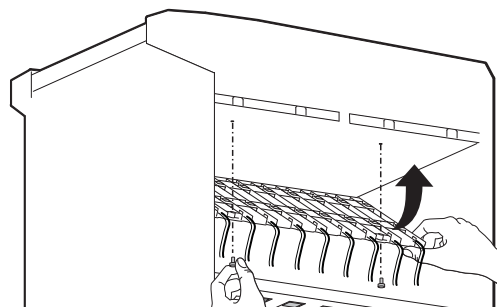
NOTE: Ethernet cables are pre-routed. Adjust as necessary to work best with your device. Choose to drop the Ethernet cable through the front (option 1), or middle hole (option 2), depending on location of the laptop/tablet port.

Repeat until all cables have been organized in the tray.



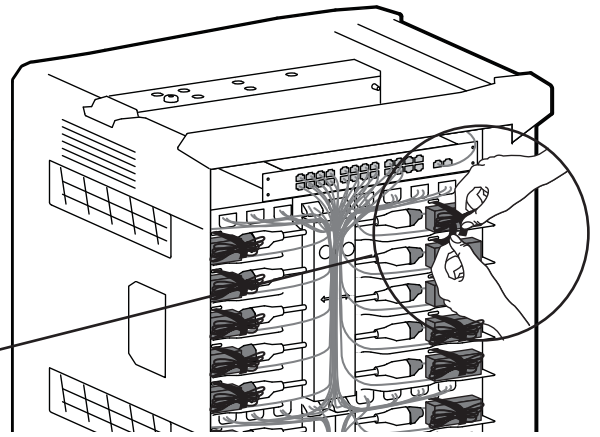
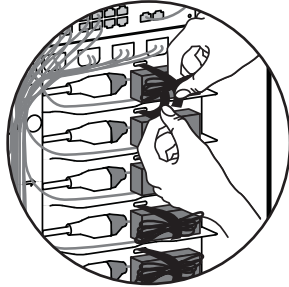
Raise the tray back into place and secure with the thumb screws.

13



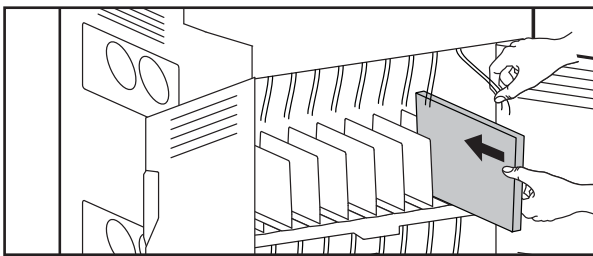
14

Install the remaining AC adapters onto their storage shelves. Pull any remaining cord slack from front into back. Plug male ends into cart power receptacles and bundle and wrap cables as instructed in Step 9.



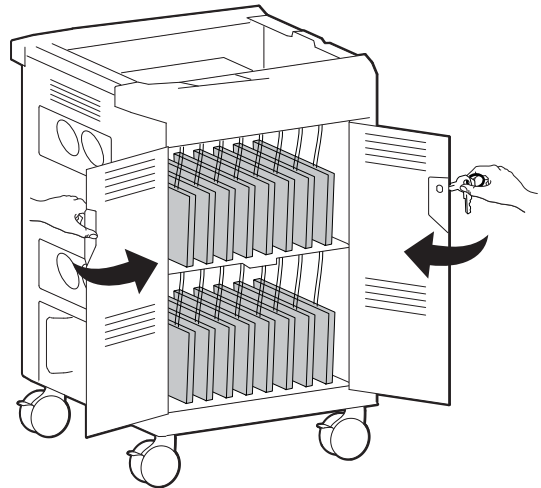
15

Insert the laptops/tablets between the dividers and connect power and Ethernet cables.



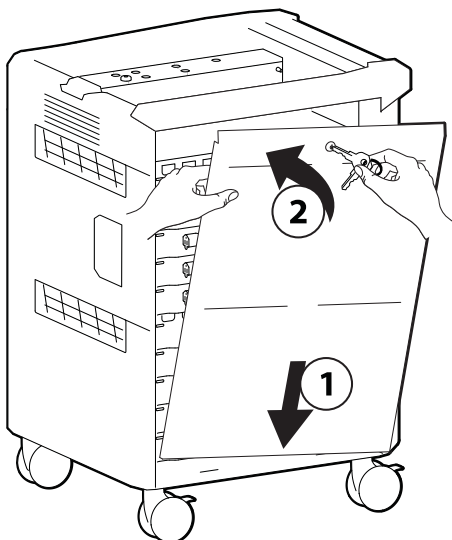
16

Close front compartment doors and lock.



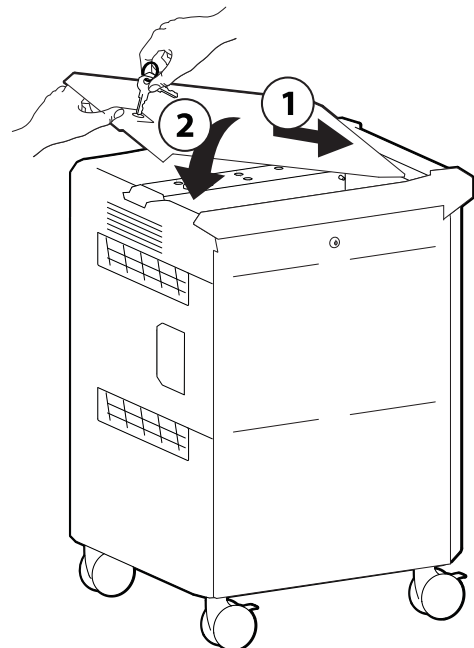
17

Close rear door and lock: lower door into place at the bottom of cart then swing forward at top and turn lock to secure.



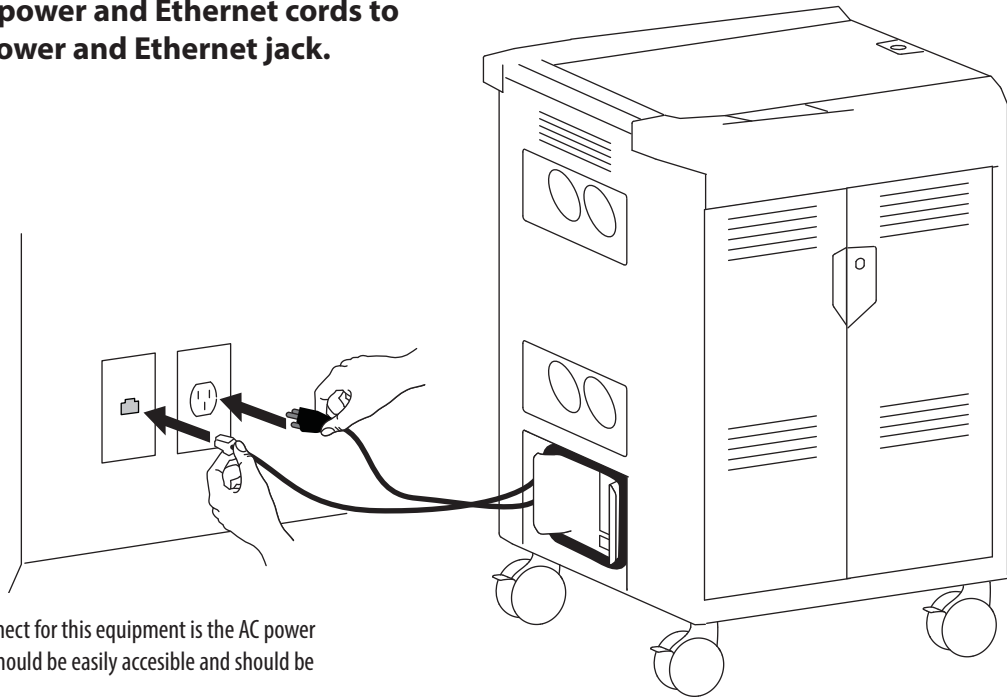
18

Close top compartment and lock: slide cover into place on handle end of cart, then push cover down.



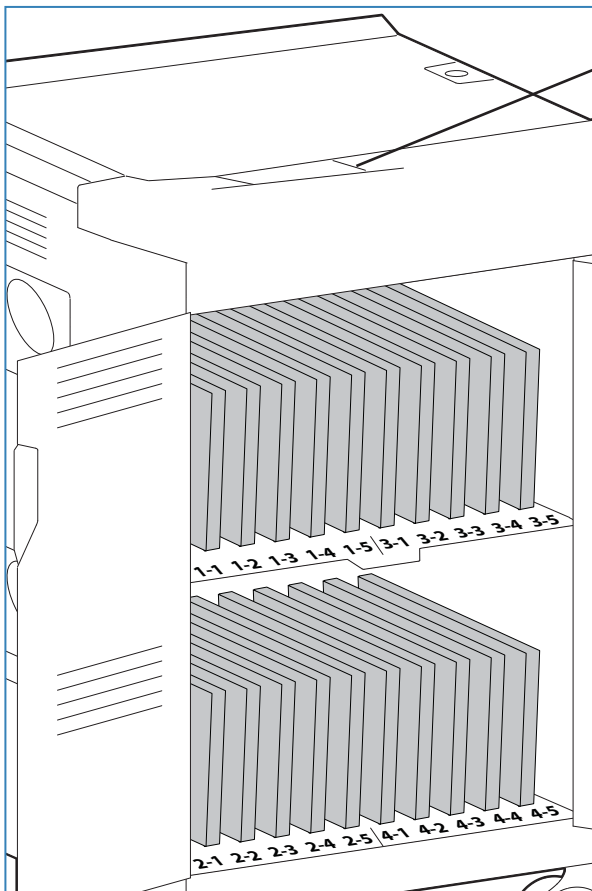
19

Connect power and Ethernet cords to facility power and Ethernet jack.



⚠ CAUTION: The power disconnect for this equipment is the AC power cable. Therefore the socket outlet should be easily accessible and should be installed near the equipment.

LED Refer to the chart below for the meaning of LED signals.



Indicator	Signal	Meaning
	Blue light, solid	Power "ON"/Over current fault flashing.
1 3 2 4	Blue light, solid	Indicates which zone is receiving power.

Cleaning and Maintenance

 **WARNING:** Failure to observe the following safety notices may result in serious personal injury or equipment damage.


Inspect for damage, dirt and debris on a regular basis. All paint and plastic components used in the Cart will withstand cleaning by most commonly used, diluted, non-abrasive solutions such as quaternary ammonia compounds, ammonia enzyme cleaners, bleach, or alcohol solutions. It is recommended that any cleaning solution be tested on a small, inconspicuous area to ensure it does not harm the surface of the Cart.


- Marks from permanent marker, dry-erase marker, and pens can be removed with 91% isopropyl alcohol and a soft cloth.
- Iodine stains can be removed with commonly used cleaners and a soft cloth.
- Do not use steel wool or other abrasive materials that may damage the surface finish.

 **Electrical:** To avoid risk of electric shock, do not expose electrical components to water, cleaning solutions or other potentially corrosive liquids or substances.

 **Electrical:** Do not immerse Cart or Cart components in liquid or allow liquids to flow into the Cart. Wipe all cleaners off surface immediately using a damp cloth. Dry the surface thoroughly after cleaning.

 **Electrical:** Do not use flammable cleaners on Cart surfaces.

 **CAUTION:** Adjustment, Service, Replacement - DO NOT attempt to adjust, service or replace any part of the Cart unless directed to do so through Ergotron-approved documentation (i.e. installation instructions). Only Ergotron, Inc. or an Ergotron-certified entity may adjust, service or replace Cart components. If any component on the Cart is missing or damaged, the Cart must not be used. Contact Ergotron immediately to request a replacement part.

 **CAUTION:** Casters - Check casters periodically to make sure they are clean and free of debris that would prevent smooth travel. Avoid moving Cart across uneven, dirty, or damaged surfaces.

 **CAUTION:** Customer Equipment- Make sure equipment is balanced and installed securely to Cart. Contact Ergotron for information about moving Cart components.

Equipment Electrical Safety

There are specific risks associated with the use of equipment having power cables. You must be aware of, and avoid these risks when the Cart is located in close proximity to children.


 **WARNING:** Failure to observe the following Electrical Safety notices can result in fire or death by electric shock.

 **Electrical cables can be hazardous. Misuse can result in fire or death by electrical shock.**


- Double Pole / Neutral Fusing
- Inspect power cables thoroughly before each use.
- Do not use cables that are damaged.
- Insert the plug completely into the outlet.
- Grasp the plug to remove from the outlet.
- Do not unplug by pulling on the cable.
- Do not use excessive force to make connections.
- Do not plug the cable into an extension cable.
- Do not remove, bend or modify any metal prongs or pins of cable.
- Do not drive, drag or place objects over the cable.
- Do not walk on the cable.
- Avoid overheating. Uncoil the cable and do not cover it with any material.
- Do not run cable through doorways, holes in ceilings, walls or floors.


 **Keep the Cart away from water.**

- Do not use it when wet.
- Do not place the Cart in close proximity to flammable liquids or gases.

 **DANGER!**
Risk of Electric Shock

DANGER! Electrical cables can be hazardous. Misuse can result in fire or death by electrical shock.



 **CAUTION:** The power disconnect for this equipment is the AC power cable. Therefore the socket outlet should be easily accessible and should be installed near the equipment.

Safe Use Recommendations

There are specific risks associated with the use of Cart when moving or stationary (for charging or storage). You must be aware of, and avoid these risks when the Cart is located in close proximity to children.

 **WARNING:** Failure to observe the following Cart Use Safety notices may result in serious personal injury or equipment damage.

Only Adults should move this cart.

- Do not allow anyone to sit, stand, or climb on the Cart.
- Do not lift the Cart from the bottom.
- Do not block the fans and vent openings. To prevent overheating, leave at least 127 mm (5-inch) clearance around fans and vents.

The Cart is designed to be used indoors only.

- Do not use the Cart to transport or store equipment other than what has been noted in this guide.
- Do not use the Cart to store liquids or cleaning supplies.
- Do not place heavy objects on the Cart surface or shelf.
 - The maximum weight capacity of the top surface is 11.4 kg (25 lb).
 - The maximum weight capacity of the shelf is 16 kg (35.2 lb).


Moving the Cart

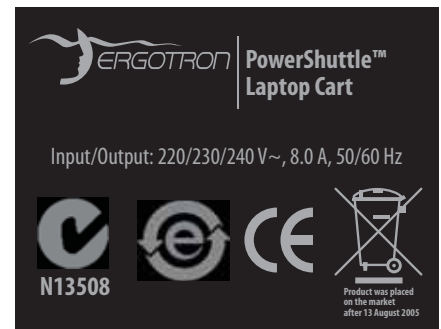
- Before moving the Cart:
 1. Disconnect the power cable from the wall.
 2. Make sure the cable is wrapped and secure.
 3. Close and lock the doors.
 4. Remove items from the top work surface.
 5. Unlock the casters.
- Push (do not pull) the Cart for optimum maneuverability and to prevent muscle strain.
- Do not move the Cart across rough, uneven or irregular surfaces such as gravel.

Parking the Cart

Observe these safety alerts for times when the cart is stationary:

- Do not park the Cart in areas of heavy traffic.
- Do not run cables through doorways, holes in ceilings, walls, or floors.
- Do not run cables across hallways, classrooms, or other areas where they will be walked on.
- Do not leave Cart unattended in areas where children have access.
- Keep Cart doors closed and locked whenever it is unattended or parked for charging or storage.
- Keep Cart casters locked whenever it is unattended.

 **CAUTION:** Changes or Modifications not expressly approved by Ergotron could void the user's authority to operate the equipment.

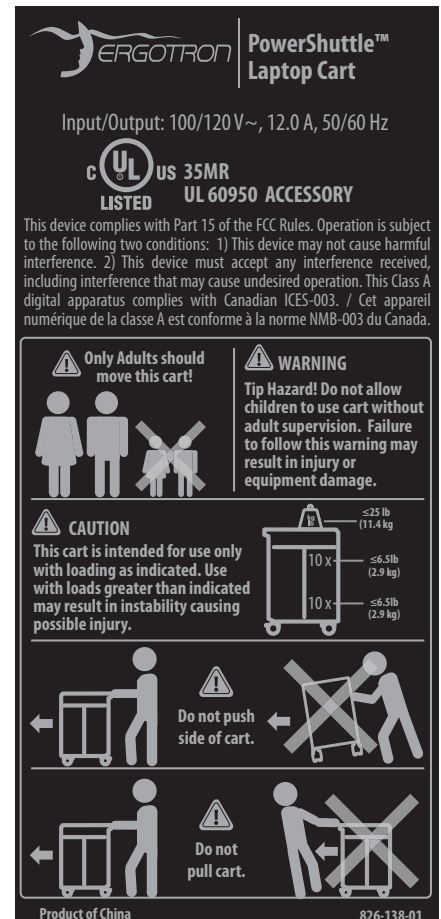


ERGOTRON | PowerShuttle™ Laptop Cart

Input/Output: 220/230/240 V~, 8.0 A, 50/60 Hz

N13508

Product was placed on the market after 13 August 2005



ERGOTRON | PowerShuttle™ Laptop Cart

Input/Output: 100/120 V~, 12.0 A, 50/60 Hz

UL LISTED US 35MR UL 60950 ACCESSORY

This device complies with Part 15 of the FCC Rules. Operation is subject to the following two conditions: 1) This device may not cause harmful interference. 2) This device must accept any interference received, including interference that may cause undesired operation. This Class A digital apparatus complies with Canadian ICES-003. / Cet appareil numérique de la classe A est conforme à la norme NMB-003 du Canada.

Only Adults should move this cart!

WARNING
Tip Hazard! Do not allow children to use cart without adult supervision. Failure to follow this warning may result in injury or equipment damage.

CAUTION
This cart is intended for use only with loading as indicated. Use with loads greater than indicated may result in instability causing possible injury.

≤25 lb (11.4 kg)
10 x ≤6.5 lb (2.9 kg)
10 x ≤6.5 lb (2.9 kg)

Do not push side of cart.

Do not pull cart.

Product of China 826-138-01

Specifications

This device complies with Part 15 of the FCC Rules. Operation is subject to the following two conditions:

- 1) This device may not cause harmful interference.
- 2) This device must accept any interference received, including interference that may cause undesired operation.

CAN ICES3(A)/NMB-3(A).

Changes or modifications not expressly approved by the Ergotron could void the user's authority to operate the equipment. Intended for institutional use.

Cart dimensions

28"W x 24.4"D x 40.5"H (71.1 x 62.0 x 101.6 cm)

Cart weight (w/o equipment)

157 lb (71.2 kg)

Rated weight capacity

Top Work Surface 25 lb (11.3 kg)

Maximum laptop/tablet size

Individual laptop/tablet dimensions (including cover):

up to 15.1 W x 11.0 D x 1.7 H in (38.4 x 28.0 x 4.3 cm)

Individual laptop/tablet weight:

≤6.5 lb (2.9 kg)

External power outlet(s)

One or two outlets, depending on region

100/120 V~, 4A, 50/60 Hz or

220/230/240 V~, 5.5A, 50/60 Hz

Shipping dimensions

32.7 W x 27.6 D x 46.4 H in (830 x 702 x 1179 mm)

Shipping weight

214 lb (97.1 kg)

Power system

100/120 V~, 12.0A, 50/60 Hz

Maximum input for 5 devices cannot exceed 8A or

220/230/240 V~, 8.0A, 50/60 Hz

Depending on region and model of Cart

Maximum input for 5 devices cannot exceed 4A

Tip Test/Angle: 10 degrees

Environmental

Temperature range:

Operating 0° to 30°C (32° to 86°F)

Storage -40° to 60°C (-40° to 140°F)

Relative humidity (maximum):

Operating 10%–90% (non condensing)

Storage 5%–95% (non condensing)

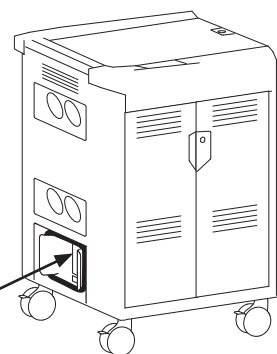
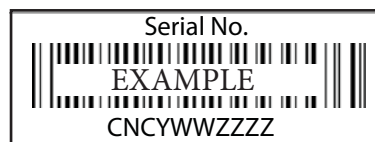
Altitude (maximum): 2000 m (6,562 ft)

Service and Warranty

**For Service on the Ergotron PS Laptop Cart and
Ergotron PS Laptop Management Cart
Visit www.ergotron.com**



NOTE: When contacting customer service, reference the serial number.



ERGOTRON®

While Ergotron, Inc. makes every effort to provide accurate and complete information on the installation and use of its products, it will not be held liable for any editorial errors or omissions (including those made in the process of translation from English to another language), or for incidental, special or consequential damages of any nature resulting from furnishing this instruction and performance of equipment in connection with this instruction. Ergotron, Inc. reserves the right to make changes in the product design and/or product documentation without notification to its users. For the most current product information, or to know if this document is available in languages other than those herein, please contact Ergotron. No part of this publication may be reproduced, stored in a retrieval system, or transmitted in any form or by any means, electronic, mechanical, photocopying, recording or otherwise without the prior written consent of Ergotron, Inc., 1181 Trapp Road, Eagan, Minnesota, 55121, USA. Patents Pending and Patented U.S. & Foreign. Ergotron is a registered trademark of Ergotron, Inc.

Americas Sales and Corporate Headquarters

St. Paul, MN USA
(800) 888-8458
+1-651-681-7600
www.ergotron.com
sales@ergotron.com

EMEA Sales

Amersfoort, The Netherlands
+31 33 45 45 600
www.ergotron.com
info.eu@ergotron.com

APAC Sales

Tokyo, Japan
www.ergotron.com
apaccustomerservice@ergotron.com

Worldwide OEM Sales

www.ergotron.com
info.oem@ergotron.com

© 2014 Ergotron, Inc. All rights reserved.

888-24-274-W-00 rev. C • 12/15