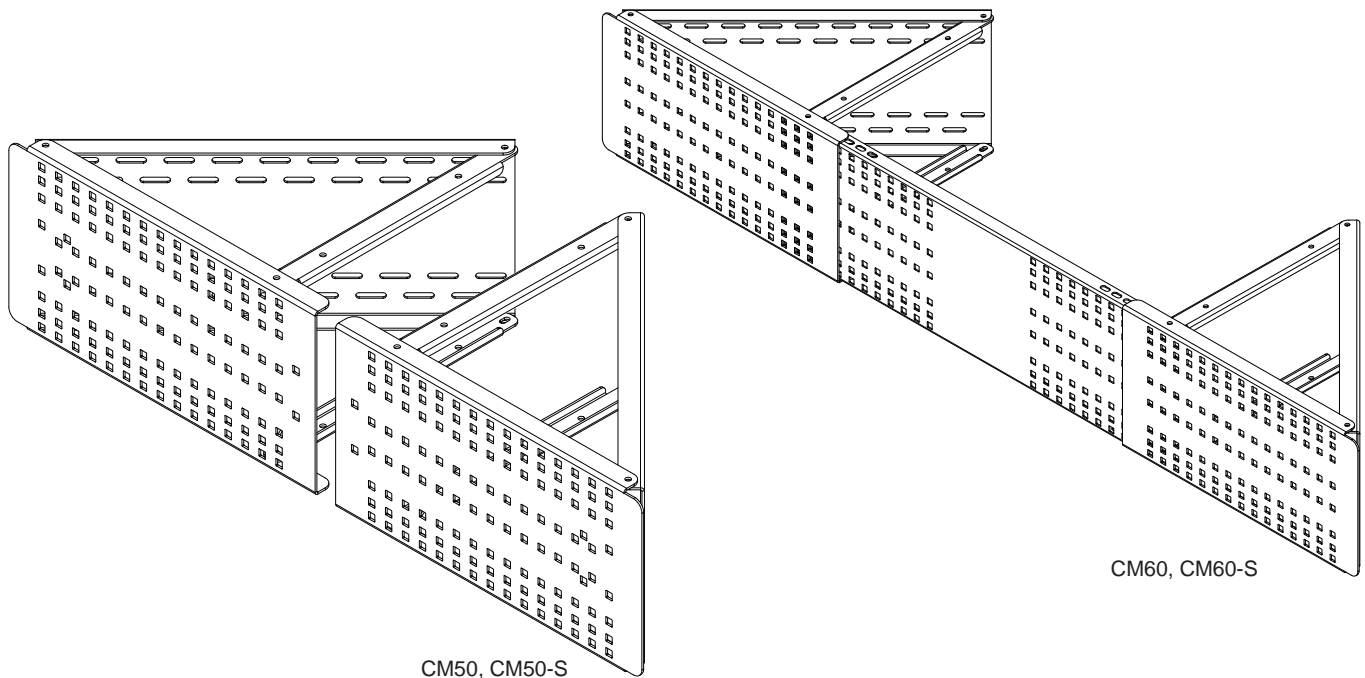




## Installation and Assembly: Flat Panel Corner Mounting Accessory for 32" – 60" LCD and Plasma Screens

Model	Screen Size Range	Maximum Load Capacity	Compatibility
CM50, CM50-S	32"-50"	175 lb (79.4 kg)	SF640/ST640 PF640/PT640 SF650/ST650 PF650/PT650 ONE-TP (2-plate configuration)
CM60, CM60-S	40"-60"	200 lb (90.8 kg)	SF640/ST640 PF640/PT640 SF650/ST650 PF650/PT650 SF660/ST660 PF660/PT660 ONE-TP (3-plate configuration)



### Features

- Allows screen to fit in corner where space is limited
- CM50(-S) wall units expand to support compatible flat/tilt wall mounts for screens from 32" – 50"
- CM60(-S) includes additional support plate to accommodate compatible flat/tilt wall mounts for screens from 40" – 60"
- Wall units accommodate speakers when used with smaller screens (wall unit maybe visible with some smaller screens)
- Accessory shelf available for A/V components (sold separately)
- Mounts to wood studs, concrete, cinder block

**Note:** Read entire instruction sheet before you start installation and assembly.

## **WARNING**

- Do not begin to install your Peerless product until you have read and understood the instructions and warnings contained in this Installation Sheet. If you have any questions regarding any of the instructions or warnings, please call Peerless customer care at 1-800-865-2112.
- This product should only be installed by someone of good mechanical aptitude, has experience with basic building construction, and fully understands these instructions.
- Make sure that the supporting surface will safely support the combined load of the equipment and all attached hardware and components.
- Never exceed the Maximum Load Capacity. See page 1.
- If mounting to wood wall studs, make sure that mounting screws are anchored into the center of the studs. Use of an "edge to edge" stud finder is highly recommended.
- Always use an assistant or mechanical lifting equipment to safely lift and position equipment.
- Tighten screws firmly, but do not overtighten. Overtightening can damage the items, greatly reducing their holding power.
- This product is intended for indoor use only. Use of this product outdoors could lead to product failure and personal injury.
- This product was designed and intended to be mounted to the following supporting surfaces checked below with the hardware included in this product as specified in the installation sheet. To mount this product to an alternative supporting surface, contact Peerless customer care at 1-800-865-2112.
- This product was designed to be installed on the following wall construction only;

### **WALL CONSTRUCTION**

### **HARDWARE REQUIRED**

- |                    |                                |
|--------------------|--------------------------------|
| • Wood Stud        | Included                       |
| • Wood Beam        | Included                       |
| • Solid Concrete   | Included                       |
| • Cinder Block     | Included                       |
| • Brick            | Contact Qualified Professional |
| • Other or unsure? | Contact Qualified Professional |

## **Tools Needed for Assembly**

- stud finder (edge-to-edge stud finder recommended)
- phillips screwdriver
- drill
- 5/32" drill bit for wood stud wall
- 5/16" drill bit for concrete wall
- level

## **Accessories**

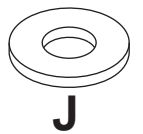
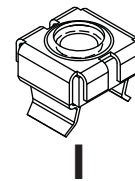
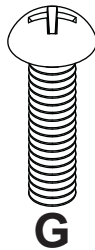
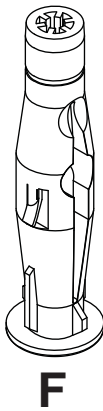
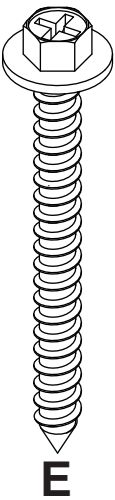
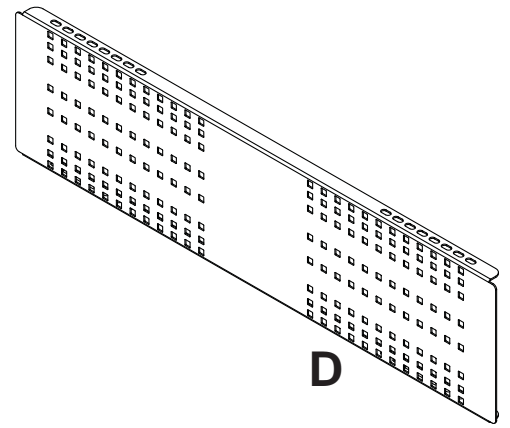
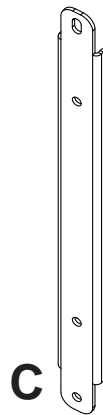
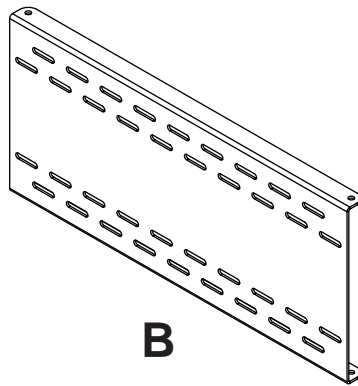
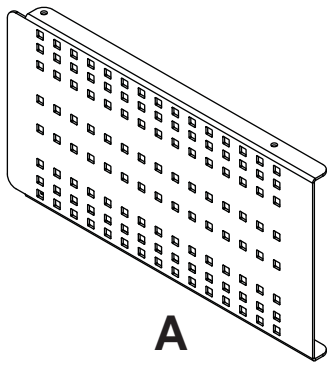
- ACC324(-S) - Shelving Unit for Corner Mount
- ACC930 - Fastener pack for speaker mounts

## **Table of Contents**

Parts List.....	3
Installation to Interior Corner Wood Stud Walls.....	4
Installation to Exterior Corner Wood Stud Walls.....	5
Installation to Interior Concrete or Cinder Block Walls .....	6
Installation to Exterior Concrete or Cinder Block Walls .....	7
Attaching Interface Plate and Center Plate .....	8, 9
Installing Speaker Mounts .....	10

Before you begin, make sure all parts shown are included with your product.  
Parts may appear slightly different than illustrated.

Parts List		Qty.	CM50	CM50-S	CM60	CM60-S
<b>A</b>	interface plate	2	120-1075	120-4075	120-1075	120-4075
<b>B</b>	wall plate	2	120-1076	120-4076	120-1076	120-4076
<b>C</b>	support brackets	4	120-1077	120-4077	120-1077	120-4077
<b>D</b>	center plate	1	n/a	n/a	120-1078	120-4078
<b>E</b>	#14 x 2.5" wood screws	8	5S1-015-C03	5S1-015-C03	5S1-015-C03	5S1-015-C03
<b>F</b>	concrete anchors	8	590-0320	590-0320	590-0320	590-0320
<b>G</b>	1/4-20 x 1" round phillips head screw	24	510-9110	510-9110	510-9110	510-9110
<b>H</b>	1/4-20 flanged serrated locknut	16	530-1021	530-1021	530-1021	530-1021
<b>I</b>	1/4-20 Tinnerman® cage nut	12	530-2050	530-2050	530-2050	530-2050
<b>J</b>	1/4" flat washer	24	540-9440	540-9440	540-9440	540-9440



# Installing to Interior Corner Wood Stud Wall

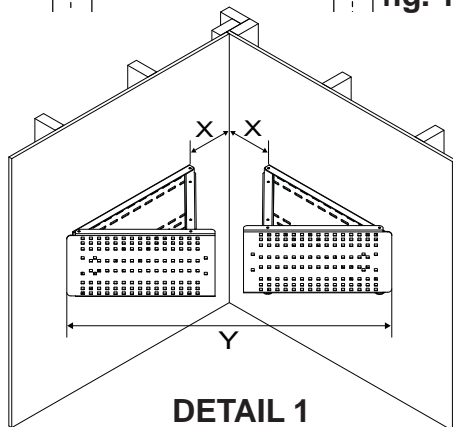
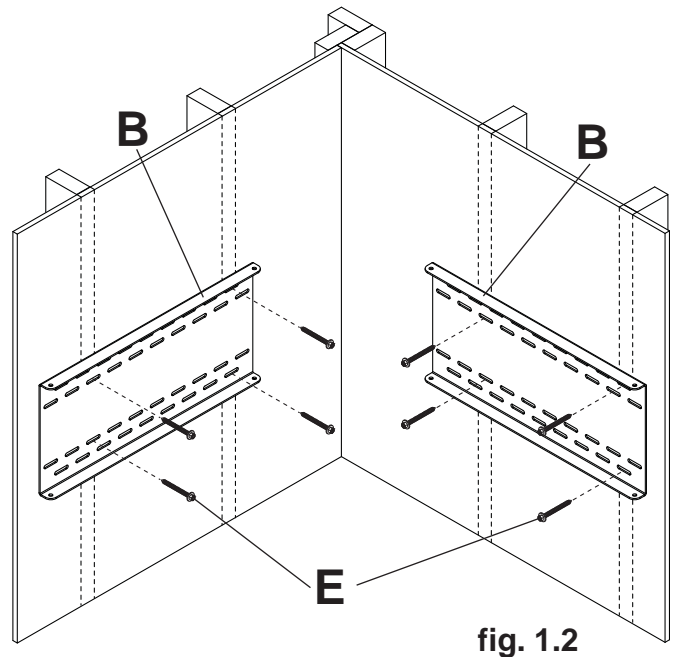
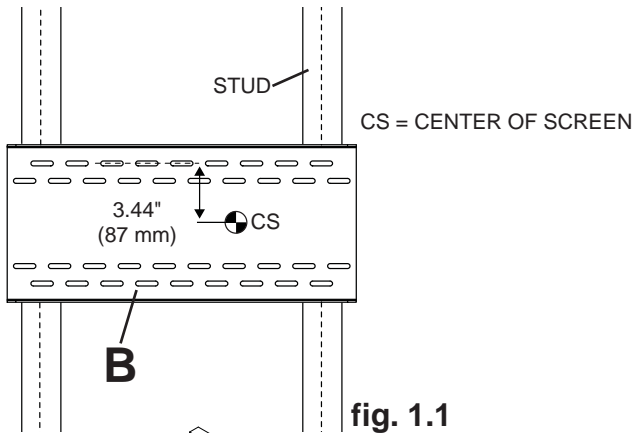
## ⚠ WARNING

- Installer must verify that the supporting surface will safely support the combined load of the equipment and all attached hardware and components.
- Tighten wood screws so that wall plate is firmly attached, but do not overtighten. Overtightening can damage the screws, greatly reducing their holding power.
- Never tighten in excess of 80 in. • lb (9 N.M.).
- Make sure that mounting screws are anchored into the center of the stud. The use of an "edge to edge" stud finder is highly recommended.
- Hardware provided is for attachment of mount through standard thickness drywall or plaster into wood studs. Installers are responsible to provide hardware for other types of mounting situations.

**1** Wall plates (**B**) can be mounted to one or two studs that are 16" apart. Use a stud finder to locate the edges of the studs. Use of an edge-to-edge stud finder is highly recommended. Based on their edges, draw a vertical line down each stud's center on both walls. **NOTE:** Depending on placement of studs on wall corners, mounting to two studs may not be possible.

Determine the distance from the corner of the wall to the inside edge of the wall plates (**B**) using the equation below and detail 1 to get distance "X". **NOTE:** If mounting speaker mounts to sides of corner mount, screen can be no larger than 40". See page 10 for speaker mount installation.

Measure "X" distance from corner of wall and mark location for inside edge of wall plate. The top mounting slots of wall plate should be located 3.44" (87 mm) above the desired screen center as shown in fig 1.1. Level wall plate, align to location marked for inside edge of wall plate and mark four slots in alignment with center of studs. Repeat for opposite wall plate. Drill 5/32" (4 mm) dia. holes to a minimum depth of 2.5" (64 mm). Make sure that wall plates are level and secure using #14 x 2.5" wood screws (**E**).



$$"X" = \frac{Y}{1.414} - 21.216$$

## Installing to Exterior Corner Wood Stud Wall

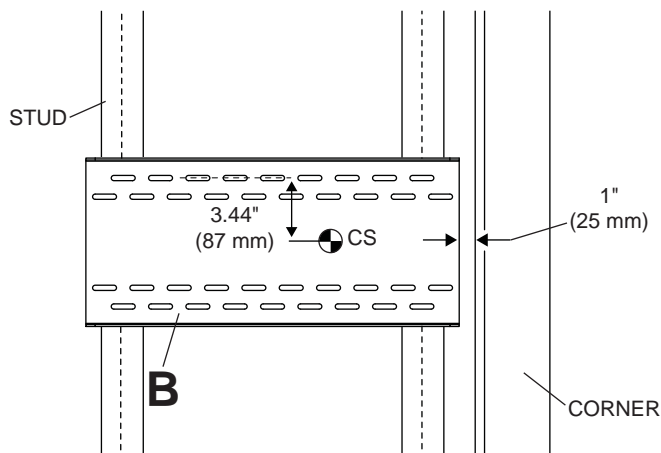
### ⚠ WARNING

- Installer must verify that the supporting surface will safely support the combined load of the equipment and all attached hardware and components.
- Tighten wood screws so that wall plate is firmly attached, but do not overtighten. Overtightening can damage the screws, greatly reducing their holding power.
- Never tighten in excess of 80 in. • lb (9 N.M.).
- Make sure that mounting screws are anchored into the center of the stud. The use of an "edge to edge" stud finder is highly recommended.
- Hardware provided is for attachment of mount through standard thickness drywall or plaster into wood studs. Installers are responsible to provide hardware for other types of mounting situations.

**1** Wall plates (**B**) can be mounted to one or two studs that are 16" apart. Use a stud finder to locate the edges of the studs. Use of an edge-to-edge stud finder is highly recommended. Based on their edges, draw a vertical line down each stud's center on both walls. **NOTE:** Depending on placement of studs on wall corners, mounting to two studs may not be possible.

**NOTE:** If mounting speaker mounts to sides of corner mount, screen can be no larger than 40". See page 10 for speaker mount installation.

Measure 1" (25 mm) from corner of wall and mark location for inside edge of wall plate. The top mounting slots of wall plate should be located 3.44" (87 mm) above the desired screen center as shown in fig 1.3. Level wall plate, align to location marked for inside edge of wall plate and mark four slots in alignment with center of studs. Repeat for opposite wall plate. Drill 5/32" (4 mm) dia. holes to a minimum depth of 2.5" (64 mm). Make sure that wall plates are level and secure using #14 x 2.5" wood screws (**E**).



CS = CENTER OF SCREEN

fig. 1.3

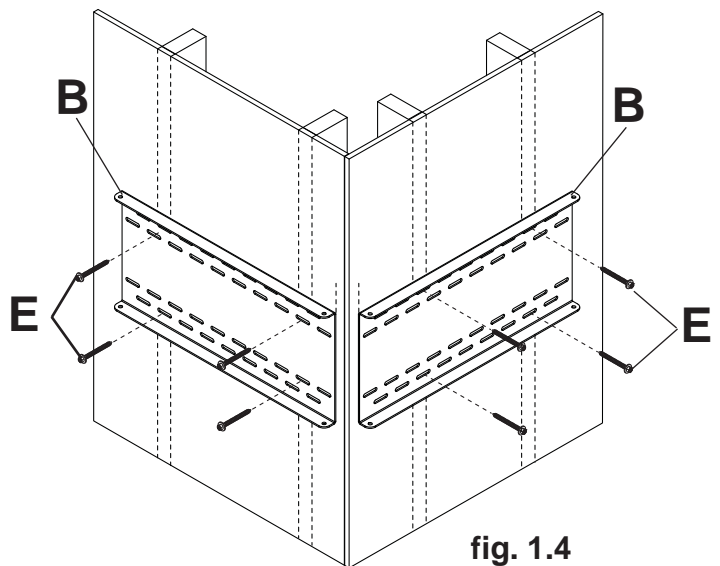


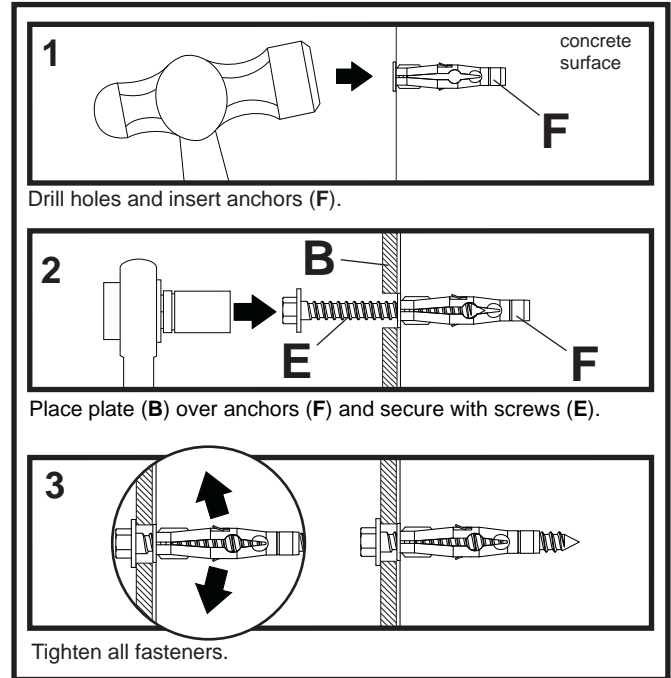
fig. 1.4

# Installing to Interior Corner Concrete or Cinder Block Wall

## ⚠ WARNING

- When installing Peerless wall mounts on cinder block, verify that you have a minimum of 1-3/8" of actual concrete thickness in the hole to be used for the concrete anchors. Do not drill into mortar joints! Be sure to mount in a solid part of the block, generally 1" minimum from the side of the block. Cinder block must meet ASTM C-90 specifications. It is suggested that a standard electric drill on slow setting is used to drill the hole instead of a hammer drill to avoid breaking out the back of the hole when entering a void or cavity.
- Concrete must be 2000 psi density minimum. Lighter density concrete may not hold concrete anchor.
- Installer must verify that the supporting surface will safely support the combined load of the equipment and all attached hardware and components.

- 1** Determine the distance from the corner of the wall to the inside edge of the wall plate (**B**) using the equation and detail 1 on page 4 to get distance "X".
- NOTE:** If mounting speaker mounts to sides of corner mount, screen can be no larger than 40". See page 10 for speaker mount installation.
- Measure "X" distance from corner of wall and mark location for inside edge of wall plate. The top mounting slots of wall plate should be located 3.44" (87 mm) above the desired screen center as shown in fig 1.1 on page 4. Level wall plate (**B**), align to location marked for inside edge of wall plate and mark four slots in alignment with center of studs. Repeat for opposite wall plate. Drill 5/16" (8 mm) dia. holes to a minimum depth of 2.5" (64 mm). Insert anchors (**F**) in holes flush with wall as shown (right). Place wall plate over anchors, make sure that wall plates are level and secure using #14 x 2.5" wood screws (**E**).

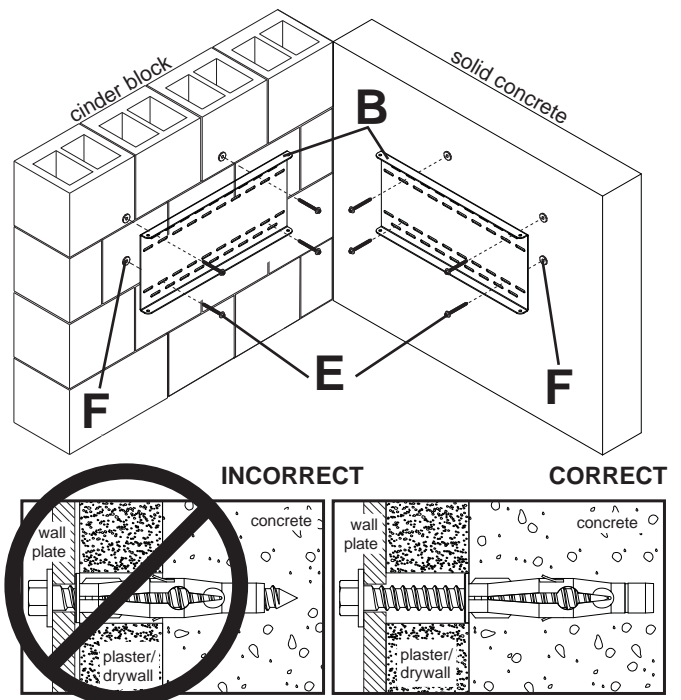


## ⚠ WARNING

- Tighten screws so that wall plate is firmly attached, but do not overtighten. Overtightening can damage screws, greatly reducing their holding power.
- Never tighten in excess of 80 in. • lb (9 N.M.).

## ⚠ WARNING

- Always attach concrete anchors directly to load-bearing concrete.
- Never attach concrete anchors to concrete covered with plaster, drywall, or other finishing material. If mounting to concrete surfaces covered with a finishing surface is unavoidable, the finishing surface must be counterbored as shown right. Be sure concrete anchors do not pull away from concrete when tightening screws. If plaster/drywall is thicker than 5/8", custom fasteners must be supplied by installer.

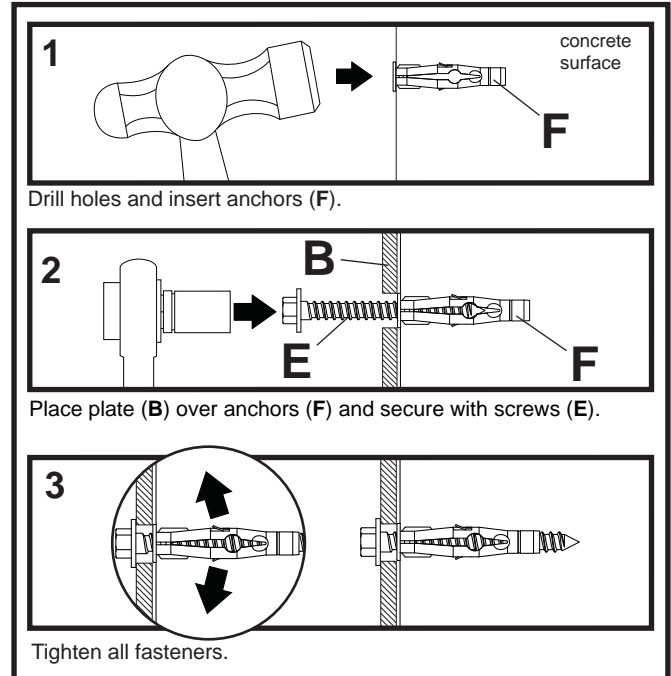


## Installing to Exterior Corner Concrete or Cinder Block Wall

### ⚠ WARNING

- When installing Peerless wall mounts on cinder block, verify that you have a minimum of 1-3/8" of actual concrete thickness in the hole to be used for the concrete anchors. Do not drill into mortar joints! Be sure to mount in a solid part of the block, generally 1" minimum from the side of the block. Cinder block must meet ASTM C-90 specifications. It is suggested that a standard electric drill on slow setting is used to drill the hole instead of a hammer drill to avoid breaking out the back of the hole when entering a void or cavity.
- Concrete must be 2000 psi density minimum. Lighter density concrete may not hold concrete anchor.
- Installer must verify that the supporting surface will safely support the combined load of the equipment and all attached hardware and components.

- 1** **NOTE:** If mounting speaker mounts to sides of corner mount, screen can be no larger than 40". See page 10 for speaker mount installation. Measure 1" (25 mm) from corner of wall and mark location for inside edge of wall plate. The top mounting slots of wall plate should be located 3.44" (87 mm) above the desired screen center as shown in fig 1.3 on page 5. Level wall plate (B), align to location marked for inside edge of wall plate and mark four slots in alignment with center of studs. Repeat for opposite wall plate. Drill 5/16" (8 mm) dia. holes to a minimum depth of 2.5" (64 mm). Insert anchors (F) in holes flush with wall as shown (right). Place wall plate over anchors, make sure that wall plates are level and secure using #14 x 2.5" wood screws (E).

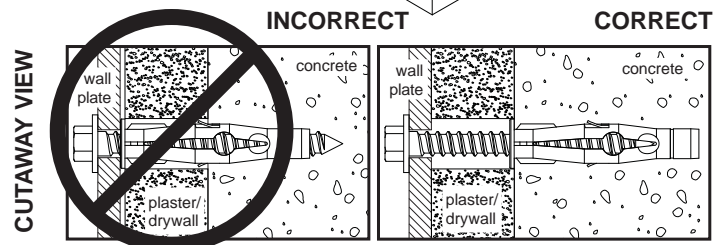
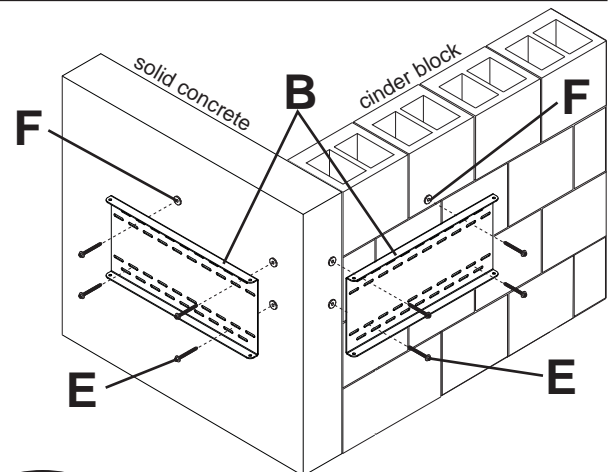


### ⚠ WARNING

- Tighten screws so that wall plate is firmly attached, but do not overtighten. Overtightening can damage screws, greatly reducing their holding power.
- Never tighten in excess of 80 in. • lb (9 N.M.).

### ⚠ WARNING

- Always attach concrete anchors directly to load-bearing concrete.
- Never attach concrete anchors to concrete covered with plaster, drywall, or other finishing material. If mounting to concrete surfaces covered with a finishing surface is unavoidable, the finishing surface must be counterbored as shown right. Be sure concrete anchors do not pull away from concrete when tightening screws. If plaster/drywall is thicker than 5/8", custom fasteners must be supplied by installer.



## Attaching Interface Plate

- 2 Attach interface plate (A) to wall plate (B) using two sets of 1/4-20 x 1" round phillips head screws (G), 1/4" flat washers (J) and 1/4-20 flanged serrated locknuts (H) as shown in fig 2.1 or 2.2 for interior corners or fig 2.3 or 2.4 for exterior corners. Repeat for opposite interface plate.

**NOTE:** Be sure top flange of interface plate (A) rests on top flange of wall plate (B).  
**NOTE:** Do not fully tighten fasteners.

LEFT INTERIOR CORNER

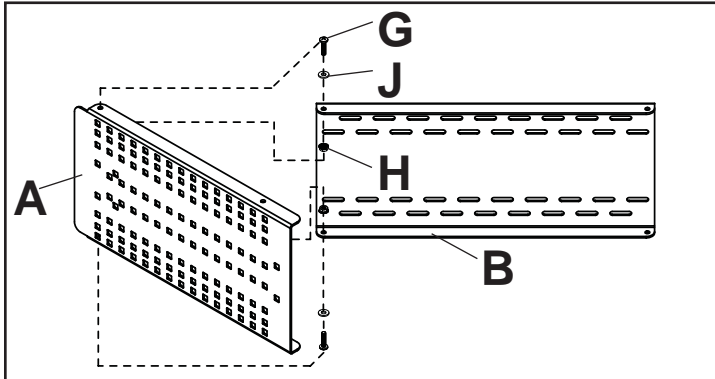


fig. 2.1

RIGHT INTERIOR CORNER

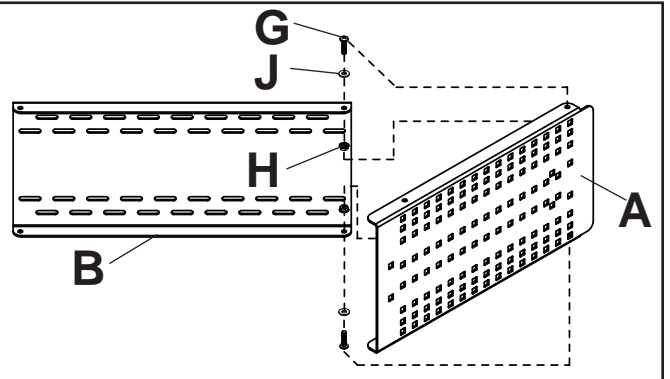


fig. 2.2

LEFT EXTERIOR CORNER

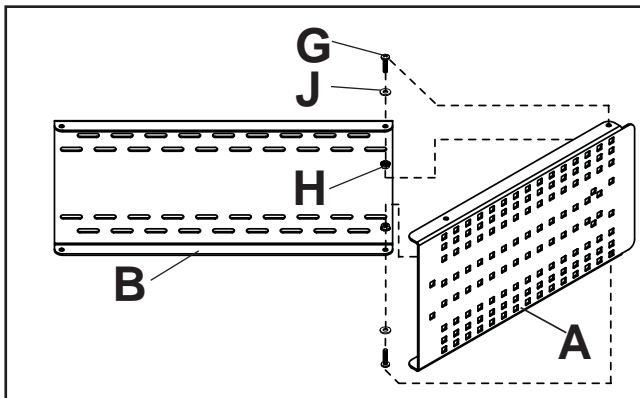


fig. 2.3

RIGHT EXTERIOR CORNER

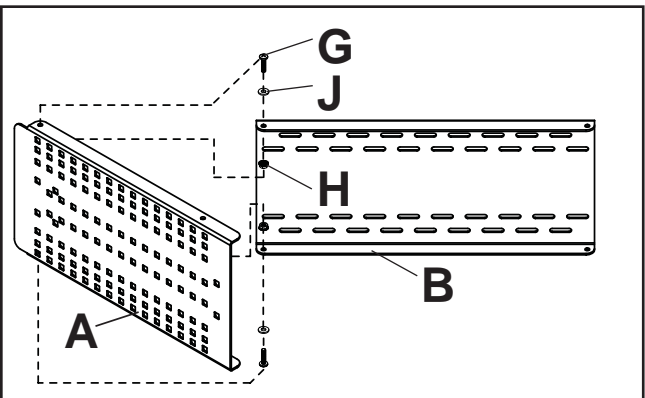


fig. 2.4



## Installing Support Brackets and Center Plate

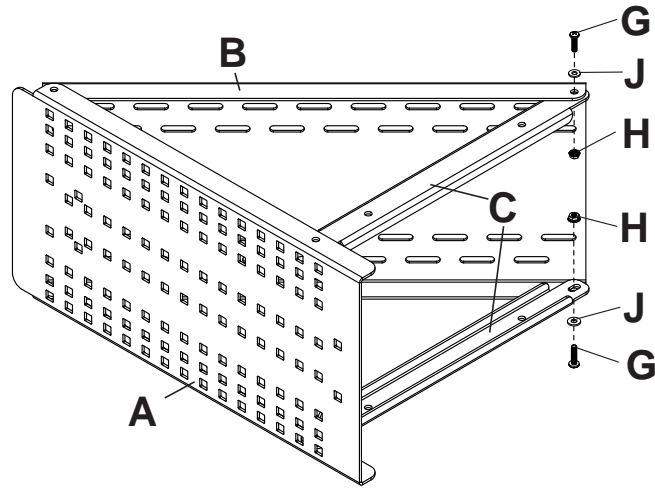
3-1

**NOTE:** Use center plate (D) when mounting pattern for wall plate of mount is narrower than opening between interface plates (A).

Attach support brackets (C) to rear of wall plate (B) using 1/4-20 x 1" round phillips head screw (G), 1/4" flat washer (J) and 1/4-20 flanged serrated locknut (H) for each support bracket as shown below.

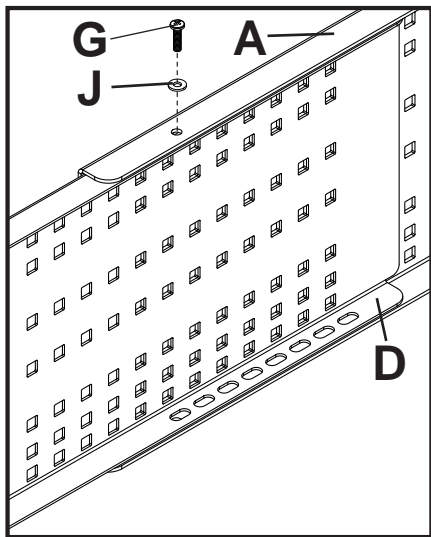
**NOTE:** Be sure flange of support bracket faces inside of interface plate and wall plate. **NOTE:** Do not fully tighten fasteners.

*Skip to step 3-3 if not installing center plate.*



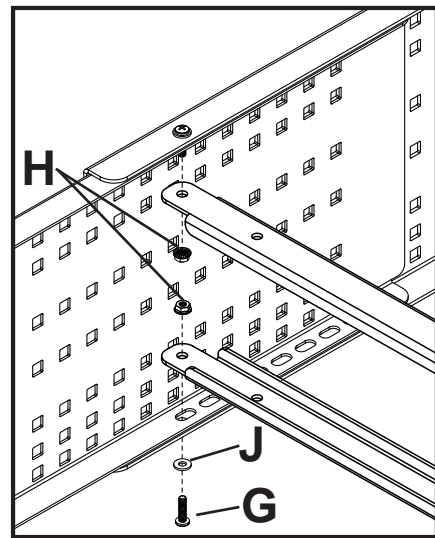
3-2

Swing adapter brackets (C) away from front of mount. Slide center plate (D) behind interface plate (A) and center between the two interface plates. Align top and bottom holes of interface plate with slots of center plate. Hand thread 1/4-20 x 1" round phillips head screw (G) and 1/4" flat washer (J) through top hole only.



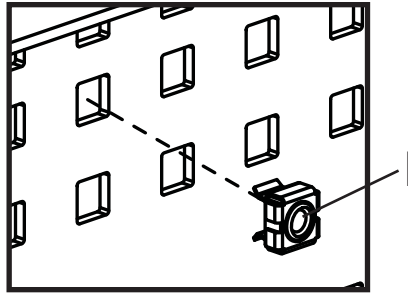
3-3

Swing adapter brackets (C) towards front of mount. Guide top adapter bracket through top screw and fasten using 1/4-20 flanged serrated locknut (H). Align hole of bottom adapter bracket with bottom hole and fasten using 1/4-20 x 1" round phillips head screw (G), 1/4" flat washer (J) and 1/4-20 flanged serrated locknut (H).



- 4 Align wall plate of wall mount with interface plates (A) to determine location of cage nuts (I) used to secure wall plate to interface plates. Install cage nuts from rear side of interface plates (A) as shown in detail 2.

**NOTE:** Install wall plate and remaining wall mount assembly according to instructions provided with wall mount.



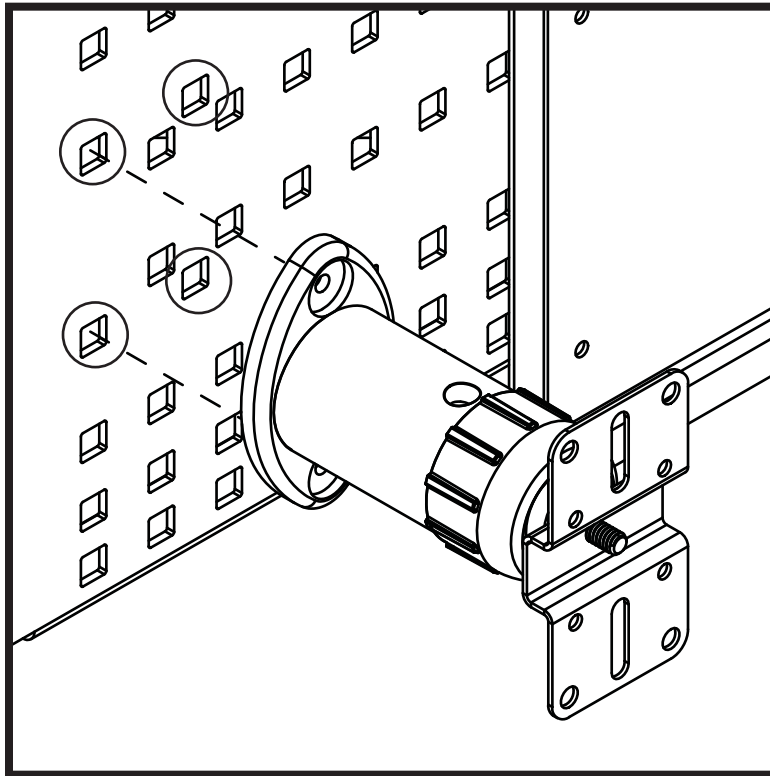
DETAIL 2

### Installing Speaker Mounts (optional)

- 5 **NOTE:** Corner mount may be visible with smaller size screens.

- NOTE:** Speaker mount (sold separately) may appear different than illustrated. ACC930 (sold separately) is required to attach speaker mount.

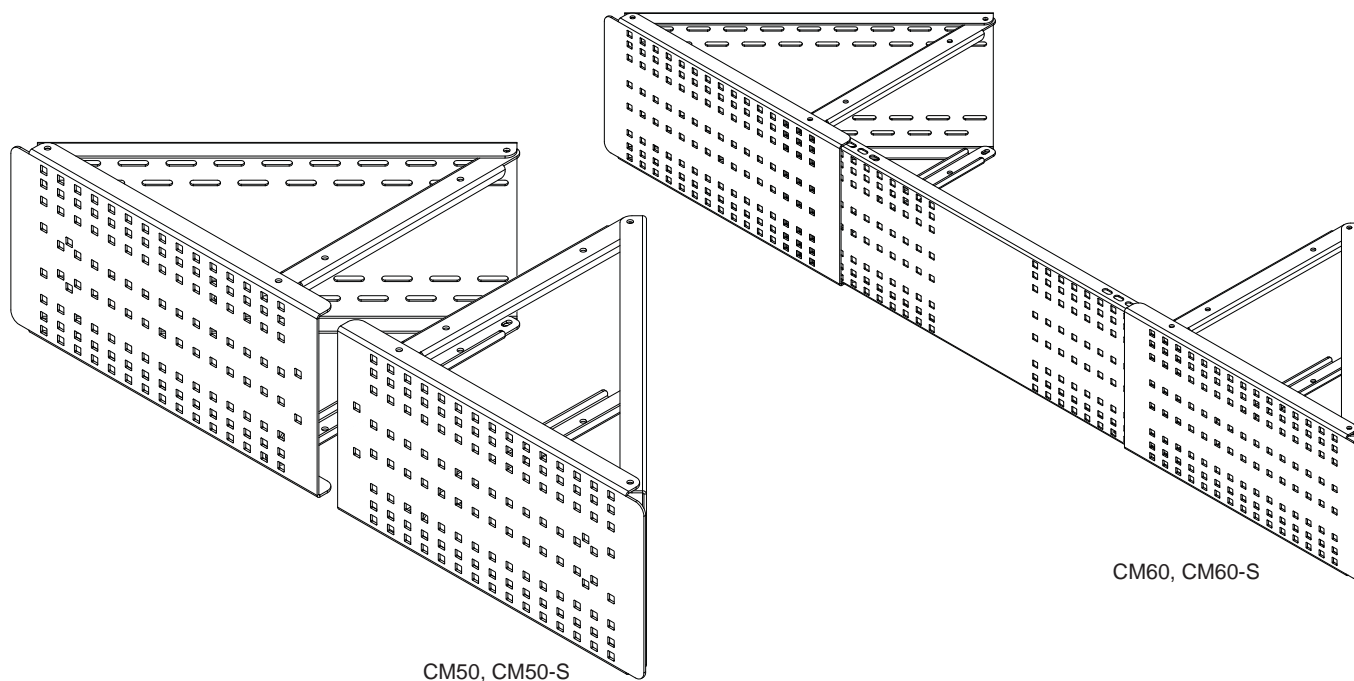
Using hole pattern shown below, attach speaker mount to interface plate (A) using two screws and two washers through the front and two nuts through the rear. **NOTE:** Fasteners not included for installing speaker mount.



# peerless-AV™

## Instalación y ensamblaje: Accesorio de instalación en esquinas para pantallas planas de LCD o de plasma de 32" – 60"

Modelo	Tamaños de las Pantallas	Máxima capacidad de carga	Gama de Compatibilidad
CM50, CM50-S	32"-50"	175 lb (79.4 kg)	SF640/ST640 PF640/PT640 SF650/ST650 PF650/PT650 ONE-TP (2-placa)
CM60, CM60-S	40"-60"	200 lb (90.8 kg)	SF640/ST640 PF640/PT640 SF650/ST650 PF650/PT650 SF660/ST660 PF660/PT660 ONE-TP (3-placa)



### **CARACTERÍSTICAS**

- Permite que la pantalla se acomode en una esquina, donde el espacio es limitado
- Las unidades para pared CM50(-S) se expanden para sostener los soportes de pared compatibles planos o inclinables para pantallas de 32" – 50"
- El modelo CM60(-S) incluye una placa sostenedora adicional para acomodar los soportes de pared compatibles planos o inclinables para pantallas de 40" – 60"
- Las unidades para pared acomodan altavoces si se instala una pantalla pequeña (es posible que se vean las unidades para pared si la pantalla es pequeña)
- Repisa de accesorios disponible para componentes de A/V (se vende por separado)
- Se instala en montantes de madera, concreto, bloques de hormigón de escorias

## ⚠ **ADVERTENCIA**

- No comience a instalar el producto hasta haber leído y entendido las instrucciones y las advertencias contenidas en la Hoja de Instalación. Si tiene alguna pregunta acerca de cualquiera de las instrucciones o las advertencias, por favor, llame a Servicio al Cliente al 1-800-865-2112.
- Este producto sólo debe ser instalado por una persona que tenga una buena aptitud mecánica, que tenga experiencia en construcción básica de edificios y que entienda estas instrucciones en su totalidad.
- Asegúrese de que la superficie de apoyo sostendrá, con seguridad, la carga combinada del equipo y todos los fijadores y componentes.
- Nunca sobrepase la capacidad máxima de soportar carga aceptada. Vea la página 11.
- Si va a instalar el producto en una pared con montantes de madera, asegúrese de que los tornillos de montaje estén anclados en el centro de los montantes. Se recomienda utilizar un localizador de montantes de "borde a borde".
- Siempre cuente con la ayuda de un asistente o utilice un equipo mecánico de izar para levantar y colocar el equipo con más seguridad.
- Apriete los tornillos con firmeza, pero no en exceso. Apretarlos en exceso puede dañar los artículos y puede disminuir significativamente su fuerza de fijación.
- Este producto está diseñado para uso en interiores solamente. Utilizar este producto en exteriores podría causar fallas del producto y lesiones a individuos.
- Este producto fue diseñado con la intención de que se instale en las superficies de apoyo marcadas abajo con los accesorios de instalación incluidos en este producto como se especifica en la hoja de instalación. Para instalar este producto en otra superficie de apoyo, llame a Servicio al Cliente al 1-800-865-2112.
- Este producto fue diseñado para ser instalado en paredes con la siguiente construcción solamente:

### CONSTRUCCIÓN DE LA PARED

- Montante de madera
- Viga de madera
- Concreto macizo
- Bloque de hormigón de escorias
- Ladrillo
- ¿Otra superficie o no está seguro?

### ACCESORIOS NECESARIOS

- Incluido
- Incluido
- Incluido
- Incluido
- Comuníquese con un profesional calificado
- Comuníquese con un profesional calificado

## Herramientas necesarias para el ensamblaje

- localizador de montantes (se recomienda uno de "borde a borde")
- destornillador phillips
- taladro
- broca de 5/32" para paredes con montantes de madera
- broca de 5/16" para paredes de concreto y de bloque de hormigón de escorias
- nivel

## Accesorios

- ACC324(-S) - Unidad de repisa para el soporte de esquina
- ACC930 - Juego de sujetadores para los soportes para altavoces

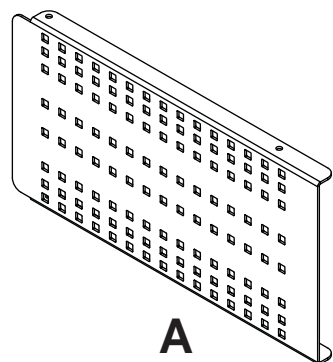
## Tabla de contenido

Lista de piezas.....	13
Instalación en una esquina interior de una pared con montantes de madera.....	14
Instalación en una esquina exterior de una pared con montantes de madera.....	15
Instalación en una esquina interior de una pared concreto.....	16
Instalación en una esquina exterior de una pared concreto.....	17
Fijar la placa de interface y la placa central .....	18, 19
Instalación de los soportes para altavoces.....	20

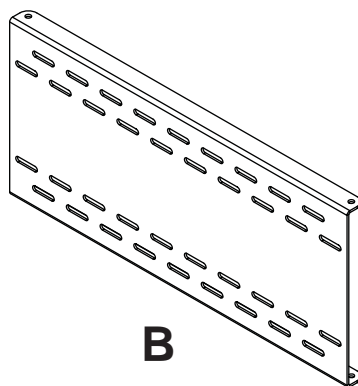
Antes de comenzar, asegúrese de que su producto contiene todas las piezas que se muestran.  
Las piezas podrían verse ligeramente diferentes a las ilustradas.

## Lista de piezas

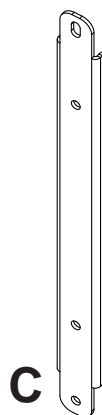
Descripción	Cantidad	CM50	CM50-S	CM60	CM60-S
<b>A</b> placa de interface	2	120-1075	120-4075	120-1075	120-4075
<b>B</b> placa de pared	2	120-1076	120-4076	120-1076	120-4076
<b>C</b> soportes sostenedores	4	120-1077	120-4077	120-1077	120-4077
<b>D</b> placa central	1	n/a	n/a	120-1078	120-4078
<b>E</b> tornillos para madera de 14 x 2.5"	8	5S1-015-C03	5S1-015-C03	5S1-015-C03	5S1-015-C03
<b>F</b> Anclajes para concreto	8	590-0320	590-0320	590-0320	590-0320
<b>G</b> tornillo phillips de cabeza redonda de 1/4-20 x 1"	24	510-9110	510-9110	510-9110	510-9110
<b>H</b> contratuerca dentada bridada de 1/4-20	16	530-1021	530-1021	530-1021	530-1021
<b>I</b> tuerca en jaula de Tinnerman® 1/4-20	12	530-2050	530-2050	530-2050	530-2050
<b>J</b> arandela plana de 1/4"	24	540-9440	540-9440	540-9440	540-9440



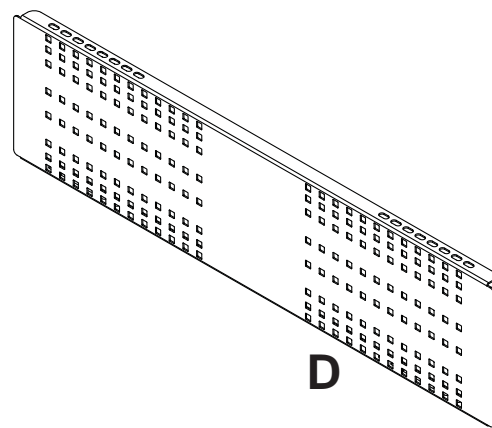
A



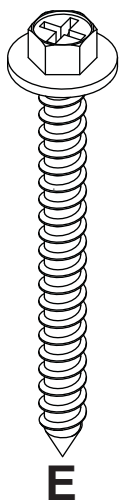
B



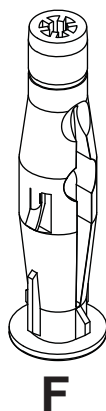
C



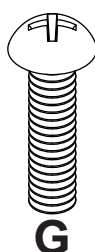
D



E



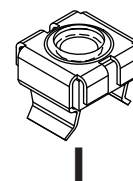
F



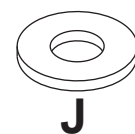
G



H



I



J

# Instalación en una esquina interior de una pared con montantes de madera

## ⚠ ADVERTENCIA

- El instalador tiene que asegurarse de que la superficie de apoyo sostendrá, con seguridad, la carga combinada del equipo y todos los fijadores y componentes.
- Apriete los tornillos de madera de manera que la placa de pared se fije firmemente, pero no en exceso. Apretar los en exceso puede dañar los tornillos y puede disminuir significativamente su fuerza de fijación.
- Nunca apriete a más de 80 pulg-lb (9 N•m).
- Asegúrese de que los tornillos de montaje estén anclados en el centro del montante. Se recomienda utilizar un localizador de montantes de "borde a borde".
- Los accesorios para la instalación que se proveen son para fijar el soporte a montantes de madera a través de tabique de yeso-cartón o yeso de espesor estándar. Los instaladores son responsables de suministrar los accesorios necesarios para otros tipos de instalaciones.

**1** Las placas de pared (**B**) se pueden instalar en un montante o en dos montantes que tengan una separación de 16". Utilice un localizador de montantes para localizar los bordes de los montantes. Se recomienda utilizar un localizador de montantes de "borde a borde". Tomando los bordes como punto de referencia, trace una línea vertical por el centro de cada montante en ambas paredes. **NOTA:** Es posible que no se pueda realizar la instalación en dos montantes, dependiendo de la ubicación de los montantes en las esquinas de las paredes. Determine la distancia desde la esquina de la pared hasta el borde interior de las placas de pared (**B**) utilizando la ecuación que aparece abajo y el detalle 1 para conocer la distancia "X". **NOTA:** Si va a instalar soportes para altavoces a los lados del soporte de esquina, la pantalla no puede medir más de 40". Vea la página 20 para saber cómo se instalan los altavoces.

Mida la distancia "X" desde la esquina de la pared y marque la ubicación del borde interior de la placa de pared. Las ranuras de montaje superiores de la placa de pared deben estar ubicadas a 3.44" (87 mm) encima del punto donde quiere que quede el centro de la pantalla, como se muestra en la figura 1.1. Nivele la placa de pared, alinéela en la ubicación que marcó del borde interior de la placa de pared y marque las cuatro ranuras alineadas en el centro de los montantes. Haga lo mismo con la placa de pared opuesta. Taladre agujeros de 5/32" (4 mm) de diámetro a una profundidad mínima de 2.5" (64 mm). Asegúrese de que las placas de pared estén niveladas y fíjelas usando los tornillos para madera de 14 x 2.5" (**E**).

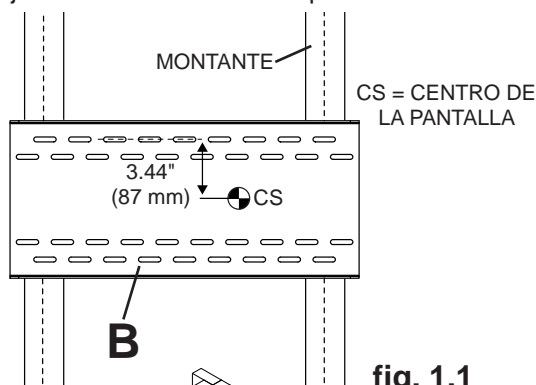
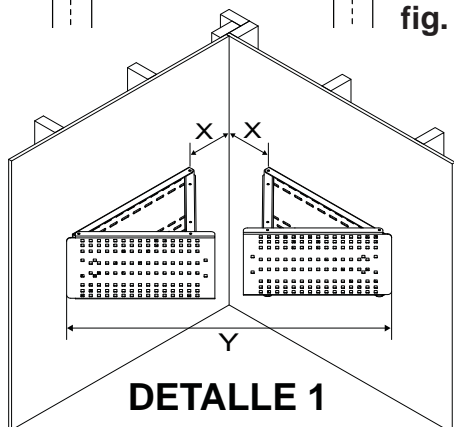


fig. 1.1



$$"X" = \frac{Y}{1.414} - 21.216$$

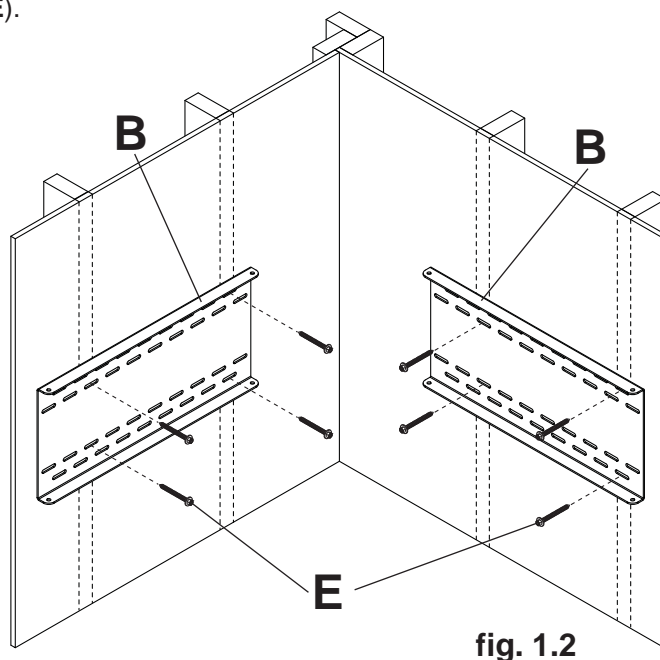


fig. 1.2

# Instalación en una esquina exterior de una pared con montantes de madera

## ⚠ ADVERTENCIA

- El instalador tiene que asegurarse de que la superficie de apoyo sostendrá, con seguridad, la carga combinada del equipo y todos los fijadores y componentes.
- Apriete los tornillos de madera de manera que la placa de pared se fije firmemente, pero no en exceso. Apretar los en exceso puede dañar los tornillos y puede disminuir significativamente su fuerza de fijación.
- Nunca apriete a más de 80 pulg-lb (9 N•m).
- Asegúrese de que los tornillos de montaje estén anclados en el centro del montante. Se recomienda utilizar un localizador de montantes de "borde a borde".
- Los accesorios para la instalación que se proveen son para fijar el soporte a montantes de madera a través de tabique de yeso-cartón o yeso de espesor estándar. Los instaladores son responsables de suministrar los accesorios necesarios para otros tipos de instalaciones.

- 1 Las placas de pared (**B**) se pueden instalar en un montante o en dos montantes que tengan una separación de 16". Utilice un localizador de montantes para localizar los bordes de los montantes. Se recomienda utilizar un localizador de montantes de "borde a borde". Tomando los bordes como punto de referencia, trace una línea vertical por el centro de cada montante en ambas paredes. **NOTA:** Es posible que no se pueda realizar la instalación en dos montantes, dependiendo de la ubicación de los montantes en las esquinas de las paredes. **NOTA:** Si va a instalar soportes para altavoces a los lados del soporte de esquina, la pantalla no puede medir más de 40". Vea la página 20 para saber cómo se instalan los altavoces. Mida una distancia de 1" (25 mm) desde la esquina de la pared y marque la ubicación del borde interior de la placa de pared. Las ranuras de montaje superiores de la placa de pared deben estar ubicadas a 3.44" (87 mm) encima del punto donde quiere que quede el centro de la pantalla, como se muestra en la figura 1.3. Nivele la placa de pared, alinéela en la ubicación que marcó del borde interior de la placa de pared y marque las cuatro ranuras alineadas en el centro de los montantes. Haga lo mismo con la placa de pared opuesta. Taladre agujeros de 5/32" (4 mm) de diámetro a una profundidad mínima de 2.5" (64 mm). Asegúrese de que las placas de pared estén niveladas y fíjelas usando los tornillos para madera de 14 x 2.5" (**E**).

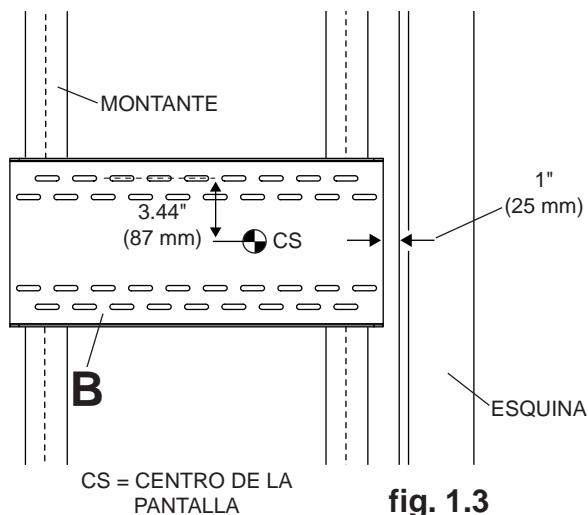


fig. 1.3

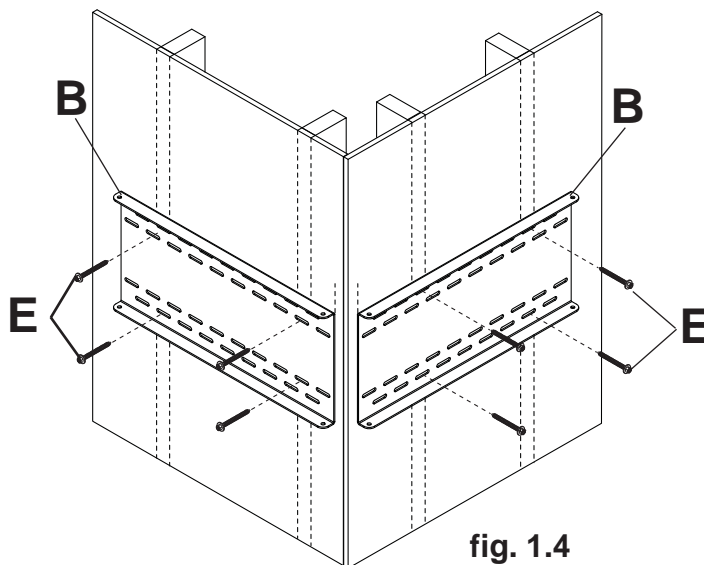


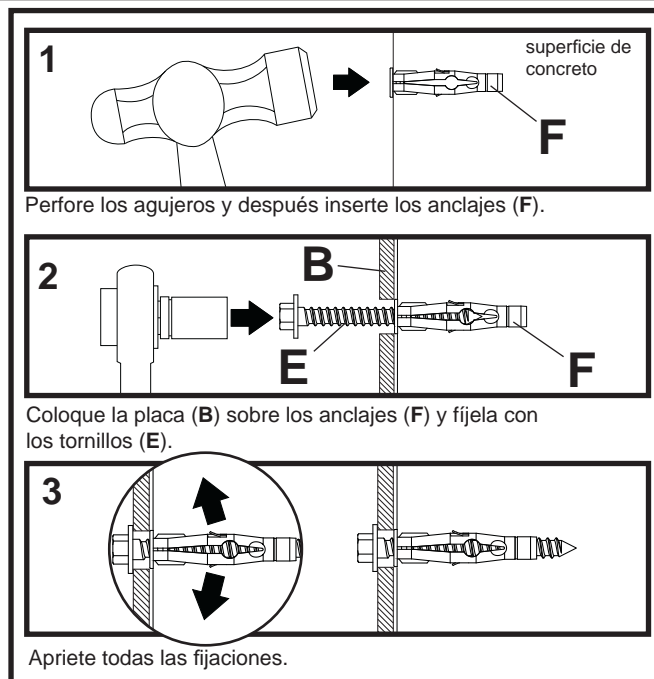
fig. 1.4

# Instalación en una esquina interior de una pared concreto

## ⚠️ ADVERTENCIA

- Cuando vaya a instalar soportes de pared de Peerless en bloques de hormigón de escorias, asegúrese de que cuente con una capa de concreto de un grosor mínimo de 1-3/8" en el agujero, que pueda usar para los anclajes para concreto. ¡No taladre en juntas de argamasa! Asegúrese de hacer la instalación en la parte sólida del bloque, por lo general, a un mínimo de 1" del extremo del bloque. Los bloques de hormigón de escorias tienen que cumplir las especificaciones de la ASTM C-90. Se sugiere utilizar un taladro eléctrico convencional a baja velocidad para hacer el agujero en vez de un taladro percutor para no perforar el fondo del agujero al entrar en un vacío o una cavidad.
- El concreto tiene que tener una densidad mínima de 2,000 psi. Es posible que un concreto de menos densidad no sostenga el anclaje para concreto.
- Asegúrese de que la superficie de apoyo sostendrá, con seguridad, la carga combinada del equipo y todos los fijadores y componentes.

- 1** Determine la distancia desde la esquina de la pared hasta el borde interior de la placa de pared (B) utilizando la ecuación y el detalle 1 de la página 14 para conocer la distancia "X". **NOTA:** Si va a instalar soportes para altavoces a los lados del soporte de esquina, la pantalla no puede medir más de 40". Vea la página 20 para saber cómo se instalan los altavoces. Mida la distancia "X" desde la esquina de la pared y marque la ubicación del borde interior de la placa de pared. Las ranuras de montaje superiores de la placa de pared deben estar ubicadas a 3.44" (87 mm) encima del punto donde quiere que quede el centro de la pantalla, como se muestra en la figura 1.1 de la página 14. Nivele la placa (B), alinéela en la ubicación que marcó del borde interior de la placa de pared y marque las cuatro ranuras alineadas en el centro de los montantes. Haga lo mismo con la placa de pared opuesta. Taladre agujeros de 5/16" (8 mm) de diámetro a una profundidad mínima de 2.5" (64 mm). Inserte los anclajes (F) en los agujeros a ras con la pared, como se muestra (a la derecha). Coloque la placa de pared sobre los anclajes, asegúrese de que las placas de pared estén niveladas y fíjelas usando los tornillos para madera de 14 x 2.5" (E).

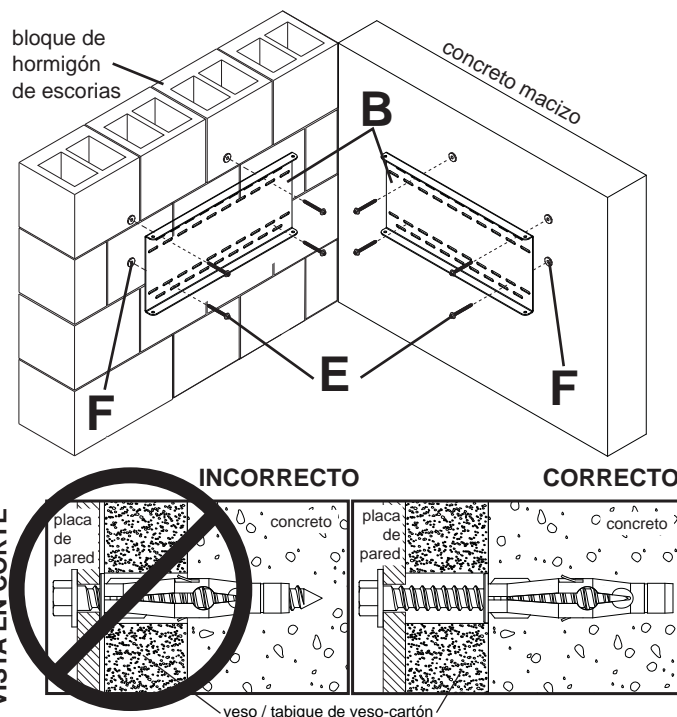


## ⚠️ ADVERTENCIA

- Apriete los tornillos de manera que la placa de pared se fije firmemente, pero no en exceso. Apretarlos en exceso puede dañar los tornillos y puede disminuir significativamente su fuerza de fijación.
- Nunca apriete a más de 80 pulg-lb (9 N•m).

## ⚠️ ADVERTENCIA

- Siempre fije los anclajes para concreto directamente en la pared que sostiene la carga.
- Nunca fije los anclajes para concreto a una pared de concreto recubierta con yeso, yeso-cartón u otro material de acabado. Si es inevitable hacer la instalación en una superficie de concreto recubierta con una superficie de acabado, la superficie de acabado tiene que ser escariada, como se muestra a la derecha. Asegúrese de que los anclajes para concreto no se separen del concreto cuando apriete los tornillos. Si la capa de yeso o de yeso-cartón tiene un grosor mayor que 5/8", el instalador tiene que suministrar las fijaciones especiales.





# Instalación en una esquina exterior de una pared concreto

## ⚠ ADVERTENCIA

- Cuando vaya a instalar soportes de pared de Peerless en bloques de hormigón de escorias, asegúrese de que cuente con una capa de concreto de un grosor mínimo de 1-3/8" en el agujero, que pueda usar para los anclajes para concreto. ¡No taladre en juntas de argamasa! Asegúrese de hacer la instalación en la parte sólida del bloque, por lo general, a un mínimo de 1" del extremo del bloque. Los bloques de hormigón de escorias tienen que cumplir las especificaciones de la ASTM C-90. Se sugiere utilizar un taladro eléctrico convencional a baja velocidad para hacer el agujero en vez de un taladro percutor para no perforar el fondo del agujero al entrar en un vacío o una cavidad.
- El concreto tiene que tener una densidad mínima de 2,000 psi. Es posible que un concreto de menos densidad no sostenga el anclaje para concreto.
- Asegúrese de que la superficie de apoyo sostendrá, con seguridad, la carga combinada del equipo y todos los fijadores y componentes.

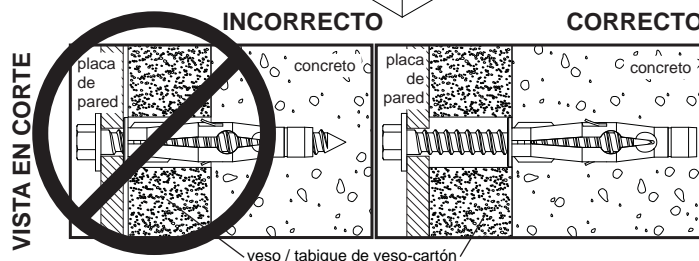
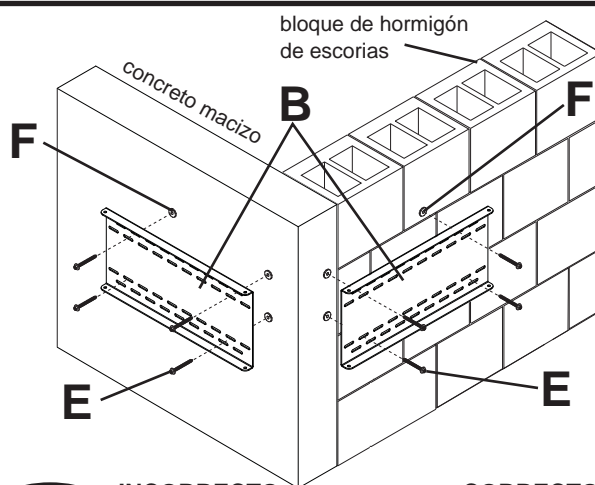
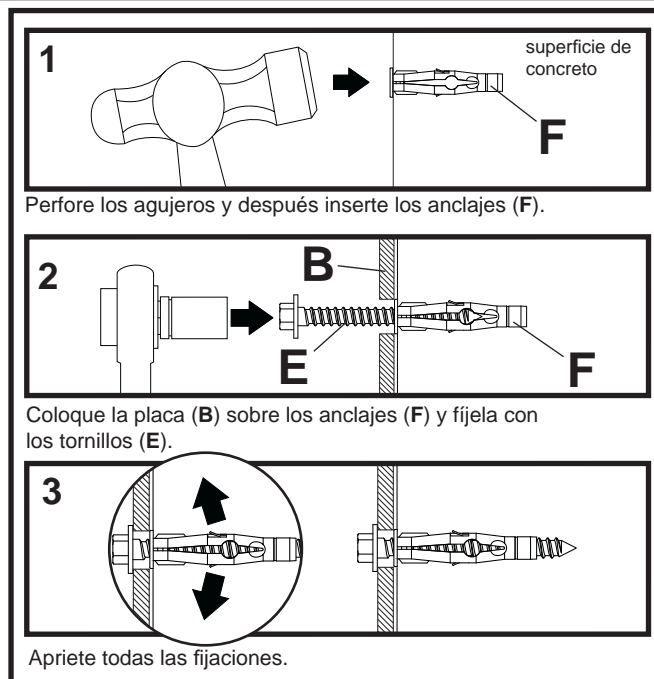
- 1 NOTA:** Si va a instalar soportes para altavoces a los lados del soporte de esquina, la pantalla no puede medir más de 40". Vea la página 20 para saber cómo se instalan los altavoces. Mida una distancia de 1" (25 mm) desde la esquina de la pared y marque la ubicación del borde interior de la placa de pared. Las ranuras de montaje superiores de la placa de pared deben estar ubicadas a 3.44" (87 mm) encima del punto donde quiere que quede el centro de la pantalla, como se muestra en la figura 1.3 de la página 15. Nivele la placa (B), alinéela en la ubicación que marcó del borde interior de la placa de pared y marque las cuatro ranuras alineadas en el centro de los montantes. Haga lo mismo con la placa de pared opuesta. Taladre agujeros de 5/16" (8 mm) de diámetro a una profundidad mínima de 2.5" (64 mm). Inserte los anclajes (F) en los agujeros a ras con la pared, como se muestra (a la derecha). Coloque la placa de pared sobre los anclajes, asegúrese de que las placas de pared estén niveladas y fijelas usando los tornillos para madera de 14 x 2.5" (E).

## ⚠ ADVERTENCIA

- Apriete los tornillos de manera que la placa de pared se fije firmemente, pero no en exceso. Apretarlos en exceso puede dañar los tornillos y puede disminuir significativamente su fuerza de fijación.
- Nunca apriete a más de 80 pulg-lb (9 N•m).

## ⚠ ADVERTENCIA

- Siempre fije los anclajes para concreto directamente en la pared que sostiene la carga.
- Nunca fije los anclajes para concreto a una pared de concreto recubierta con yeso, yeso-cartón u otro material de acabado. Si es inevitable hacer la instalación en una superficie de concreto recubierta con una superficie de acabado, la superficie de acabado tiene que ser escariada, como se muestra a la derecha. Asegúrese de que los anclajes para concreto no se separen del concreto cuando apriete los tornillos. Si la capa de yeso o de yeso-cartón tiene un grosor mayor que 5/8", el instalador tiene que suministrar las fijaciones especiales.



## Fijar la placa de interface

**2** Fije la placa de interface (A) a la placa de pared (B) usando un tornillo phillips de cabeza redonda de 1/4-20 x 1" (G), una arandela plana de 1/4" (J) y una contratuerca dentada bridada de 1/4-20 (H), como se muestra en la figura 2.1 o en la figura 2.2, si se trata de una esquina interior o como se muestra en la figura 2.3 o en la figura 2.4, si se trata de una esquina exterior. Haga lo mismo con la placa de interface opuesta.

**NOTA:** Asegúrese de que la pestaña superior de la placa de interface (A) descansa sobre la pestaña superior de la placa de pared (B).

**NOTA:** No apriete los sujetadores al máximo.

ESQUINA INTERIOR IZQUIERDA

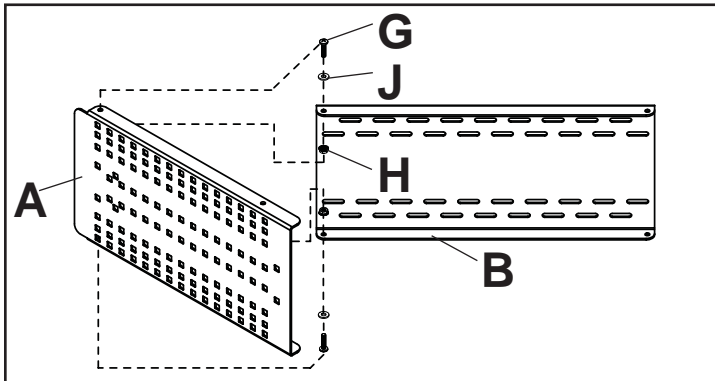


fig. 2.1

ESQUINA INTERIOR DERECHA

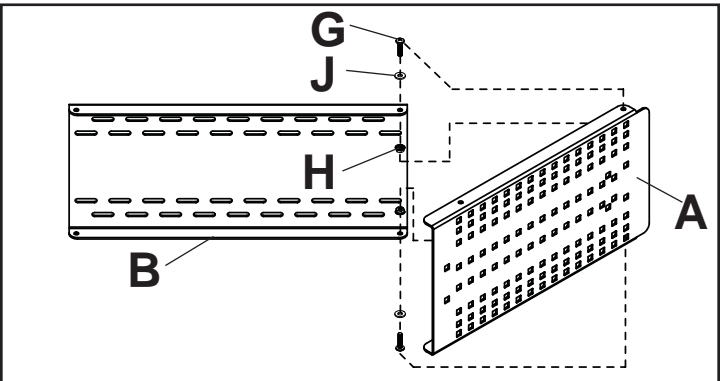


fig. 2.2

ESQUINA EXTERIOR IZQUIERDA

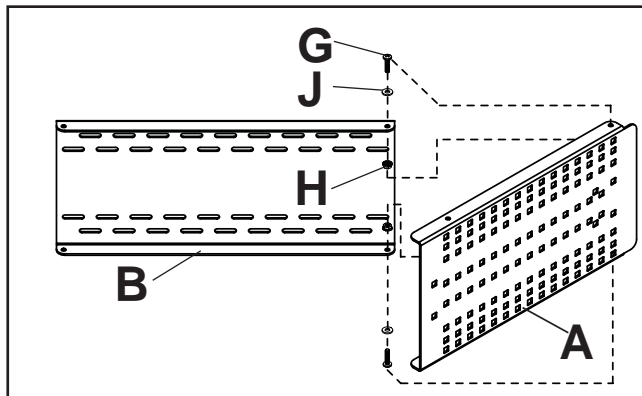


fig. 2.3

ESQUINA EXTERIOR DERECHA

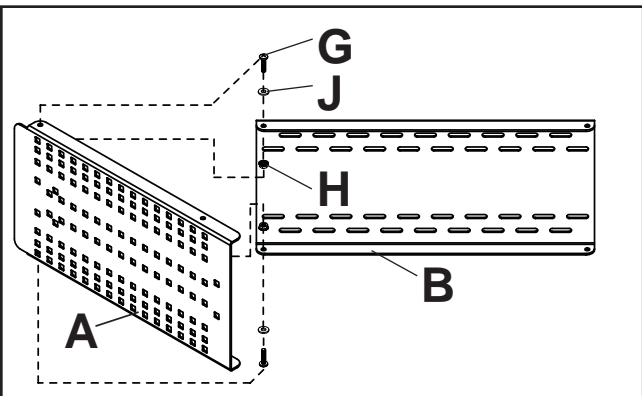


fig. 2.4

## Instalación de los Soportes Sostenedores y la Placa Central

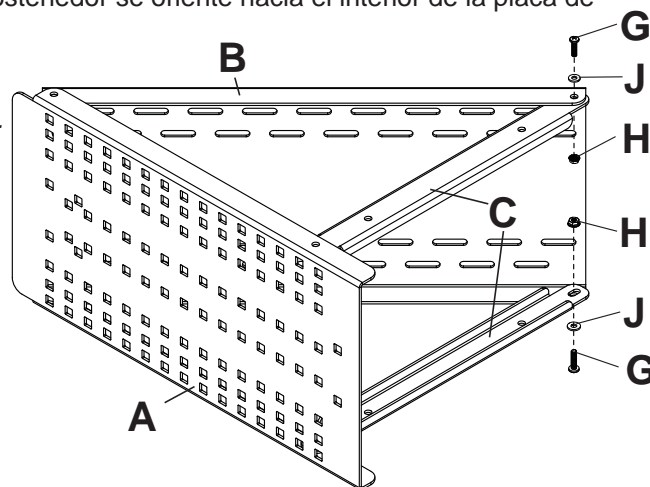
3-1

**NOTA:** Utilice la placa central (D) si la configuración de montaje de la placa de pared es más estrecha que la apertura entre las placas de interface (A). Fije los soportes sostenedores (C) a la parte trasera de la placa de pared (B) usando un tornillo phillips de cabeza redonda de 1/4-20 x 1" (G), una arandela plana de 1/4" (J) y una contratuerca dentada bridada de 1/4-20 (H) por cada soporte sostenedor, como se muestra abajo.

**NOTA:** Asegúrese de que la pestaña del soporte sostenedor se oriente hacia el interior de la placa de interface y de la placa de pared.

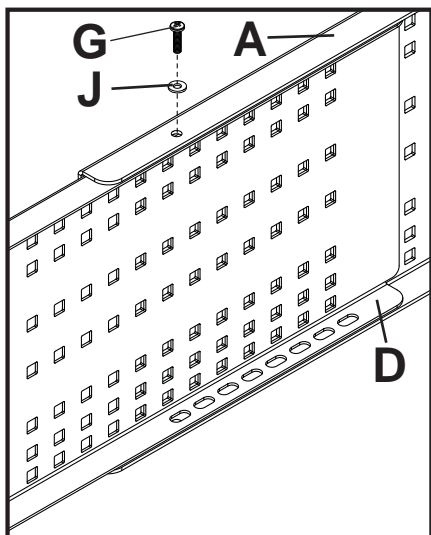
**NOTA:** No apriete los sujetadores al máximo.

*Pase al paso 3-3 si no va a instalar la placa central.*



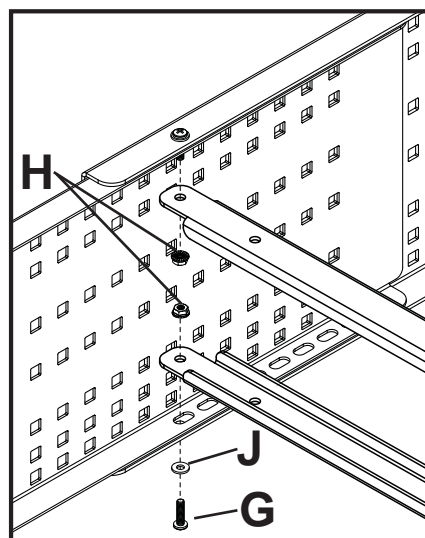
3-2

Mueva los soportes adaptadores (C) para alejarlos de la parte delantera de la unidad del soporte. Deslice la placa central (D) detrás de la placa de pared (A) y centralícela entre las dos placas de interface. Alinee el agujero superior y el agujero inferior de la placa de interface con las ranuras de la placa central. Enrosque, con la mano, un tornillo phillips de cabeza redonda de 1/4-20 x 1" (G) y una arandela plana de 1/4" (J) por el agujero superior solamente.



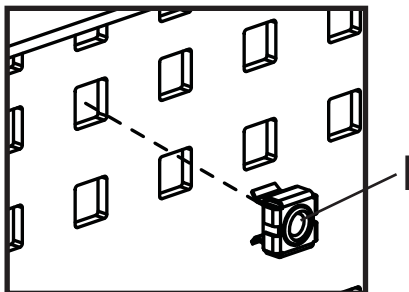
3-3

Mueva los soportes adaptadores (C) para acercarlos a la parte delantera de la unidad de soporte. Deslice el soporte adaptador superior por el tornillo superior y fíjelo usando una contratuerca dentada bridada de 1/4-20 (H). Alinee el agujero del soporte adaptador inferior con el agujero inferior y fije el soporte usando un tornillo phillips de cabeza redonda de 1/4-20 x 1" (G), una arandela plana de 1/4" (J) y una contratuerca dentada bridada de 1/4-20 (H).



- 4 Alinee la placa de pared del soporte de pared con las placas de interface (A) para señalar la ubicación de las tuercas en jaula (I), que se utilizan para fijar la placa de pared a las placas de interface. Instale las tuercas en jaula de la parte trasera de las placas de interface (A), como se muestra en el detalle 2.

**NOTA:** Instale la placa de pared y los componentes restantes de la unidad del soporte de pared según las instrucciones proporcionadas con el soporte de pared.



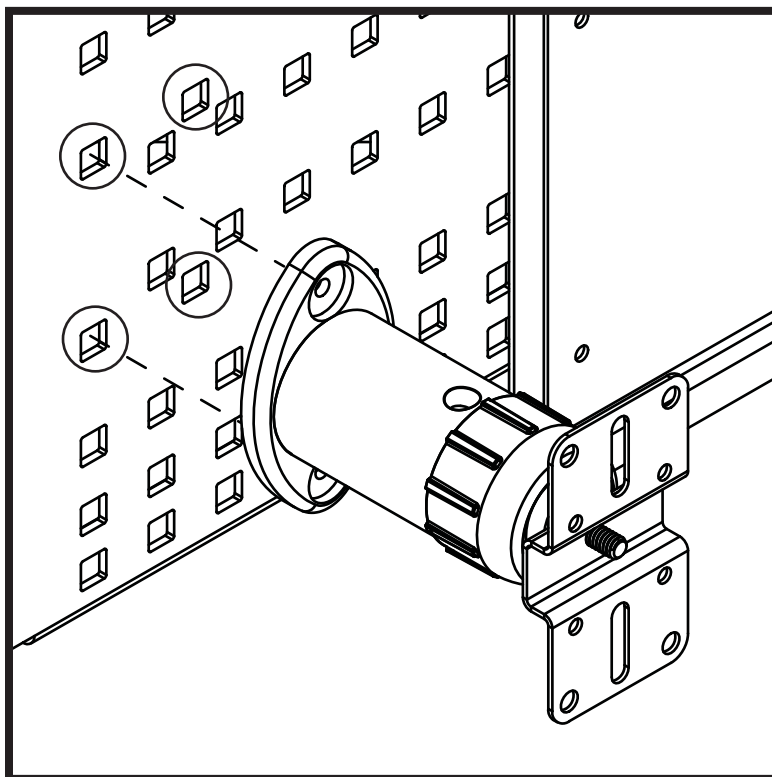
DETAIL 2

### Instalación de los soportes para altavoces (opcional)

- 5 **NOTA:** Es posible que se vea el soporte de esquina si la pantalla es pequeña.

**NOTA:** Los soportes para altavoces (vendidos por separado) pueden verse un poco distintos a la ilustración. Se necesita el juego ACC930 (vendido por separado) para fijar los soportes para altavoces al soporte de esquina.

Siguiendo la configuración de montaje que se muestra abajo, fije el soporte para altavoces a la placa de interface (A) usando dos tornillos y dos arandelas por la parte delantera y dos tuercas por la parte trasera. **NOTA:** No se incluyen los sujetadores para instalar los soportes para altavoces.

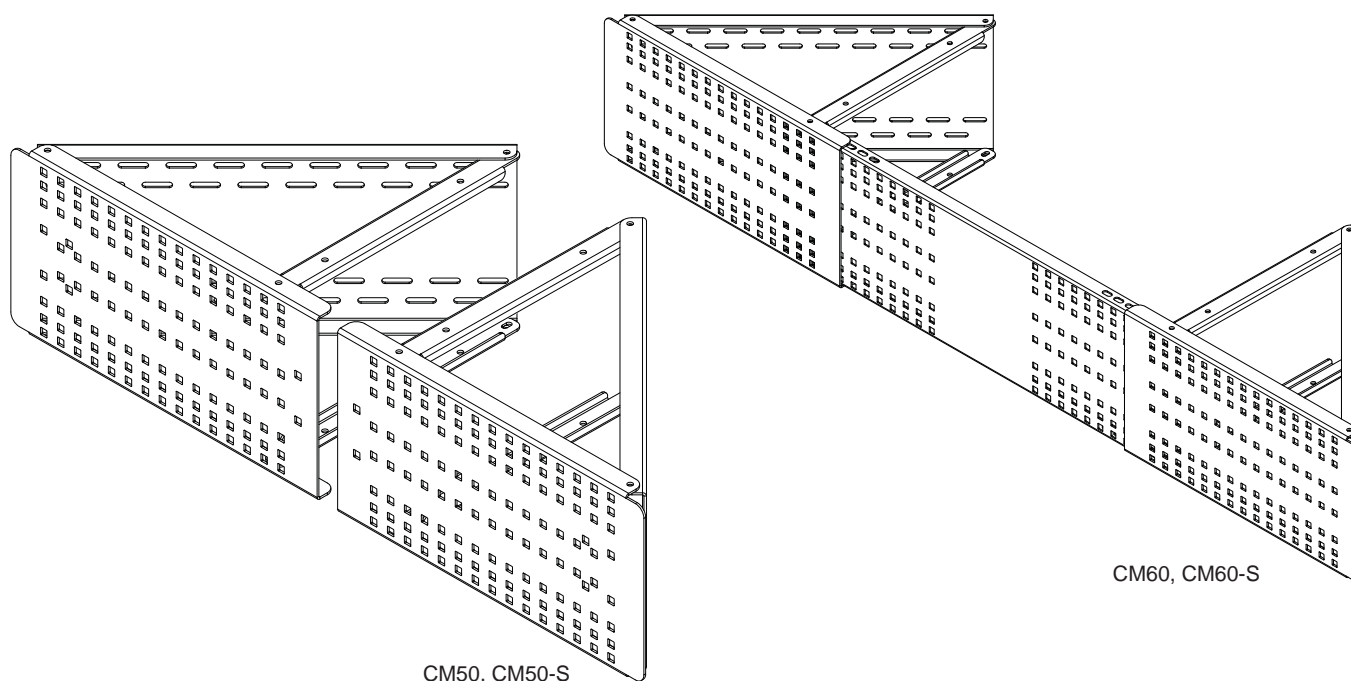


# peerless-AV™

## Installation et montage:

Accessoire de support d'encoignure pour écran plat, pour écrans ACL et plasma de 32 à to 60 po

Modèle	Plage de dimensions de l'écran	Capacité de charge maximale établie	Compatibilité
CM50, CM50-S	32"-50"	79.4 kg (175 lb)	SF640/ST640 PF640/PT640 SF650/ST650 PF650/PT650 ONE-TP (2-plaque)
CM60, CM60-S	40"-60"	90.8kg (200 lb)	SF640/ST640 PF640/PT640 SF650/ST650 PF650/PT650 SF660/ST660 PF660/PT660 ONE-TP (3-placa)



### **CARACTÉRISTIQUES**

- Permet d'installer l'écran dans un coin lorsque l'espace est limité
- CM50(-S) les unités murales sont extensibles pour convenir aux supports muraux plats inclinables compatibles pour écrans de 32 – 50 po
- CM60(-S) comprend une plaque de soutien supplémentaire pour convenir aux supports muraux plats/inclinables compatibles pour écrans de 40 – 60 po
- les unités murales peuvent loger des haut-parleurs lorsqu'elles sont utilisées avec de plus petits écrans (l'unité murale peut être visible avec certains écrans de petite taille)
- Étagère pour accessoires disponible pour les composants audio-vidéo (vendue séparément)
- S'installe sur des montants en bois, du béton ou du bloc de béton

## ⚠ AVERTISSEMENT

- Ne commencez pas à installer ce produit avant d'avoir lu et assimilé les instructions et les avertissements contenus dans cette fiche d'installation. Pour toute question concernant les instructions ou les avertissements, veuillez appeler le service à la clientèle au 1-800-865-2112.
- Ce produit doit être installé uniquement par quelqu'un possédant une bonne aptitude à la mécanique, une expérience de la construction immobilière et ayant bien compris ces instructions.
- Assurez-vous que la surface de support puisse soutenir sans danger la charge totale de l'équipement ainsi que des pièces et composants qui y sont attachés.
- Ne dépassez jamais la capacité de charge maximum établie. Reportez-vous à la page 21.
- Lors d'une installation sur un mur à montants en bois, assurez-vous que les vis de montage sont ancrées au centre des montants. L'utilisation d'un localisateur de montants « bord à bord » est fortement recommandée.
- Pour lever et positionner l'équipement en toute sécurité, faites-vous toujours aider par une autre personne ou utilisez un dispositif de levage mécanique.
- Serrez fermement les vis, mais sans excès. Un serrage excessif peut endommager les composants et en réduire considérablement la capacité de support.
- Ce produit est conçu uniquement pour un usage intérieur. L'utilisation de ce produit à l'extérieur peut causer une défaillance du produit et des blessures corporelles.
- Ce produit a été conçu pour une installation aux surfaces de support marquées d'une croix ci-dessous avec les pièces de fixation incluses tel qu'indiqué sur la fiche d'installation. Pour monter ce produit sur un autre type de surface de support, contactez le service à la clientèle au 1 800 865-2112.
- Ce produit a été conçu uniquement pour une installation sur les types de murs ci-dessous :

### TYPE DE MUR

### PIÈCES DE FIXATION REQUISES

- |                                   |                                      |
|-----------------------------------|--------------------------------------|
| • Montant en bois                 | Incluses                             |
| • Poutre en bois                  | Incluses                             |
| • Béton plein                     | Incluses                             |
| • Bloc de béton de mâchefer       | Incluses                             |
| • Brique                          | Contacteur un professionnel qualifié |
| • Autre, ou vous n'êtes pas sûr ? | Contacteur un professionnel qualifié |

## Outils nécessaires au montage

- localisateur de montants (un localisateur de montants « bord à bord » est recommandé)
- tournevis Phillips
- perceuse
- foret de 5/32 po pour les murs à montants en bois
- foret de 5/16 po pour les murs en béton et en bloc de béton
- niveau

## Accessorios

- ACC324(-S) – Étagère pour support d'encoignure
- ACC930 – Jeu de fixations pour supports de haut-parleurs

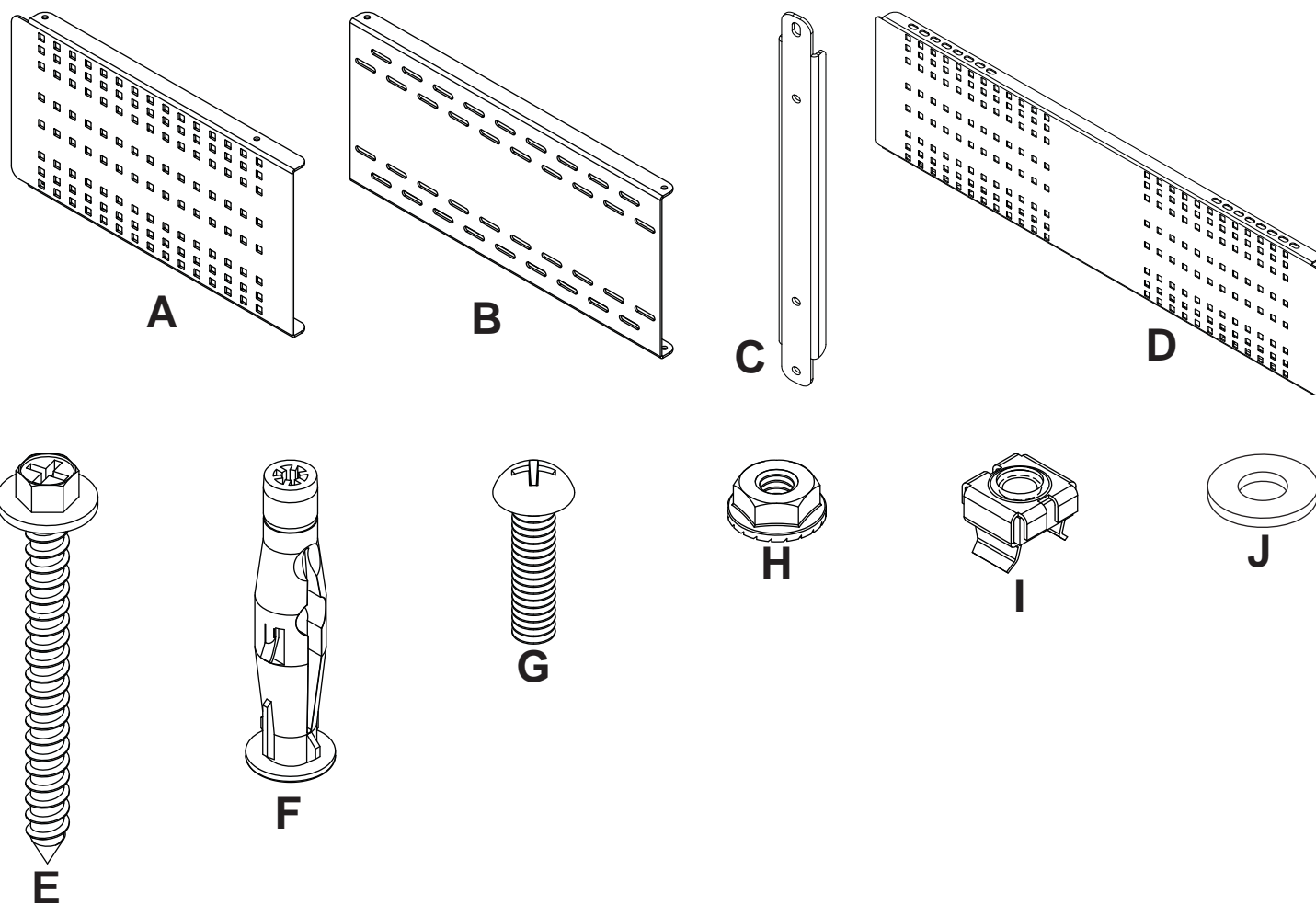
## Table des matières

Liste des pièces.....	23
Installation au coin intérieur de murs à montants en bois .....	24
Installation au coin extérieur de murs à montants en bois .....	25
Installation au coin intérieur de murs en béton.....	26
Installation au coin extérieur de murs en béton.....	27
Fixation de la plaque d'interconnexion et de la plaque centrale.....	28, 29
Installation des supports de haut-parleurs.....	30

Avant de commencer, assurez-vous que toutes les pièces indiquées sont incluses avec le produit.  
Il est possible que les pièces semblent légèrement différentes de l'illustration.

## Liste des pièces

Descripción	Qté	CM50	CM50-S	CM60	CM60-S
<b>A</b> plaque d'interconnexion	2	120-1075	120-4075	120-1075	120-4075
<b>B</b> plaque murale	2	120-1076	120-4076	120-1076	120-4076
<b>C</b> pattes de support	4	120-1077	120-4077	120-1077	120-4077
<b>D</b> Plaque centrale	1	n/a	n/a	120-1078	120-4078
<b>E</b> vis à bois n° 14 x 2,5 po	8	5S1-015-C03	5S1-015-C03	5S1-015-C03	5S1-015-C03
<b>F</b> ancrages pour béton	8	590-0320	590-0320	590-0320	590-0320
<b>G</b> vis phillips à tête ronde 1/4-20 x 1 po	24	510-9110	510-9110	510-9110	510-9110
<b>H</b> écrou de blocage à embase crantée 1/4-20	16	530-1021	530-1021	530-1021	530-1021
<b>I</b> écrou prisonnier Tinnerman® 1/4-20	12	530-2050	530-2050	530-2050	530-2050
<b>J</b> rondelle plate de 1/4 po	24	540-9440	540-9440	540-9440	540-9440



## Installation au coin intérieur de murs à montants en bois

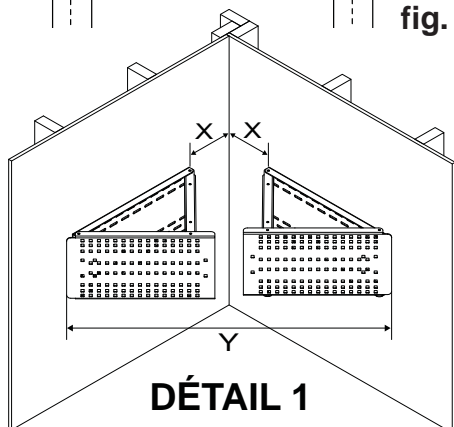
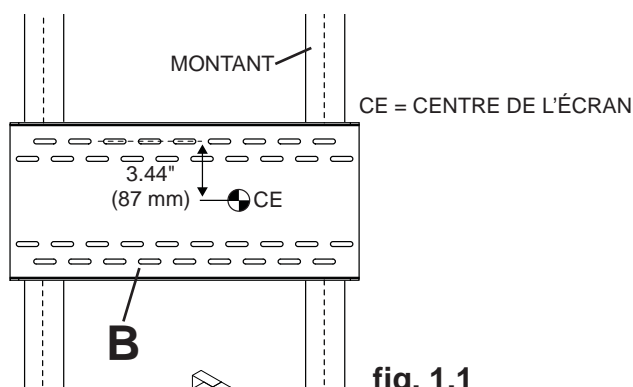
### ▲ AVERTISSEMENT

- L'installateur doit s'assurer que la surface de support pourra soutenir sans danger la charge combinée de l'équipement, de toute sa visserie et de tous ses composants.
- Serrez les vis à bois de manière que la plaque murale soit fermement fixée, mais sans excès. Un serrage excessif peut endommager les vis et en réduire considérablement le pouvoir de maintien.
- Ne serrez jamais à plus de 9 Nm (80 po-lb).
- Assurez-vous que les vis de montage sont ancrées au centre des montants. L'usage d'un localisateur de montants « bord à bord » est fortement conseillé.
- La visserie est fournie pour fixer la monture à travers une cloison sèche ou du plâtre d'épaisseur standard et dans des montants en bois. Il appartient aux installateurs de fournir la visserie nécessaire pour d'autres types de situations.

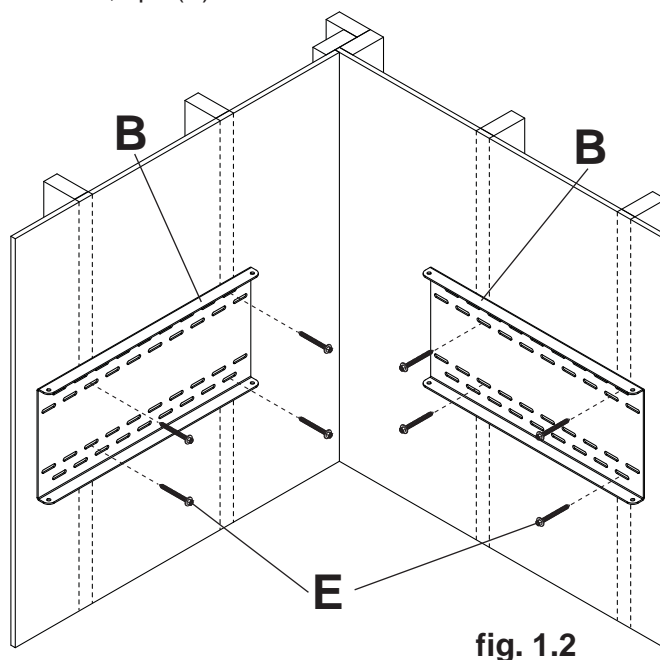
**1** Les plaques murales (**B**) peuvent être installées à un montant ou à deux montants espacés de 16 po. Repérez le bord des montants à l'aide d'un localisateur de montants. L'utilisation d'un localisateur de montants « bord à bord » est fortement recommandée. Après avoir repéré les bords, tracez une ligne verticale le long du centre des deux murs. **REMARQUE** : Selon la position des montants sur les coins du mur, il pourrait être impossible de procéder à une installation sur deux montants.

Déterminez la distance entre le coin du mur et le bord intérieur des plaques murales (**B**) à l'aide de l'équation ci-dessous et du dessin de détail 1 pour obtenir la distance « X ». **REMARQUE** : Si les supports de haut-parleurs sont installés sur les côtés du support d'encoignure, la taille de l'écran ne peut excéder 40 po. Voir page 30 pour l'installation du support de haut-parleurs.

Mesurez la distance « X » à partir du coin du mur et marquez l'emplacement du bord intérieur de la plaque murale. Les fentes de montage supérieures de la plaque murale doivent être situées à 3,44 po (87 mm) au-dessus de l'endroit souhaité pour le centre de l'écran comme illustré à la figure 1.1. Mettez la plaque murale à niveau, alignez-la sur l'emplacement que vous avez marqué pour le bord intérieur de la plaque murale, et marquez quatre fentes alignées sur le centre des montants. Répétez l'opération pour la plaque murale du mur opposé. Percez des trous de 5/32 po (4 mm) de dia. à une profondeur minimale de 2,5 po (64 mm). Veillez à ce que les plaques murales soient de niveau et fixez-les à l'aide de vis à bois #14 x 2,5 po (**E**).



$$"X" = \frac{Y}{1.414} - 21.216$$





## Installation au coin extérieur de murs à montants en bois

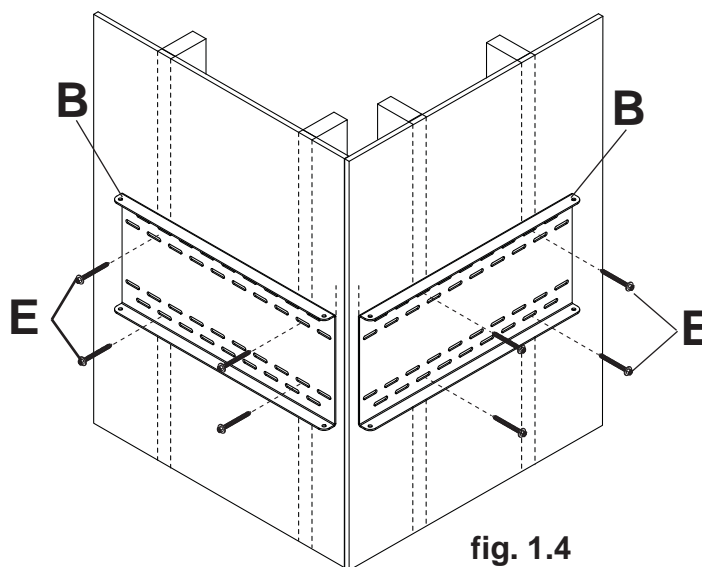
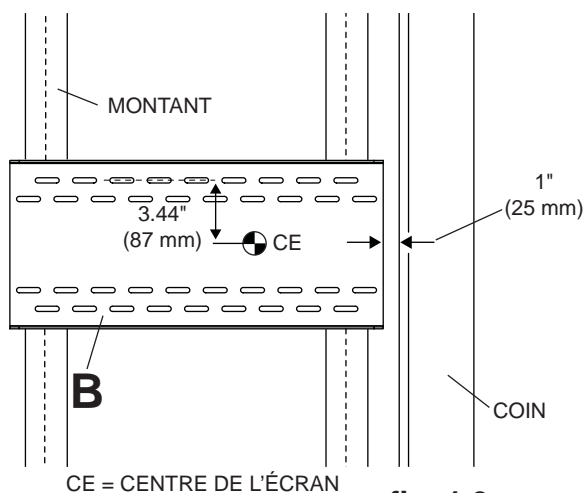
### ▲ AVERTISSEMENT

- L'installateur doit s'assurer que la surface de support pourra soutenir sans danger la charge combinée de l'équipement, de toute sa visserie et de tous ses composants.
- Serrez les vis à bois de manière que la plaque murale soit fermement fixée, mais sans excès. Un serrage excessif peut endommager les vis et en réduire considérablement le pouvoir de maintien.
- Ne serrez jamais à plus de 9 Nm (80 po-lb).
- Assurez-vous que les vis de montage sont ancrées au centre des montants. L'usage d'un localisateur de montants « bord à bord » est fortement conseillé.
- La visserie est fournie pour fixer la monture à travers une cloison sèche ou du plâtre d'épaisseur standard et dans des montants en bois. Il appartient aux installateurs de fournir la visserie nécessaire pour d'autres types de situations.

**1** Les plaques murales (**B**) peuvent être installées à un montant ou à deux montants espacés de 16 po. Repérez le bord des montants à l'aide d'un localisateur de montants. L'utilisation d'un localisateur de montants « bord à bord » est fortement recommandée. Après avoir repéré les bords, tracez une ligne verticale le long du centre des deux murs. **REMARQUE** : Selon la position des montants sur les coins du mur, il pourrait être impossible de procéder à une installation sur deux montants.

**REMARQUE** : Si les supports de haut-parleurs sont installés sur les côtés du support d'encoignure, la taille de l'écran ne peut excéder 40 po. Voir page 30 pour l'installation du support de haut-parleurs.

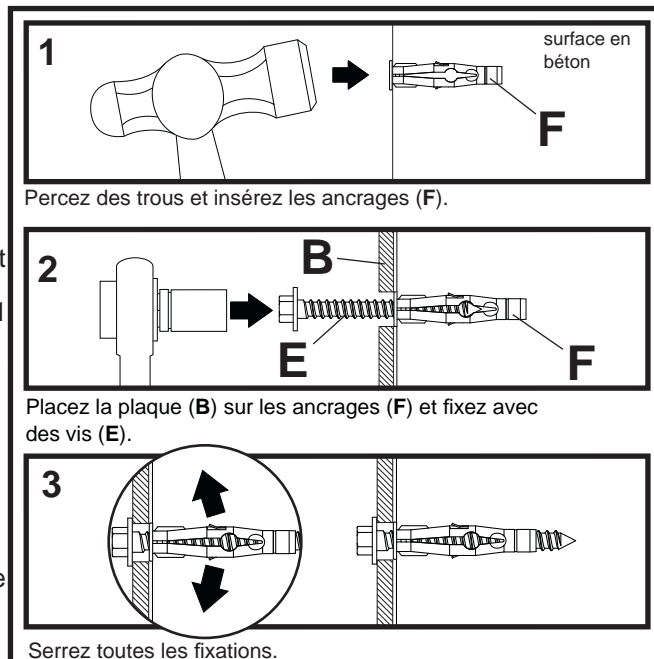
Mesurez 1 po (25 mm) à partir du coin du mur et marquez l'emplacement du bord intérieur de la plaque murale. Les fentes de montage supérieures de la plaque murale doivent être situées à 3,44 po (87 mm) au-dessus de l'endroit souhaité pour le centre de l'écran comme illustré à la figure 1,3. Mettez la plaque murale à niveau, alignez-la sur l'emplacement que vous avez marqué pour le bord intérieur de la plaque murale, et marquez quatre fentes alignées sur le centre des montants. Répétez l'opération pour la plaque murale du mur opposé. Percez des trous de 5/32 po (4 mm) de dia. à une profondeur minimale de 2,5 po (64 mm). Veillez à ce que les plaques murales soient de niveau et fixez-les à l'aide de vis à bois #14 x 2,5 po (**E**).



## ⚠ AVERTISSEMENT

- Si vous installez des montures murales Peerless sur un bloc de béton de mâchefer, vérifiez que vous disposez d'une épaisseur de béton d'au moins 0,34 cm (1 3/8 po) dans le trou destiné aux ancrages de béton. Ne percez pas dans les joints de mortier ! Veillez à effectuer le montage dans une partie pleine du bloc, généralement à au moins 2,5 cm (1 po) du côté du bloc. Le bloc de béton de mâchefer doit être conforme aux spécifications de l'ASTM C-90. Pour percer le trou, il est conseillé d'utiliser une perceuse électrique standard sur un réglage bas au lieu d'un marteau perforateur, afin d'éviter de briser la partie arrière du trou lorsque vous pénétrez un vide ou une cavité.
- Le béton doit avoir une densité minimale de 2000 psi. Un béton de densité moindre risquerait de ne pas retenir un ancrage de béton.
- Assurez-vous que la surface de support pourra soutenir sans danger la charge combinée de l'équipement, de toute sa visserie et de tous ses composants.

**1** Déterminez la distance entre le coin du mur et le bord intérieur de la plaque murale (**B**) à l'aide de l'équation et du dessin de détail 1 en page 24 pour obtenir la distance « X ». **REMARQUE** : Si les supports de haut-parleurs sont installés sur les côtés du support d'encoignure, la taille de l'écran ne peut excéder 40 po. Voir page 30 pour l'installation du support de haut-parleurs. Mesurez la distance « X » à partir du coin du mur et marquez l'emplacement du bord intérieur de la plaque murale. Les fentes de montage supérieures de la plaque murale doivent être situées à 3,44 po (87 mm) au-dessus de l'endroit souhaité pour le centre de l'écran comme illustré à la fig 1.1 en page 24. Mettez la plaque murale à niveau (**B**), alignez-la sur l'endroit que vous avez marqué pour le bord intérieur de la plaque murale et marquez quatre fentes alignées sur le centre des montants. Répétez l'opération pour la plaque murale du mur opposé. Percez des trous de 5/16 po (8 mm) de dia. à une profondeur minimale de 2,5 po (64 mm). Insérez les chevilles d'ancrage (**F**) dans les trous au ras du mur comme illustré (à droite). Posez la plaque murale sur les chevilles d'ancrage, veillez à ce que les plaques murales soient de niveau et fixez-les à l'aide de vis à bois #14 x 2,5 po (**E**).

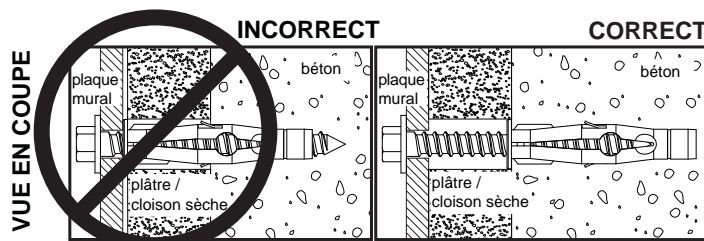
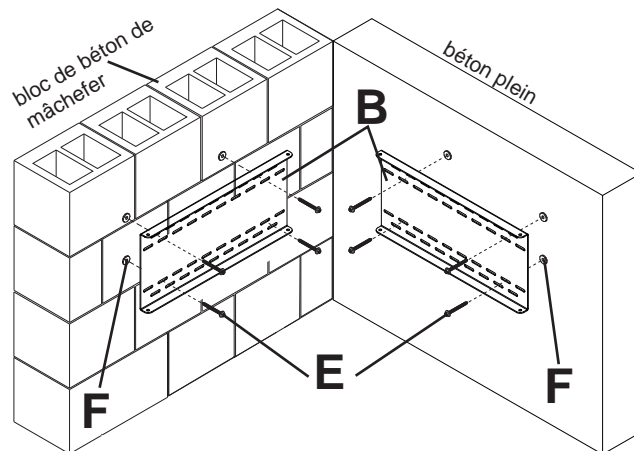


## ⚠ AVERTISSEMENT

- Serrez les vis de manière que la plaque murale soit fermement fixée, mais sans excès. Un serrage excessif peut endommager les vis et en réduire considérablement le pouvoir de maintien.
- Ne serrez jamais à plus de 9 Nm (80 po-lb).

## ⚠ AVERTISSEMENT

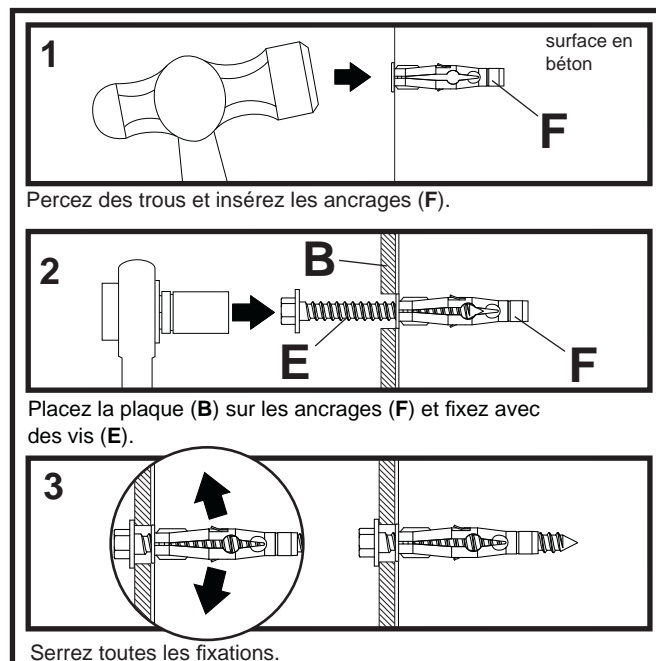
- Fixez toujours des ancrages de béton directement sur du béton porteur.
- Ne fixez jamais des chevilles d'ancrage pour béton à du béton recouvert d'une couche de plâtre, d'une cloison sèche ou de tout autre matériau de finition. Si vous devez absolument effectuer l'installation sur du béton recouvert d'une surface de finition, celle-ci doit être chambrée, comme indiqué à droite. Veillez à ce que les chevilles d'ancrage ne s'éloignent pas du béton lorsque vous serrez les vis. Si l'épaisseur du plâtre ou de la cloison sèche dépasse 5/8 po, l'installateur devra fournir des pièces de fixation sur mesure.



## ⚠ AVERTISSEMENT

- Si vous installez des montures murales Peerless sur un bloc de béton de mâchefer, vérifiez que vous disposez d'une épaisseur de béton d'au moins 0,34 cm (1 3/8 po) dans le trou destiné aux ancrages de béton. Ne percez pas dans les joints de mortier ! Veillez à effectuer le montage dans une partie pleine du bloc, généralement à au moins 2,5 cm (1 po) du côté du bloc. Le bloc de béton de mâchefer doit être conforme aux spécifications de l'ASTM C-90. Pour percer le trou, il est conseillé d'utiliser une perceuse électrique standard sur un réglage bas au lieu d'un marteau perforateur, afin d'éviter de briser la partie arrière du trou lorsque vous pénétrez un vide ou une cavité.
- Le béton doit avoir une densité minimale de 2000 psi. Un béton de densité moindre risquerait de ne pas retenir un ancrage de béton.
- Assurez-vous que la surface de support pourra soutenir sans danger la charge combinée de l'équipement, de toute sa visserie et de tous ses composants.

**1 REMARQUE :** Si les supports de haut-parleurs sont installés sur les côtés du support d'encoignure, la taille de l'écran ne peut excéder 40 po. Voir page 30 pour l'installation du support de haut-parleurs. Mesurez 1 po (25 mm) à partir du coin du mur et marquez l'emplacement du bord intérieur de la plaque murale. Les fentes de montage supérieures de la plaque murale doivent être situées à 3,44 po (87 mm) au-dessus de l'endroit souhaité pour le centre de l'écran comme illustré à la fig. 1.3 en page 25. Mettez la plaque murale à niveau (B), alignez-la sur l'endroit que vous avez marqué pour le bord intérieur de la plaque murale et marquez quatre fentes alignées sur le centre des montants. Répétez l'opération pour la plaque murale du mur opposé. Percez des trous de 5/16 po (8 mm) de dia. à une profondeur minimale de 2,5 po (64 mm). Insérez les chevilles d'ancrage (F) dans les trous au ras du mur comme illustré (à droite). Posez la plaque murale sur les chevilles d'ancrage, en veillant à ce que les plaques murales soient de niveau, et fixez-les à l'aide de vis à bois #14 x 2,5 po (E).

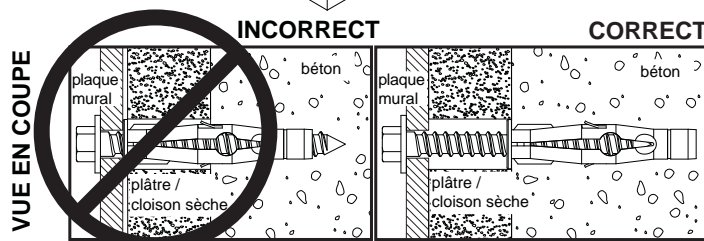
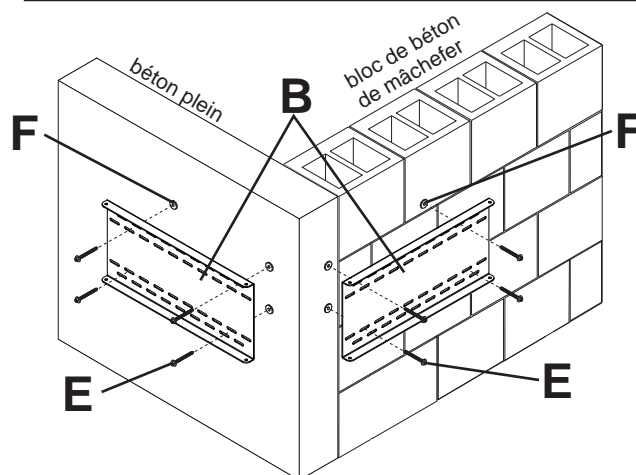


## ⚠ AVERTISSEMENT

- Serrez les vis de manière que la plaque murale soit fermement fixée, mais sans excès. Un serrage excessif peut endommager les vis et en réduire considérablement le pouvoir de maintien.
- Ne serrez jamais à plus de 9 Nm (80 po-lb).

## ⚠ AVERTISSEMENT

- Fixez toujours des ancrages de béton directement sur du béton porteur.
- Ne fixez jamais des chevilles d'ancrage pour béton à du béton recouvert d'une couche de plâtre, d'une cloison sèche ou de tout autre matériau de finition. Si vous devez absolument effectuer l'installation sur du béton recouvert d'une surface de finition, celle-ci doit être chambrée, comme indiqué à droite. Veillez à ce que les chevilles d'ancrage ne s'éloignent pas du béton lorsque vous serrez les vis. Si l'épaisseur du plâtre ou de la cloison sèche dépasse 5/8 po, l'installateur devra fournir des pièces de fixation sur mesure.



## Fixation de la plaque d'interconnexion

- 2 Fixez la plaque d'interconnexion (A) à la plaque murale (B) à l'aide d'une vis Phillips à tête ronde 1/4-20 x 1 po (G), d'une rondelle plate 1/4 po (J) et d'un écrou de blocage à embase crantée 1/4-20 (H) comme illustré à la fig 2.1 ou 2.2 pour les coins intérieurs ou aux fig 2.3 et 2.4 pour les coins extérieurs. Répétez l'opération pour la plaque d'interconnexion du mur opposé.

**REMARQUE** : Assurez-vous que la bride supérieure de la plaque d'interconnexion (A) repose sur la bride supérieure de la plaque murale (B).

**REMARQUE** : Ne pas serrer complètement les fixations.

COIN GAUCHE INTÉRIEUR

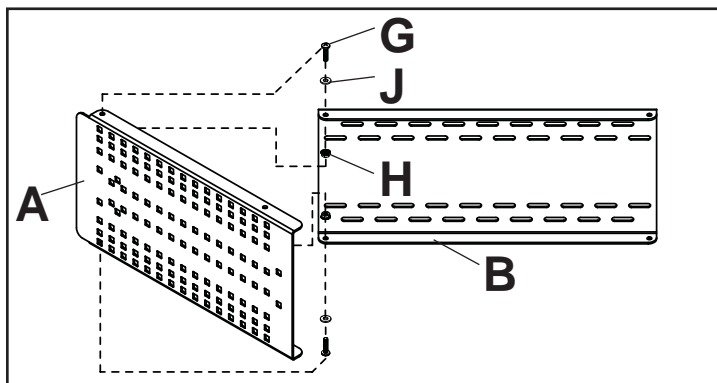


fig. 2.1

COIN DROIT INTÉRIEUR

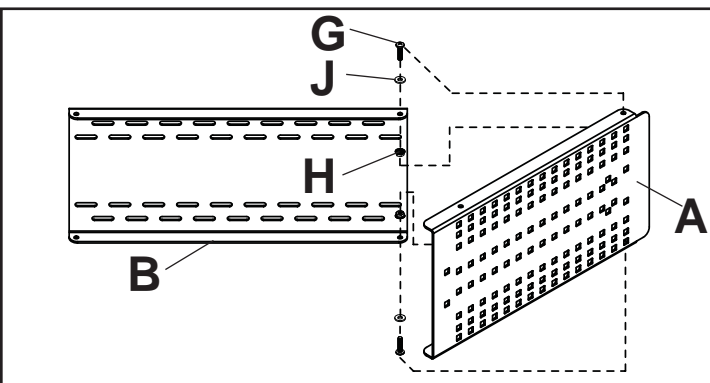


fig. 2.2

COIN GAUCHE EXTÉRIEUR

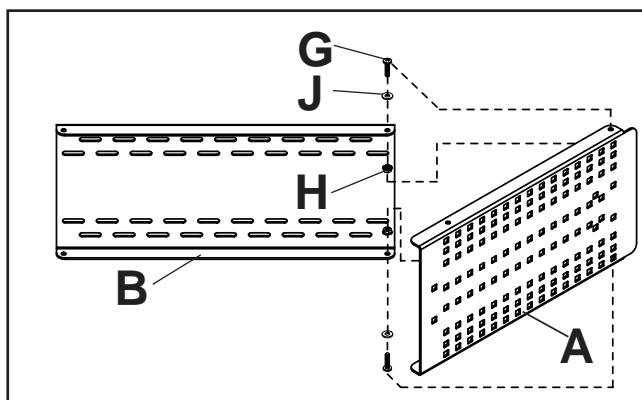


fig. 2.3

COIN DROIT EXTÉRIEUR

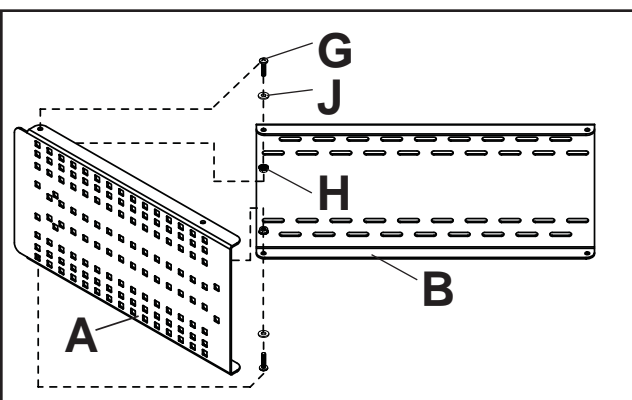


fig. 2.4

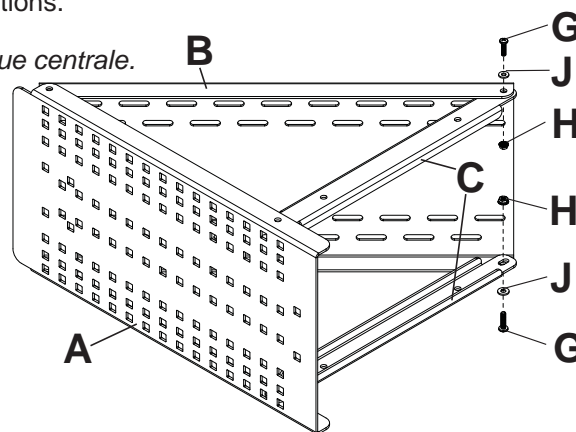
## Installation des pattes de support et de la Plaque Centrale

**3-1** **REMARQUE :** Utilisez la plaque centrale (D) lorsque la configuration de montage de la plaque murale est plus étroite que l'ouverture entre les plaques d'interconnexion (A). Fixez les pattes de support (C) à l'arrière de la plaque murale (B) à l'aide de vis Phillips à tête ronde 1/4-20 x 1 po (G), d'une rondelle plate 1/4 po (J) et d'un écrou de blocage à embase crantée 1/4-20 (H) pour chaque patte de support comme illustré ci-dessous.

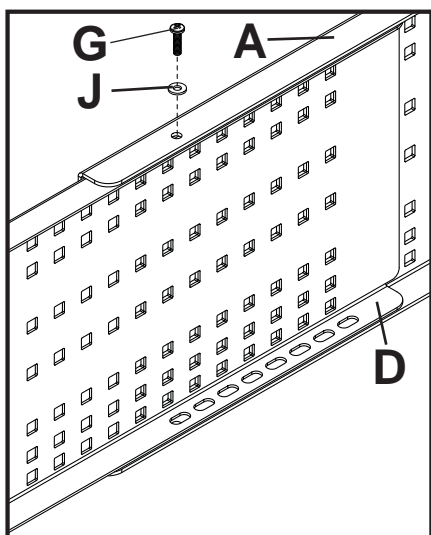
**REMARQUE :** Veillez à ce que la bride de la patte de support soit orientée vers l'intérieur de la plaque d'interconnexion et de la plaque murale.

**REMARQUE :** Ne pas serrer complètement les fixations.

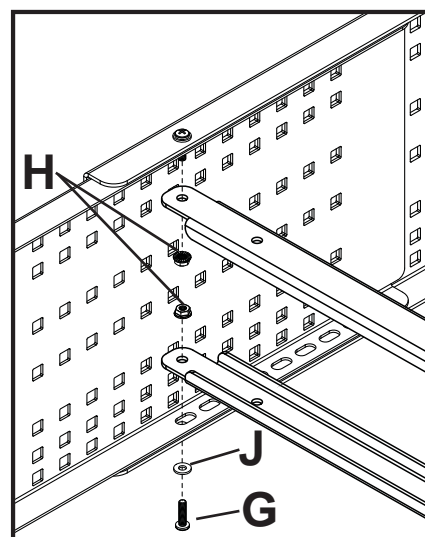
*Passez à l'étape 3-3 si vous n'installez pas de plaque centrale.*



**3-2** Faites pivoter les supports adaptateurs (C) hors de l'avant du support. Faites glisser la plaque centrale (D) derrière la plaque d'interconnexion (A) et centrez-la entre les deux plaques d'interconnexion. Alignez les trous supérieurs et inférieurs de la plaque d'interconnexion sur les fentes de la plaque centrale. Vissez manuellement la vis Phillips à tête ronde 1/4-20 x 1 po (G) et la rondelle plate 1/4 po (J) dans le trou supérieur uniquement.

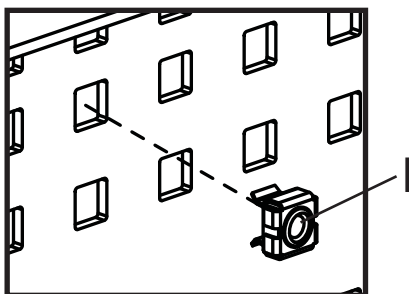


**3-3** Faites pivoter les supports adaptateurs (C) vers l'avant du support. Guidez le support adaptateur supérieur dans la vis supérieure et fixez-le à l'aide d'un écrou à embase crantée 1/4-20 (H). Alignez le trou du support adaptateur inférieur sur le trou inférieur et fixez-le à l'aide d'une vis Phillips à tête ronde 1/4-20 x 1 po (G), d'une rondelle plate 1/4 po (J) et d'un écrou de blocage à embase crantée 1/4-20 (H).



- 4 Alignez la plaque murale sur les plaques d'interconnexion (A) pour déterminer l'emplacement des écrous prisonniers (I) servant à fixer la plaque murale aux plaques d'interconnexion. Installez les écrous prisonniers à l'arrière des plaques d'interconnexion (A) comme illustré dans le dessin de détail 2.

**REMARQUE :** Installez la plaque murale et le reste du support mural selon les instructions fournies avec le support mural.



DETAIL 2

### Installation des supports de haut-parleurs (facultatif)

- 5 **REMARQUE :** Le support d'encoignure peut être visible avec des écrans de petite taille.  
**REMARQUE :** Le support de haut-parleurs (vendu séparément) peut différer de l'illustration. ACC930 (vendu séparément) est nécessaire à l'installation du support de haut-parleurs au support d'encoignure. À l'aide de la configuration de trous ci-dessous, fixez le support de haut-parleurs à la plaque d'interconnexion (A) à l'aide de deux vis et de deux rondelles à l'avant et de deux écrous à l'arrière. **REMARQUE :** Les fixations nécessaires à l'installation du support de haut-parleurs ne sont pas comprises

