

SP850(P)  
SP850-UNL(P)



Display size  
**32"-80"**



Max load  
**150lb (68kg)**

**SMARTMOUNT.**

# Pull-out Pivot Wall Mount

FOR 32" TO 80" DISPLAYS

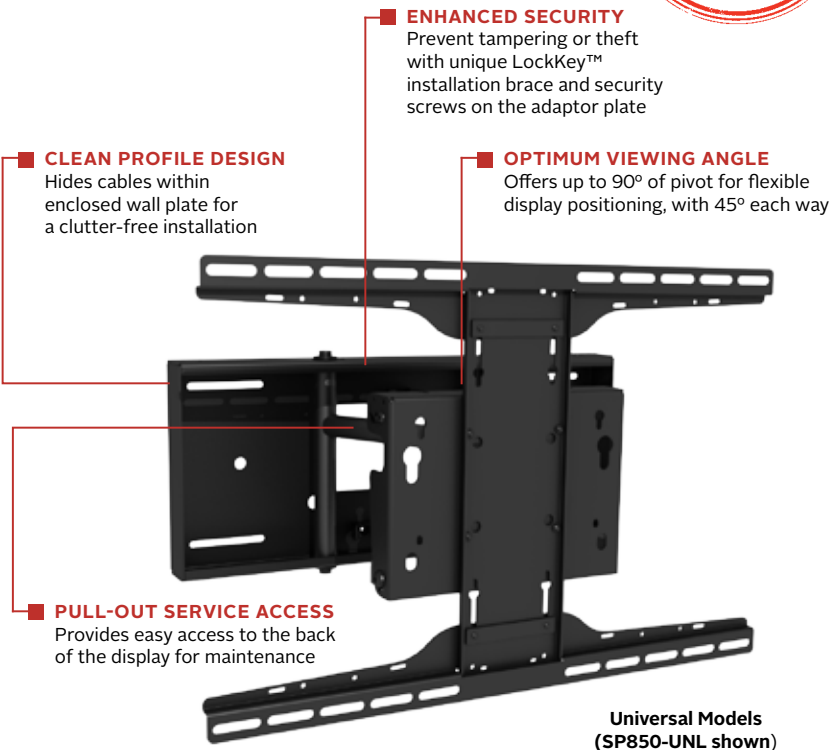
The SP850 Pull-Out Pivot Mount combines the best features of a wall mount and pivot arm. When closed, the SP850 acts as a flat or tilting wall mount. At only 2.73" (69mm) from the wall, its unique wall plate and built-in cable management neatly hide all components and cords. Extended, the SP850's sturdy arm construction smoothly glides the display out 11.18" (284mm) from the wall and allows the display to pivot up to 45°. The SP850 is ideal in applications where the display needs to be recessed into the wall, custom framed, or aligned into a multi-display wall.



*The SP850 provides optimum viewing capabilities, offering 90° of pivot for flexible display positioning.*

## Additional Features

- ✓ Built in pivot up to 90° (45° in each direction) allows for adjustable viewing angles
- ✓ Easy pull-out pivot provides quick maintenance access
- ✓ Dedicated models include VESA® 100 and 200 x 100mm compliant adaptor plate (PLP or LC model adaptor plate required for non-VESA displays)
- ✓ Universal models adapt to displays with mounting holes up to 600 x 400 (23.62" W x 15.75" H)
- ✓ IncreLok™ tilt provides tilt at 0°, 5° and 10°
- ✓ ±1° of roll for horizontal display leveling during installation
- ✓ LockKey™ installation tool secures arms for display installation
- ✓ Lock-out screw prevents unwanted extension
- ✓ Mounts to 16" wood studs, concrete and cinder block
- ✓ The I-shaped adaptor plate's innovative design helps avoid blocking connections on the back of display

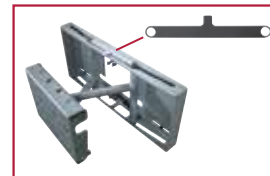


SP850: **os hpd**  
OPA-2702-10

Patented. Utility Patent No. 7,866,621; 7,823,850; 8,517,322.



Dedicated Models (SP850 shown)



LockKey™ Installation tool secures pivot arms in place



Perfect for in-wall or recessed applications

<b>SP850</b>	SmartMount® Pull-out Pivot Wall Mount for 32" to 80" Displays (VESA® 100 and 200x100mm security models)
<b>SP850P</b>	SmartMount® Pull-out Pivot Wall Mount for 32" to 80" Displays (VESA® 100 and 200x100mm standard models)
<b>SP850-UNL</b>	SmartMount® Pull-out Pivot Wall Mount for 32" to 80" Displays (Universal security models)
<b>SP850-UNLP</b>	SmartMount® Pull-out Pivot Wall Mount for 32" to 80" Displays (Universal standard models)

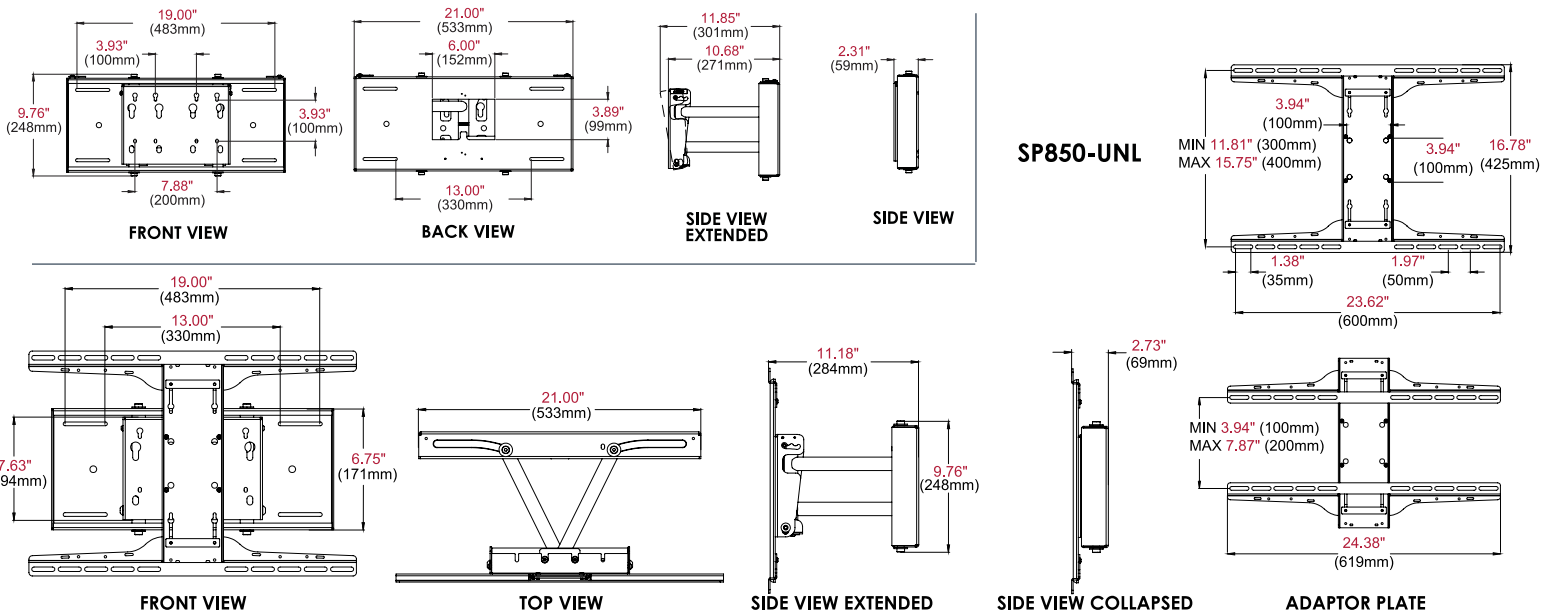
**Product Specifications**

	DIMENSIONS (W x H x D)	PRODUCT WEIGHT	LOAD CAPACITY	FINISH	AVAILABLE COLORS
<b>SP850(P)</b>	21.00" x 9.76" x 2.31"-10.68" (533 x 248 x 59-271mm)	17.6lb (7.98kg)	150lb (68kg)	TGIC Powder Coat	Black
<b>SP850-UNL(P)</b>	24.38" x 16.78" x 2.73"-11.18" (619 x 428 x 69-284mm)	30.4lb (13.8kg)			

**Package Specifications**

	PACKAGE SIZE (W x H x D)	PACKAGE SHIP WEIGHT	PACKAGE UPC CODE	PACKAGE CONTENTS	UNITS IN PACKAGE
<b>SP850(P)</b>	12.00" x 2.75" x 33.00" (304.8x69.85x838.2mm)	22.7lb (10.24kg)	SP850: 735029240297 SP850P: 735029240372	Wall Mount assembly, LockKey™ installation tool, locking tab, cable management sleeve, fastener pack including VESA® 100 x 100, 200 x 100mm display attachment, universal adaptor plate (select models)	1
<b>SP850-UNL(P)</b>	12.00" x 4.69" x 32.00" (304.8 x 119.13 x 838.2mm)	33.9lb (15.4kg)	SP850-UNL: 735029246398 SP850-UNLP: 735029247319		

All dimensions = inch (mm)



**Architect Specifications**

The Smartmount® Pull-out Pivot Wall Mount shall be a Peerless-AV model SP850(P), SP850-UNL(P) and shall be located where indicated on the plans. Assembly and installation shall be done according to instructions provided by the manufacturer.

Visit [peerless-av.com](http://peerless-av.com) to see the complete line of AV solutions from Peerless-AV, including outdoor displays, wireless, kiosks, digital audio, display mounts, projector mounts, carts/stands, and a full assortment of accessories.

**Peerless-AV**  
2300 White Oak Circle  
Aurora, IL 60502 USA  
**(800) 865-2112**  
**(630) 375-5100**  
**Fax: (800) 359-6500**

**Peerless-AV Europe**  
Unit 3 Watford Interchange  
Colonial Way, Watford  
Herts, WD24 4WP  
United Kingdom  
**+44 (0) 1923 200100**  
**Fax: +44 (0) 1923 200101**

**Peerless-AV de México**  
Ave de las Industrias 413  
Parque Industrial Escobedo  
Escobedo, N.L.,  
Mexico 66050  
**+52 (81) 8384-8300**  
**Fax: +52 (81) 8384-8360**

