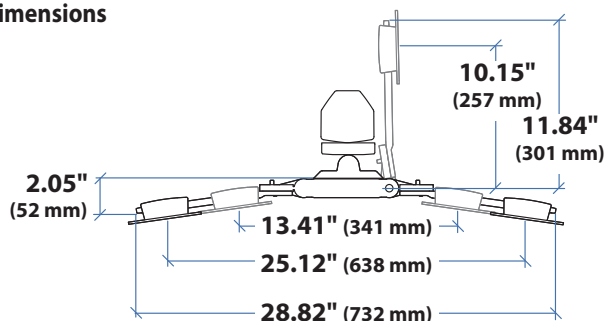
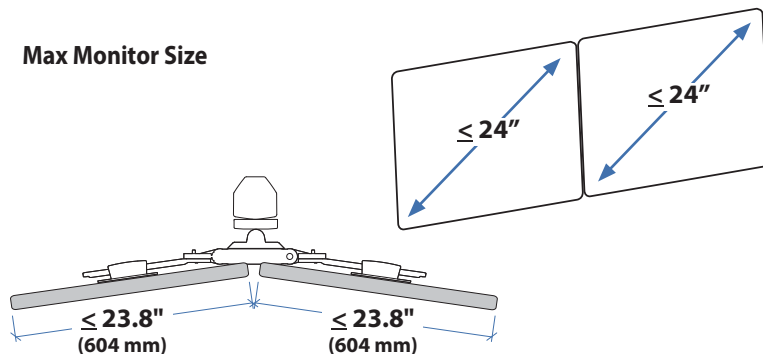


StyleView® Dual Monitor Mount Kit

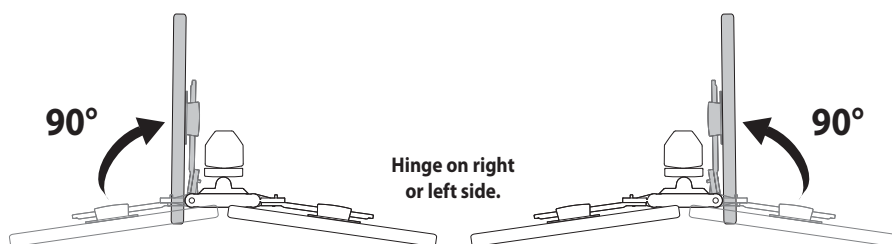
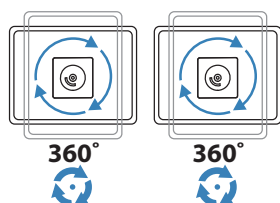
Dimensions



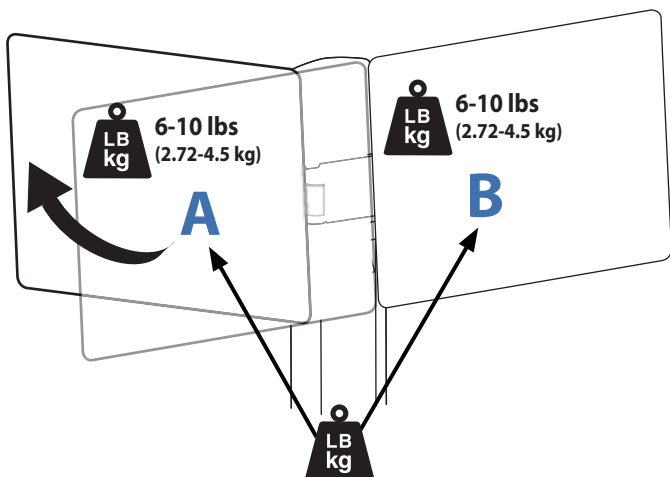
Max Monitor Size



Range of Motion



Weight Capacity



$$A+B = 12-20 \text{ lbs (5.4-9.1 kg)*}$$

*Total Weight Capacity when mounted to the SV32 Carts with LiFe Power System is:

$$A+B = 12-18 \text{ lbs (5.4-8.2 kg)}$$

SV31/SV32 Carts:

If the combined LCD and CPU weight is greater than 23 lbs (10.4 kg) then the CPU must be mounted to the rear of the cart using the Universal CPU Holder accessory (ordered separately).

SV41/SV42 Carts:

If the combined LCD and CPU weight is greater than 27 lbs (12.2 kg) then the CPU must be mounted to the rear of the cart using the Universal CPU Holder accessory (ordered separately).

SV42 Carts with LiFe Power System:

StyleView Dual Monitor Mount Kit is not recommended for use with the SV42 Carts with LiFe Power System