

RISE & S2

2-Leg Assembly Instructions



Need Help?

Visit our Help Center: <http://help.ise-group.com/rise>

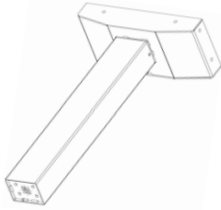
UPDATED
FEBRUARY 2015



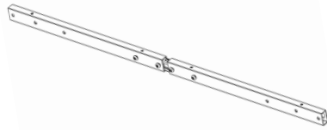
Part List: **caution** - only use the parts and hardware provided

[xx] | SM - Silver
BK - Black
WH - White

RISE-LEG-3S - xx (RISE)
RISE-LEG-2S - xx (S2)
Height Adjustable Leg
2 pcs.



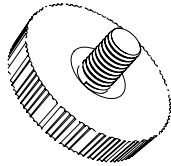
RISE - ADJ-SML - xx- 29"- 45" or
RISE - ADJ - MED - xx - 44" - 75" or
RISE - ADJ - LRG - xx - 76" - 90"
RISE - FXD - 24 - xx
Adjustable Bar
1 pc.
(2pcs. for LRG Bases)



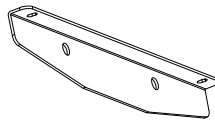
RISE - KSBAR - xx
Kneesaver Z-Bar
2 pcs. for MED Bases



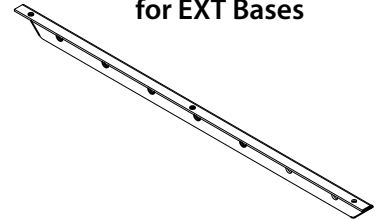
RISE - Glide
(attached to feet)
4 pcs.



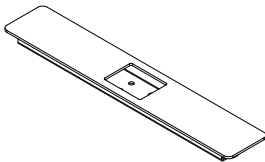
RISE - SIDESUP-16-xx
Side Support
2 pcs.
for SML Bases



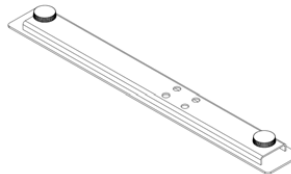
RISE - SIDE - SUP - 28 - xx
Side Support
1 pcs.
for EXT Bases



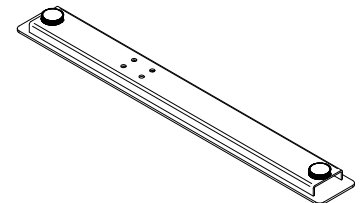
RISE - FOOT - 19 - xx
19" Foot
1 pcs.
for EXT Bases



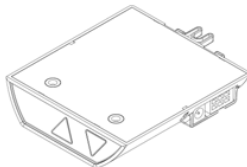
RISE - FOOT - 24 - xx
23" Foot
2 pcs.



RISE - FOOT - 29 - xx
29" Foot
1 pcs.
for EXT Bases



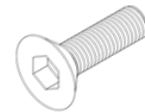
RISE - CB - STD (RISE)
RISE - CB - 2 STAGE (RS2)
**Standard (2 leg)
Up/Down Switch**
1 pcs.



Fix-Kit- 1
**M8 x 16mm
Buttonhead Bolt**
8 pcs.



Fix-Kit- 2
**M8 x 25mm
Countersunk Bolt**
8 pcs.



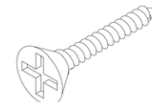
Fix-Kit- 3
**3/16" x 2-1/8"
Countersunk Wood Screw**
8 pcs.



Fix-Kit- 4
**3/16" x 3/4"
Panhead Wood Screw**
6 pcs.



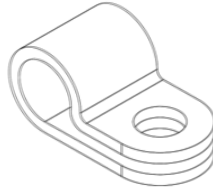
Fix-Kit- 5
**1/8" x 5/8"
Countersunk Wood Screw**
2 pcs.



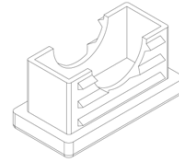
RISE - RP - xx
Plastic Round Cap
12 pcs.



RISE - WC
Plastic Wire Clip
6 pcs.



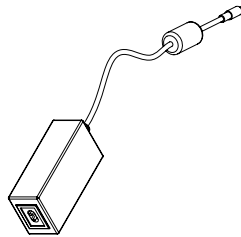
RISE - SP - xx
Plastic Rectangular End-Cap
4 pcs.



Leg Motor Cable
(attached to motors)
2 pcs.



RISE - CB - STD - PS
Power Adaptor
1 pc.



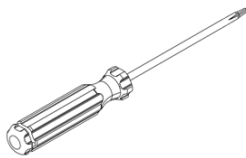
RISE - CB - STD - PC
Power Cable
1 pc.



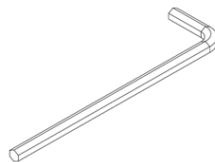
Note: The hardware bag may contain extra components.

Tools Required:

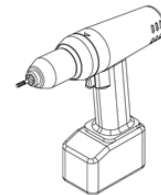
Phillips Screwdriver



M5 Hexagonal Wrench



**Electric Drill with
Phillips Head Bit**

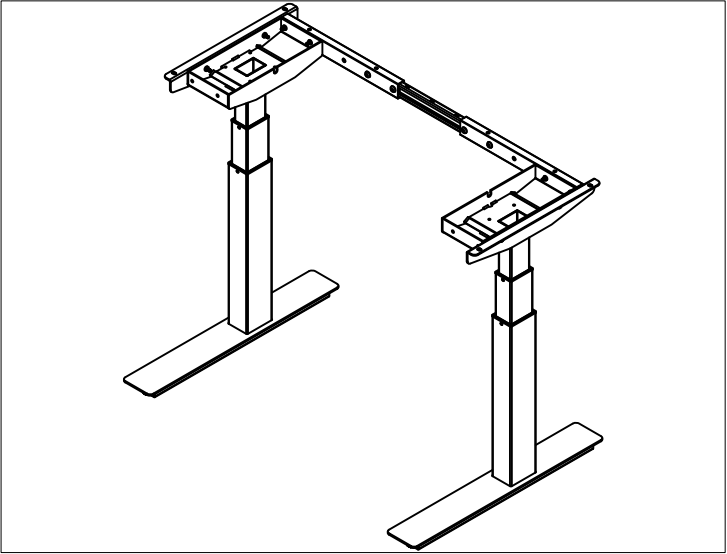


Tape Measure

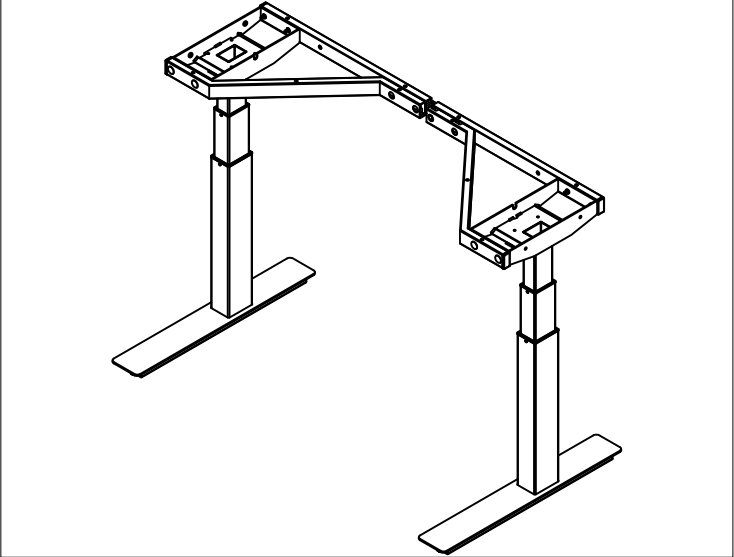


Completed Base Examples

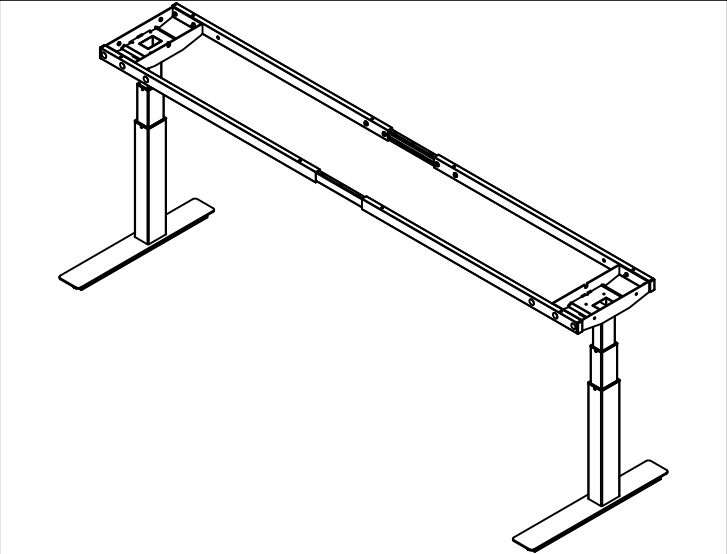
SML Base



MED Base



LRG Base



Assembly Instructions: **caution** - please read notes carefully

1. Attach Feet to Height Adjustable Legs

Position the 2 Height Adjustable Legs making sure the wire cutouts on the Motor Housings are facing each other.

Using an M5 Hexagonal Wrench attach the Feet to the Height Adjustable Legs with 8 M8x16mm Buttonhead Bolts. Make sure the longer sides of the Feet are facing the front as shown in Figure 1.

Note: Both Height Adjustable Legs are identical.

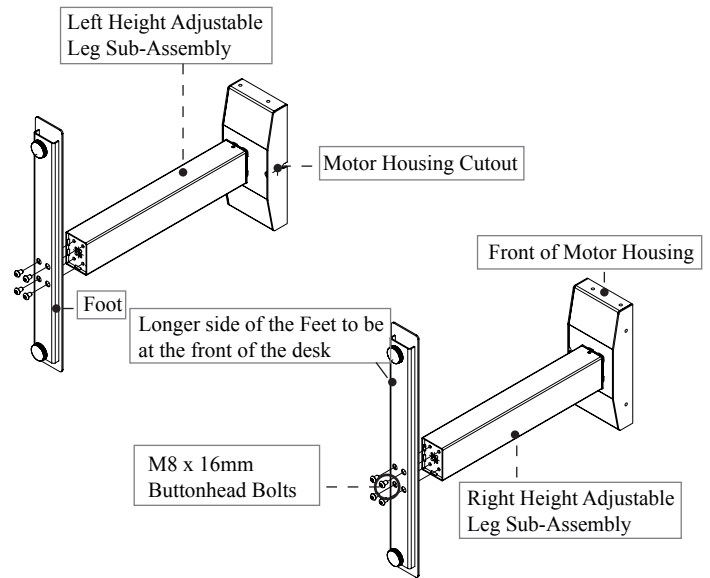


Figure 1. Attach Feet to Height Adjustable Legs

2. Adjust Adjustable Bar Width

Using an M5 Hexagonal Wrench, loosen the 4 Center Bolts.

Expand or retract the Adjustable Bar to the desired width while making sure the top holes of the Outer Square Tube align with the holes of the Inner Channel.

Use the Center Hole of the Inner Channel as guide for symmetry.

After achieving the desired width, tighten the 4 Center Bolts to secure the Adjustable Bar subassembly. See Figure 2.

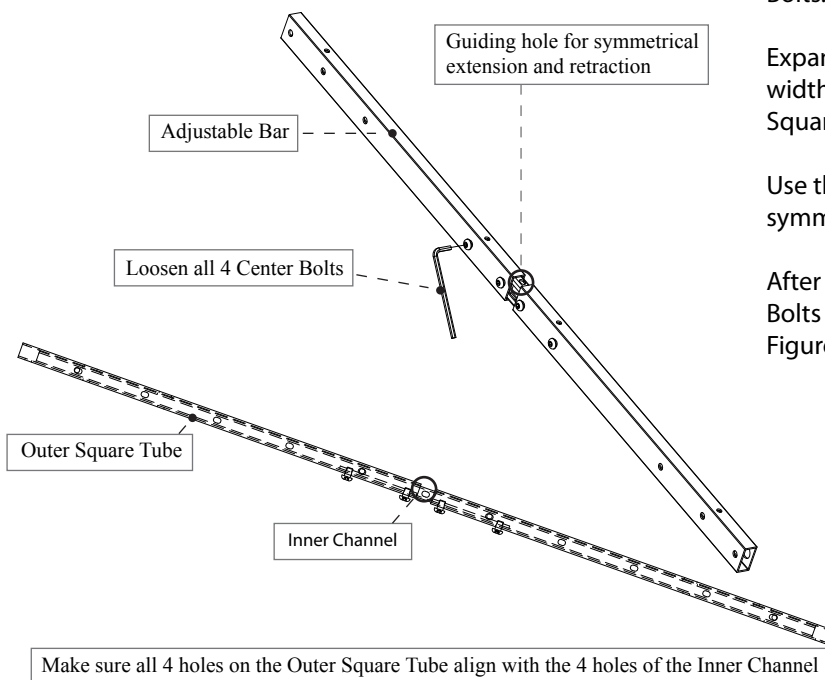


Figure 2. Adjust Adjustable Bar Width

3. Attach Adjustable Bar to Motor Housings

Facing the rear of the Height Adjustable Leg Assemblies, use an M5 Hexagonal Wrench to fasten the Adjustable Bar with the 4 M8x25mm Countersunk bolts onto the rear of the Motor Housings.

Make sure to use the 2 outer holes on each end of the Adjustable Bar.

The 4 Center Bolts of the Adjustable Bar should be facing forward towards the Motor Housings.

After fastening the Adjustable Bar, install the 2 Rectangular Plastic End-Caps on each end of the Adjustable Bar. See Figure 3.

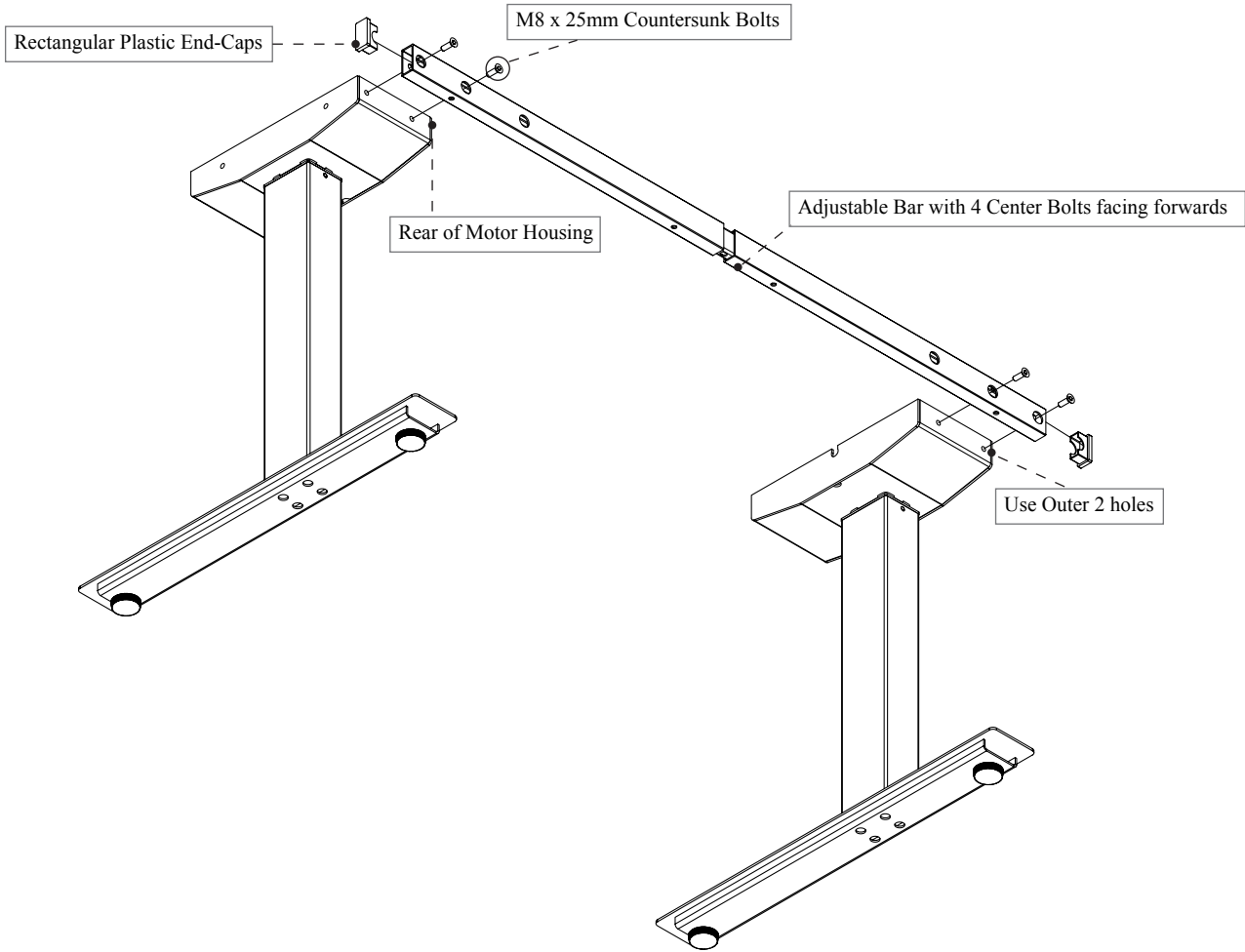


Figure 3. Attach Adjustable Bar to Motor Housings

4a. For SML Bases: Attach Side Supports

Install the two Side Supports with the 4 M8x25mm Countersunk Bolts onto the outside of the Left and Right Motor Housings.

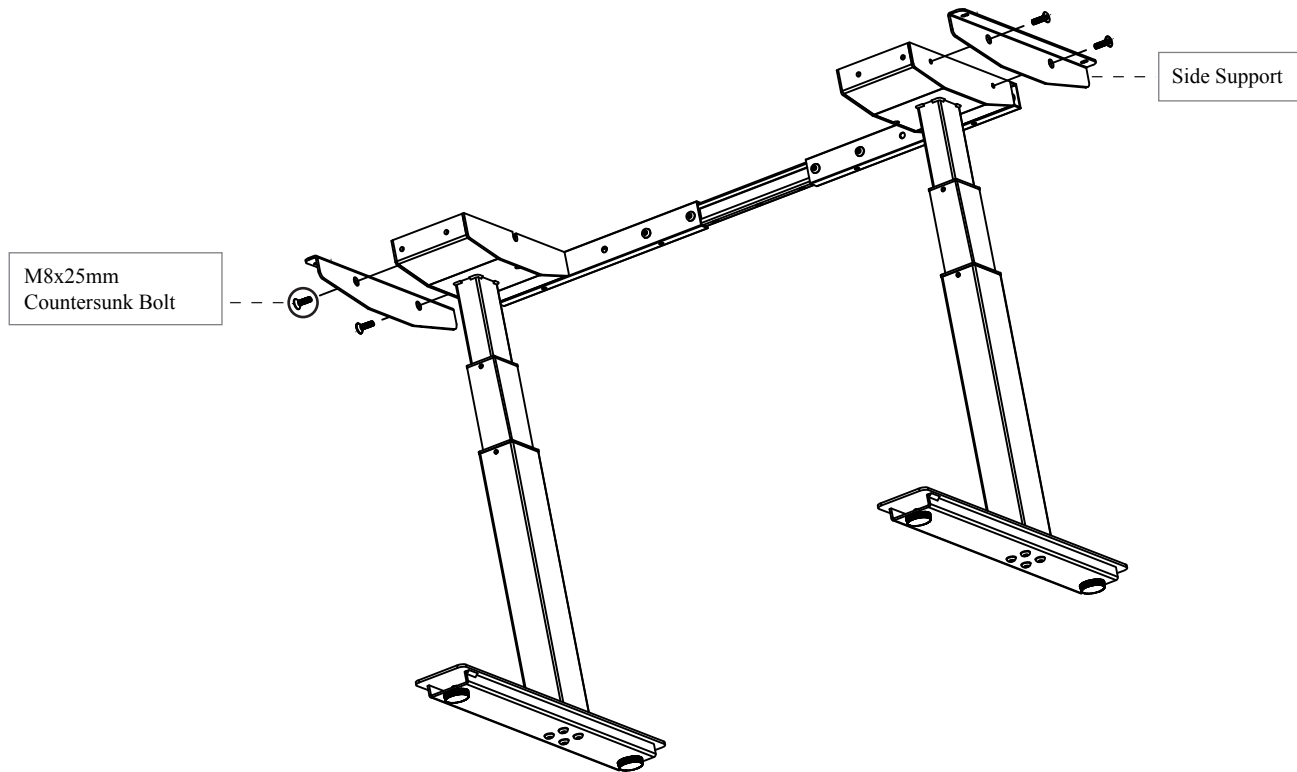


Figure 4. Install Side Supports

4b. For MED Bases: Attach the Kneesaver Z-Bars

Position the Sub-Assembly upright and face the front. The Adjustable Bar should be in the rear.

Loosen the 4 Adjusting Bolts in the middle of the Adjustable Bar while making sure to not change the width alignment performed earlier.

Locate the slotted end of each Kneesaver Z-Bar and slide it between the Adjustable Bar and the back of the Adjusting bolts. Tighten the bolts to secure the Kneesaver Z-Bars to the Adjustable Bar. Note: Both Kneesaver Z-Bars are identical. See Figure 5.

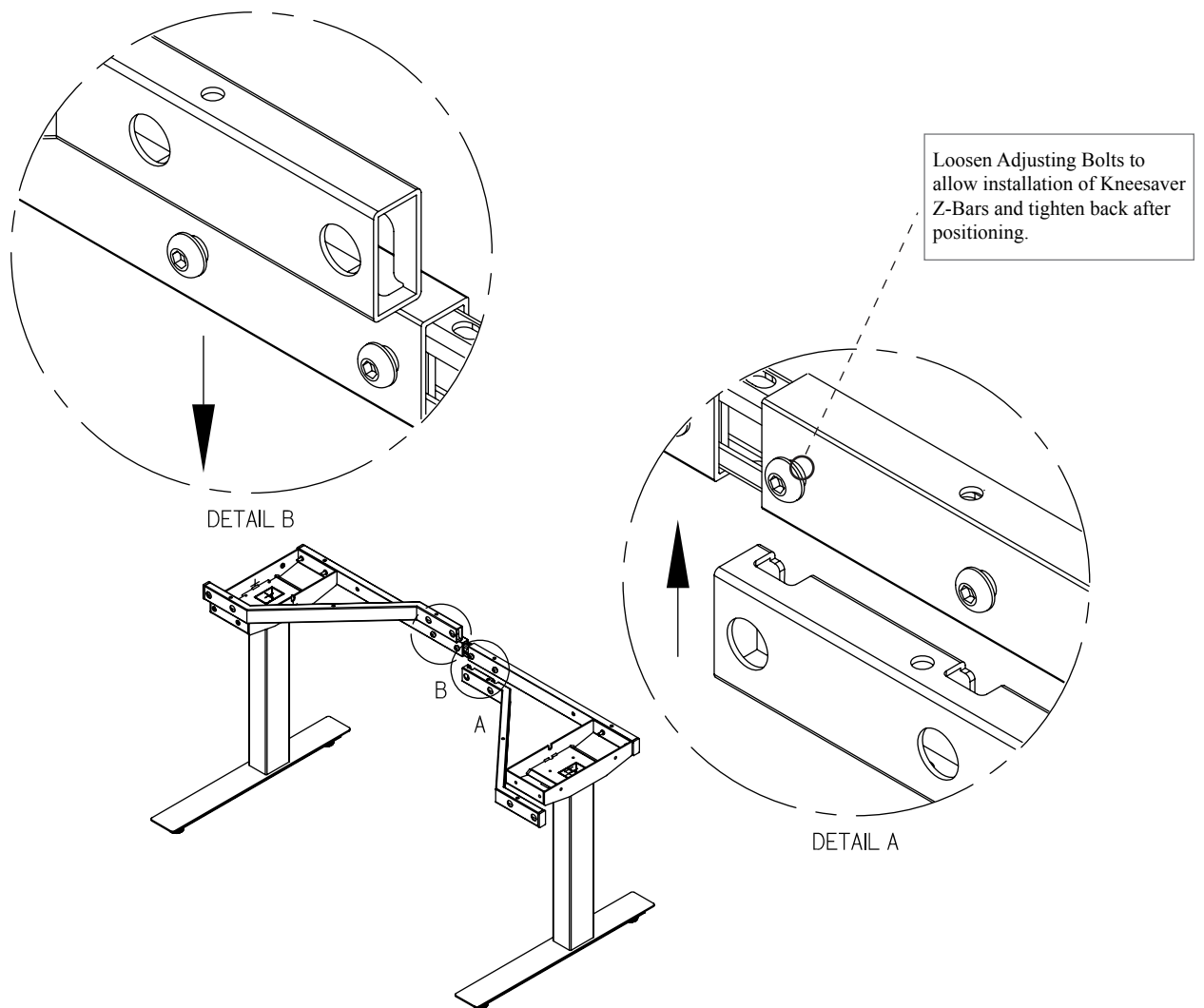


Figure 5. Attach Kneesaver Z-Bars to Adjustable Bar

After the Kneesaver Z-Bars have been fastened to the Adjustable Bar, fasten the other ends of the Kneesaver Z-Bars to the front of the Motor Housings using the 4 M8x25mm Countersunk bolts.

Install the 2 Rectangular Plastic End-Caps. See Figure 6.

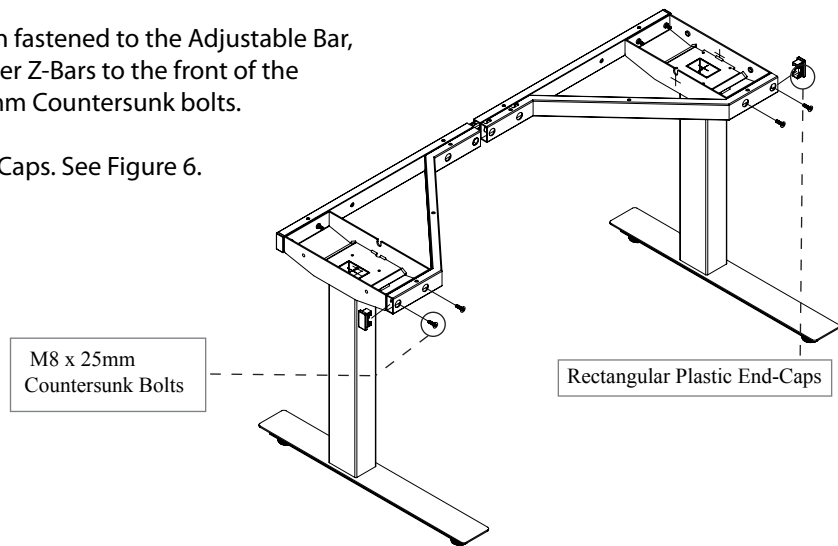


Figure 6. Attach Kneesaver Z-Bars to front of Motor Housings

Install the 8 Plastic Round Caps on the front of the Kneesaver Z-Bars. See Figure 7.

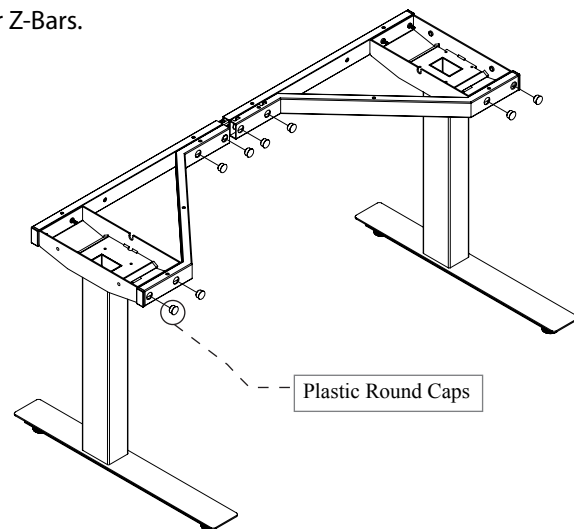


Figure 7. Attach Plastic Round Caps to front of Kneesaver Z-Bars

Install 4 Plastic Round Caps on the back of the Adjustable Bar. See Figure 8.

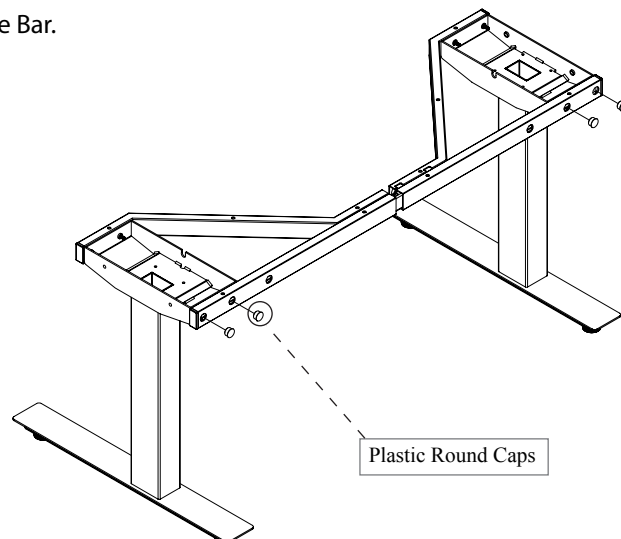


Figure 8. Attach Plastic Round Caps to back of Adjustable Bar

4c. For LRG Bases: Install Front Adjustable Crossbar

Facing the front of the Height Adjustable Leg Assemblies, use an M5 Hexagonal Wrench to fasten the Adjustable Bar with the 4 M8x25mm Countersunk bolts onto the front of the Motor Housings.

Make sure to use the 2 outer holes on each end of the Adjustable Bar.

The 4 Center Bolts of the Adjustable Bar should be facing forward towards the Motor Housings.

After fastening the Adjustable Bar, install the 2 Rectangular Plastic End-Caps on each end of the Adjustable Bar. See Figure 9.

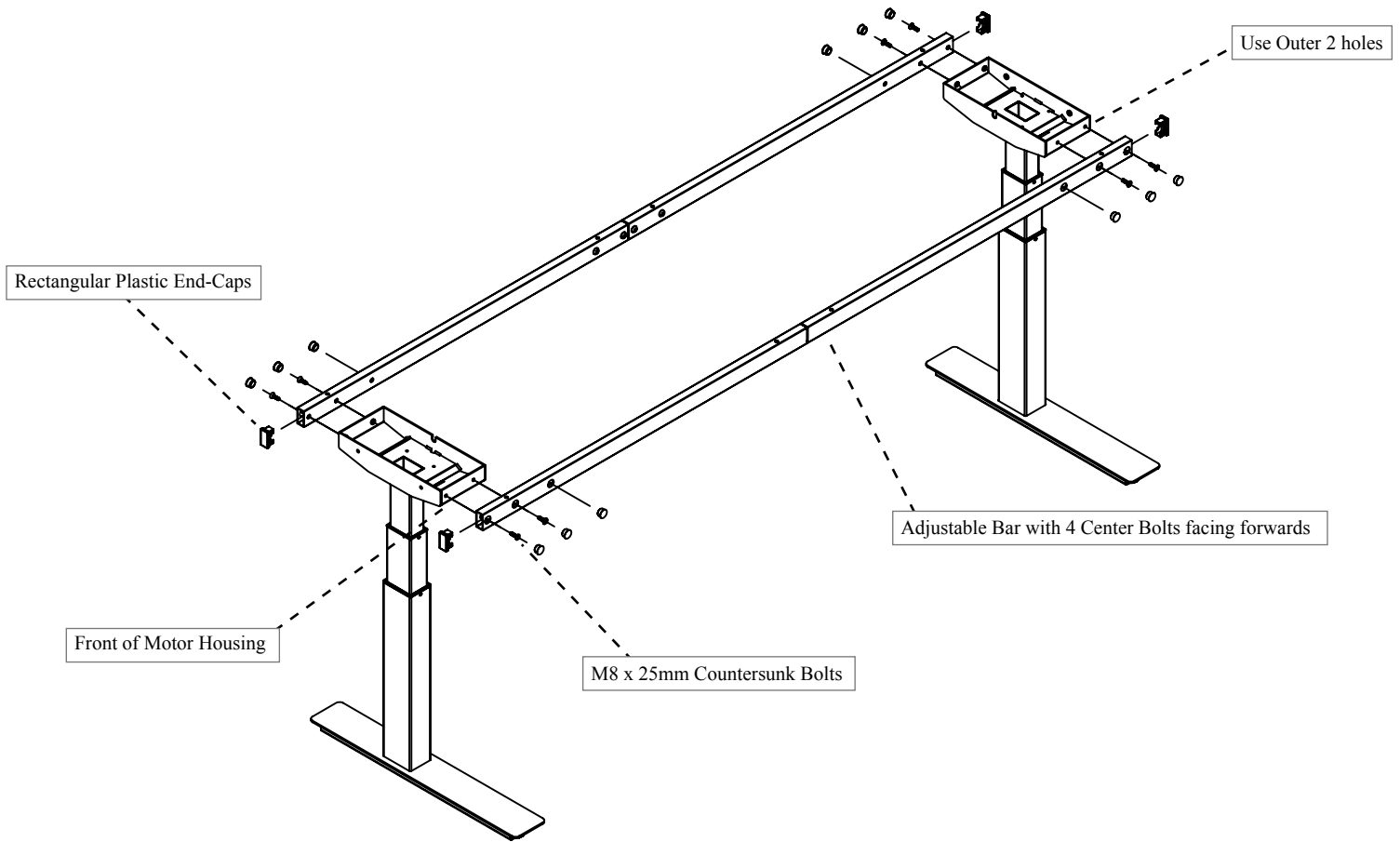
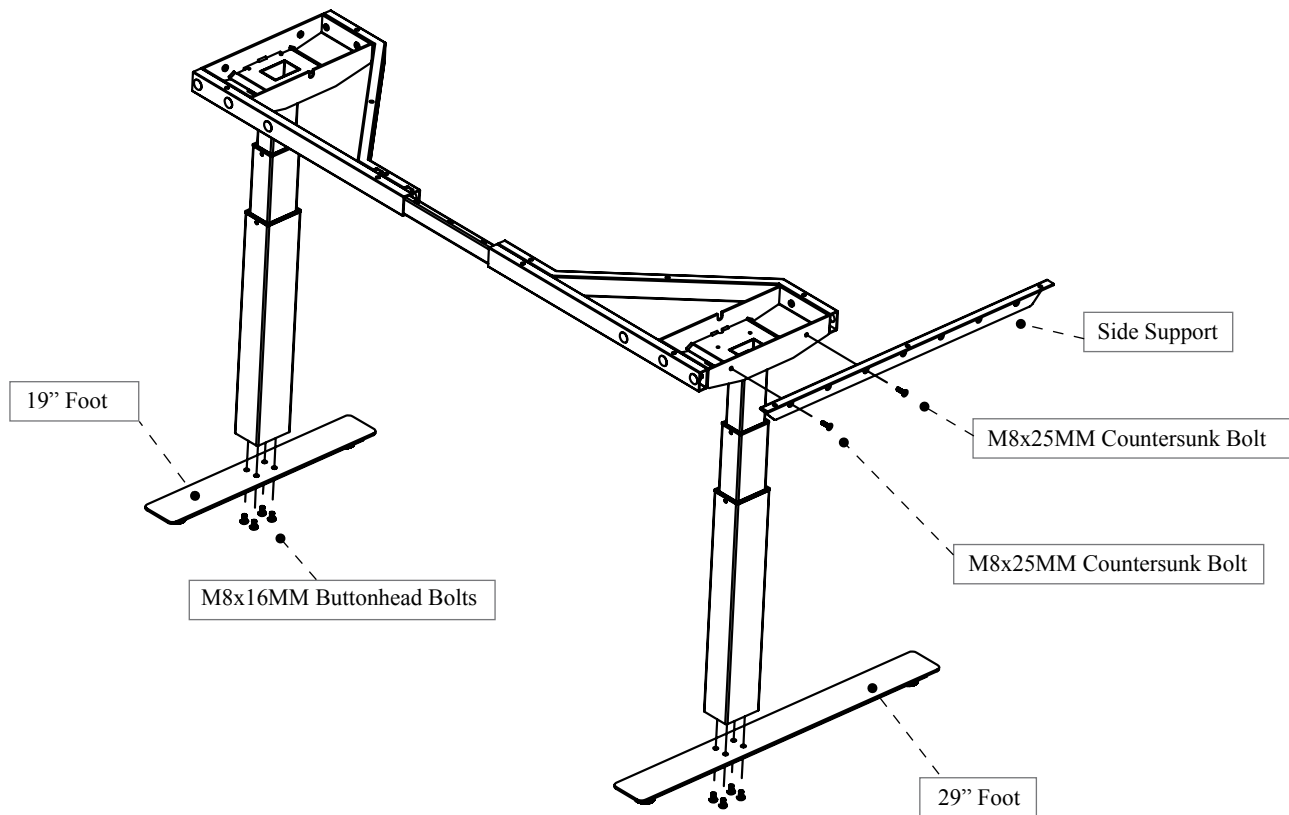


Figure 9. Attach Adjustable Bar to Motor Housings

4d. For 2 Leg EXT Bases: Install Side Support and Feet

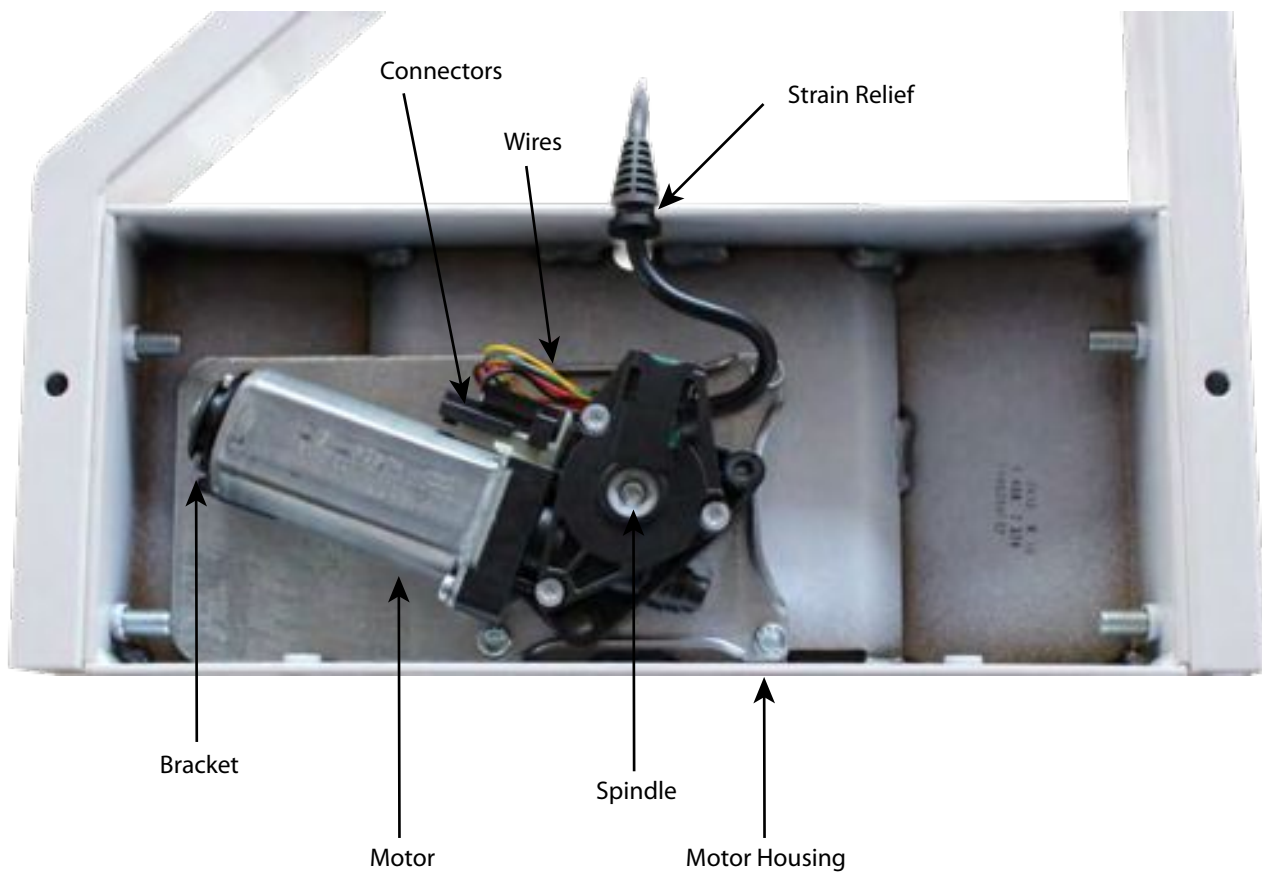


Install the 19" foot and the 29" foot using the M8x16 Buttonhead Bolts supplied. The 29" foot should always be installed on the same leg as the Side Support on the side with the extended corner.

Install the Side Support with the 2 M8x25MM Countersunk Bolts onto the side of the Motor Housing.

5. Check Motor Position

Ensure Motor is properly positioned into the Motor Housing by pushing the Motor fully onto the Spindle and onto the Bracket.
Ensure Motor Cable Strain Relief is positioned in the Motor Housing cut-out.
Ensure all white motor connectors are properly connected and that all wires are loose and not tangled or pulling.



6. Install the Worksurface

Place the Worksurface on the floor with the bottom facing up. Make sure to lay it on a protective layer to prevent scratching.

Using a tape measure, position the frame so that the distance between the back edge of the Worksurface is 3" away from the back of the Adjustable Bar.

Depending on the size of the Worksurface selected, ensure to leave equal distances on both sides of the frame.

Using an Electrical Drill with a Phillips Bit, fasten the frame onto the Worksurface with the 3/16" x 2-1/8" Countersunk Wood Screws. See Figure 10.

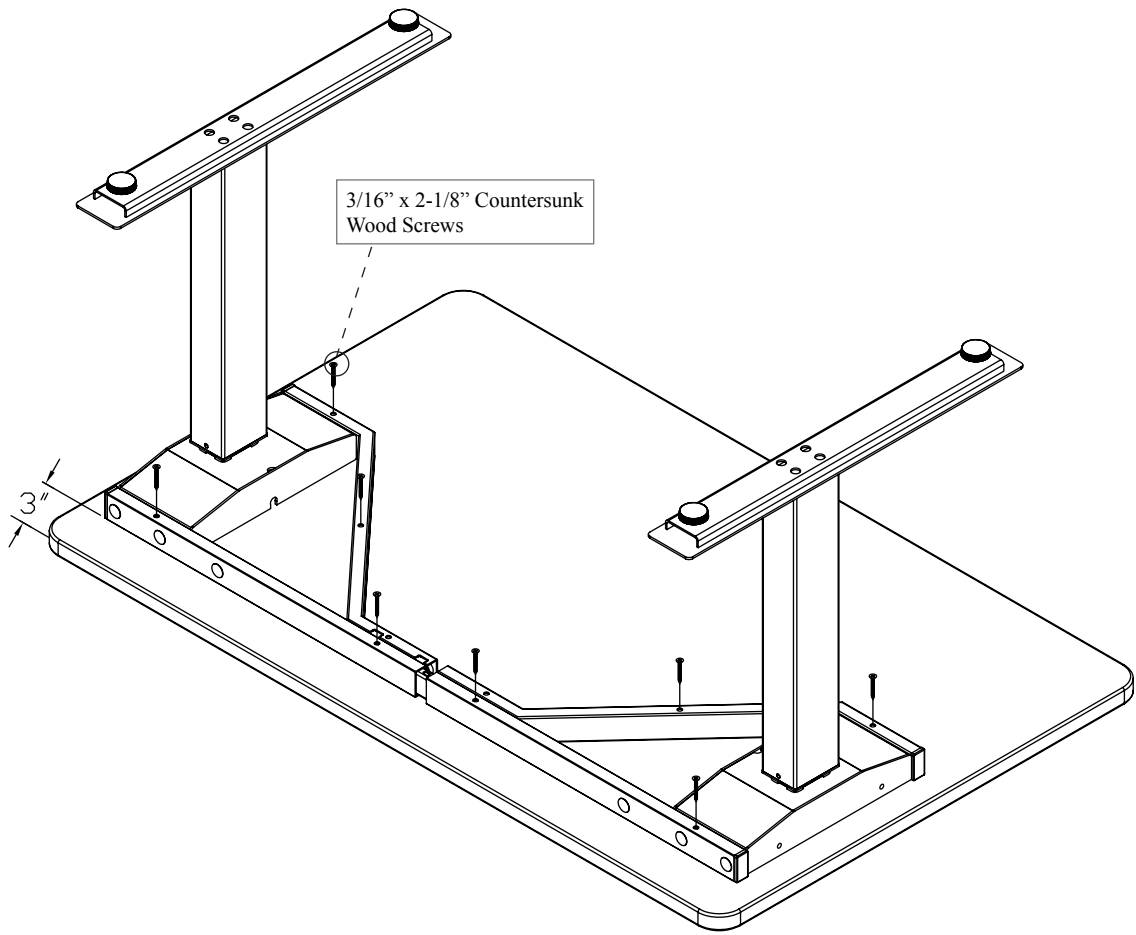


Figure 10. Install the Worksurface

Note: For Digital Readout Memory Switch see separate instruction guide.

7. Mount the Standard Up/Down Switch

Warning: Make sure the Power is disconnected until table is fully assembled

Select a convenient location on the underside of the Worksurface such that the Standard Up/Down Switch can be easily accessed.

To mount the Standard Up/Down Switch use the 1/8" x 5/8" screws provided to fasten it on the underside of the Worksurface in the location selected.

Connect the Motor Cables coming from each Height Adjustable Leg to the Standard Up/Down Switch.

Connect the Power Cable to the Standard Up/Down Switch.

Use the 6 Wire Clips and the 3/16"x3/4" Panhead Wood Screws to attach the Motor Cables and Power Cable onto the underside of the Worksurface. See Figure 11.

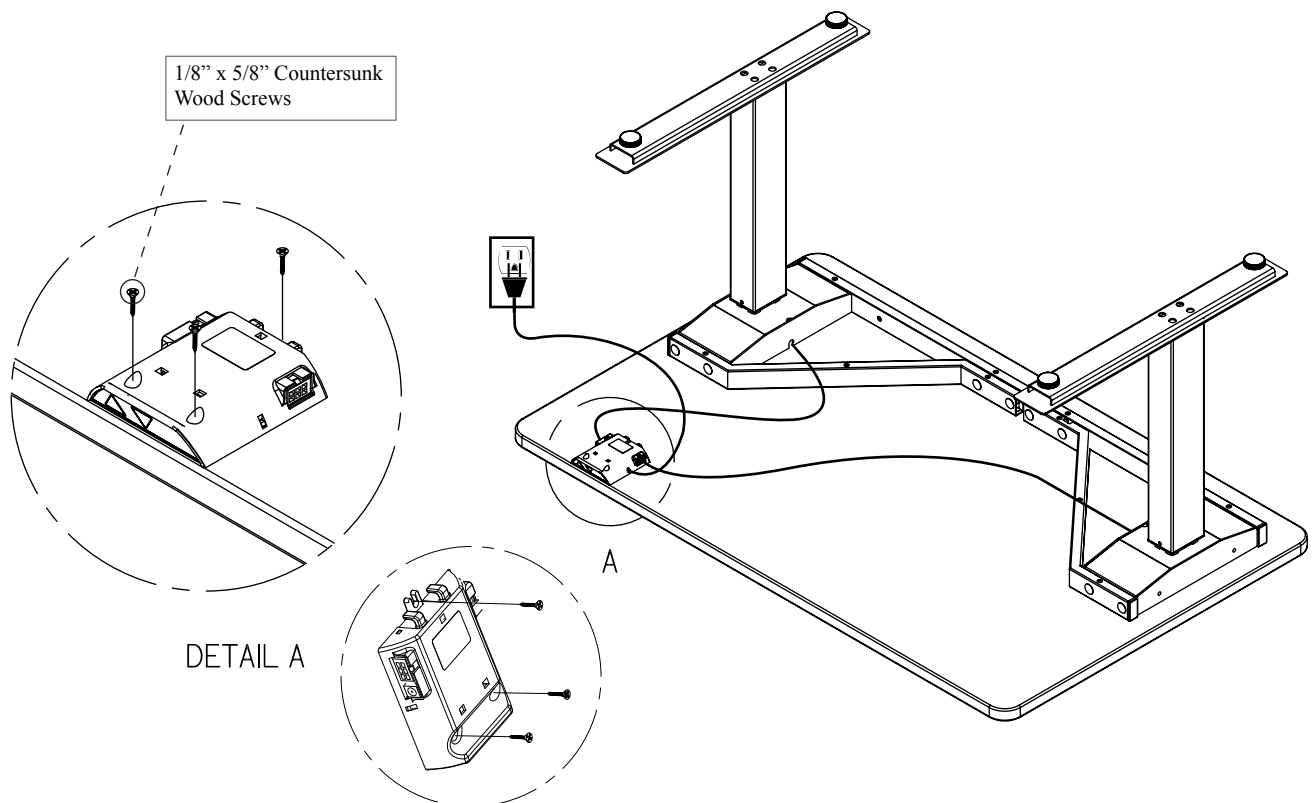


Figure 11. Mount the Standard Up/Down Switch

8. Initializing Instructions for Standard Up/Down Switch

Ensure the table is positioned in its final location and that the Power Cord is plugged into an 110VAC source.

Ensure all cables are properly connected.

1. Press and hold the UP and DOWN button at the same time on the Standard Up/Down Switch for 10 seconds
2. Press and hold the DOWN button to lower the table to its lowest point.
3. Table is ready to be used.

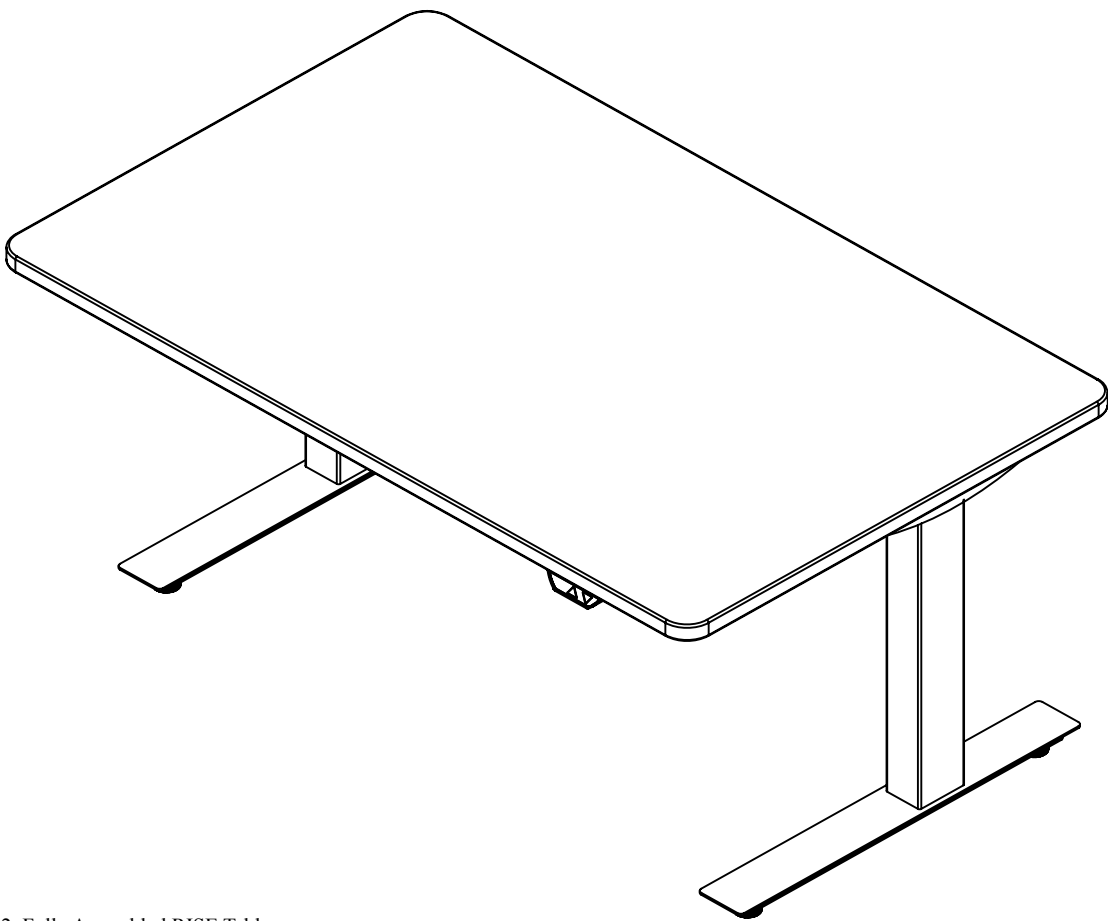


Figure 12. Fully Assembled RISE Table