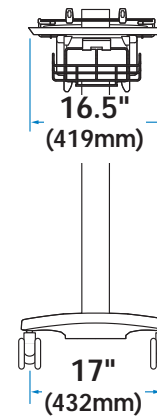
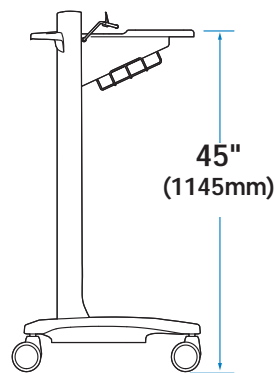
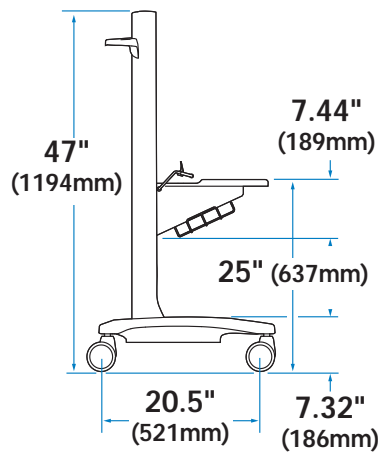


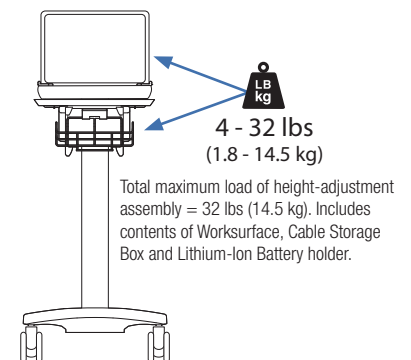
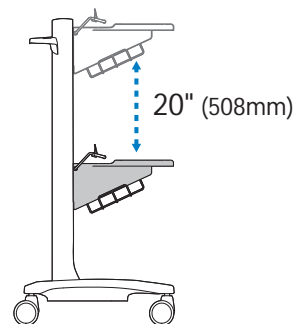
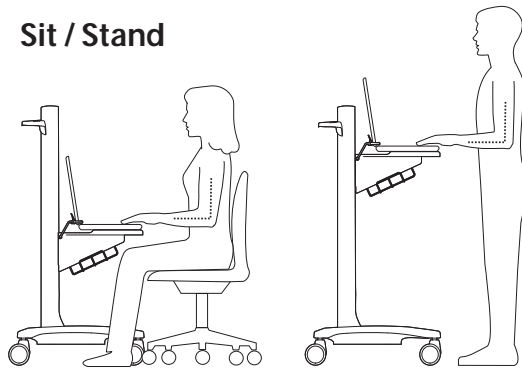
# Ergotron® Neo-Flex™

## Dimensional Illustrations

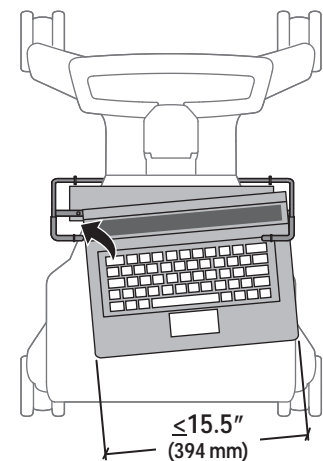
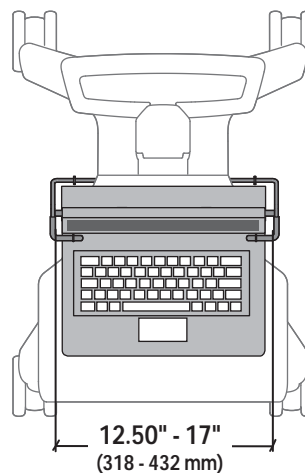
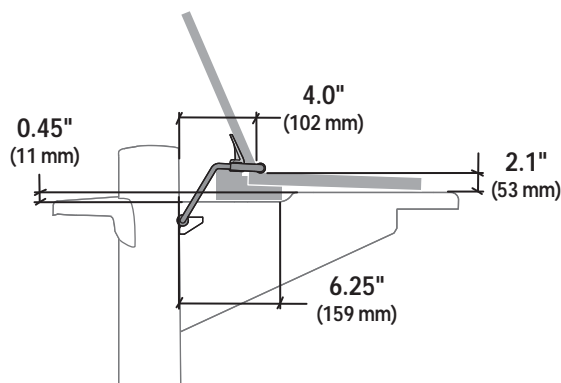
### Laptop Mobile WorkSpace



#### Sit / Stand



#### Laptop Security Bracket



© 2009 Ergotron, Inc. rev. 03/19/09 DIM-073-L Content is subject to change without notification

#### Americas Sales and Corporate Headquarters

St. Paul, MN USA  
(800) 888-8458  
+1-651-681-7600  
www.ergotron.com  
sales@ergotron.com

#### EMEA Sales

Amersfoort, The Netherlands  
+31 33 45 45 600  
www.ergotron.com  
info.eu@ergotron.com

#### APAC Sales

Tokyo, Japan  
www.ergotron.com  
info.apac@ergotron.com

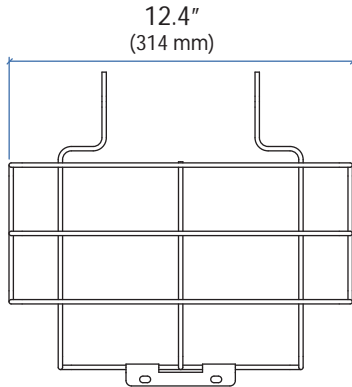
#### Worldwide OEM Sales

www.ergotron.com  
info.oem@ergotron.com

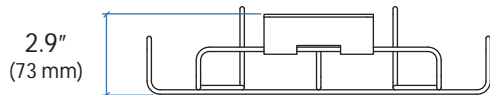
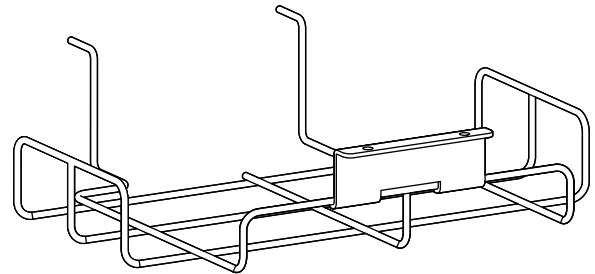


## Laptop Mobile WorkSpace

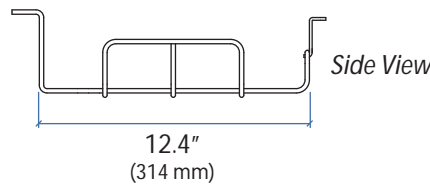
### Lithium-Ion Battery Holder



Top View



Front View



Side View

**Americas Sales and Corporate Headquarters**

St. Paul, MN USA  
(800) 888-8458  
+1-651-681-7600  
www.ergotron.com  
sales@ergotron.com

**EMEA Sales**

Amersfoort, The Netherlands  
+31 33 45 45 600  
www.ergotron.com  
info.eu@ergotron.com

**APAC Sales**

Tokyo, Japan  
www.ergotron.com  
info.apac@ergotron.com

**Worldwide OEM Sales**

www.ergotron.com  
info.oem@ergotron.com

