

ASSEMBLY INSTRUCTIONS

Zido[®] Adjustable-Height Cart



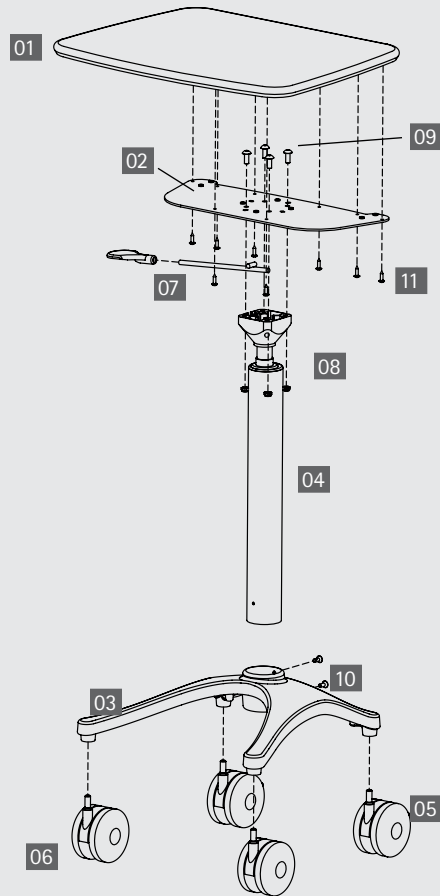
Zido Adjustable, NO LIP	Part#
Adjustable, Heavy Load, 22" w	ZAH22SB/CG4
Adjustable, Heavy Load, 25" w	ZAH25SB/CG4
Adjustable, Light Load, 22" w	ZAL22SB/CG4
Adjustable, Light Load, 25" w	ZAL25SB/CG4

Zido Adjustable, WITH LIP	Part#
Adjustable, Heavy Load, 22" w	ZLH22SB/CG4
Adjustable, Heavy Load, 25" w	ZLH25SB/CG4
Adjustable, Light Load, 22" w	ZLL22SB/CG4
Adjustable, Light Load, 25" w	ZLL25SB/CG4



Anthro Corporation[®] | 10450 SW Manhasset Dr. | Tualatin, OR 97062
Toll-free: 800.325.3841 | Fax: 800.325.0045 | email: sales@anthro.com | anthro.com
Outside the U.S. | Tel: 503.691.2556 | Fax: 503.691.2409

Rev K, January 2011



WELCOME

Thank you for purchasing this Zido Height-adjustable cart!

If you have any questions or if we can help you in any way, please contact us at 800.325.3841.

PARTS LIST

Before beginning assembly of your Zido Height-adjustable Cart, please review the parts list to verify that your shipment is complete.

Product	Quantity	Part Number
01 Cap Shelf For small cart, no lip For small cart, with lip For large cart, no lip For large cart, with lip	1	101-1025-06-50 101-1072-03-50 101-1026-06-50 101-1073-03-50
02 Cap Shelf Bracket	1	225-2620-51
03 Base For Small Cart For Large Cart	1 1	250-5064-52 250-5065-52
04 Column For Light Load Cart For Heavy Load Cart	1 1	835-5290-00 835-5291-00
05 4" Non-locking Caster	2	150-5010-03
06 4" Locking Caster	2	150-5011-03
07 Release Lever and Paddle	1	835-5393-00
08 Lock Nut	4	325-5263-00
09 1" Cap Screws	4	325-5537-00
10 3/4" Flat-head Patch Screws	2	325-5466-00
11 3/4" Wood Screws	8	325-5106-00
12 3/16" Hex Key (not shown)	1	375-5028-00
13 5/32" Hex Driver (not shown)	1	375-5000-00

ASSEMBLY SEQUENCE

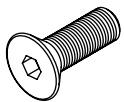
Plan out the assembly sequence to make your installation easier.

1. Pre-drill the top for accessories (Mouse Holder, Side Bin, Gel Cup/Probe Holder, Extension Tube).
2. Assemble the cart.
3. Base Storage Shelf.
4. Drawer, Keyboard Drawer, Handle.
5. SideRacks, Additional Shelves, Equipment Shelves, Metal Bin, IV bracket, SideRack.
6. Cable Bin, Glove Box Holder, Tank Holder.
7. Mouse Holder, Side Bin, Gel Cup & Probe Holder, Extension Tube.
8. Pole Cart Handle, 8" Handle, Flat Panel Mounts.

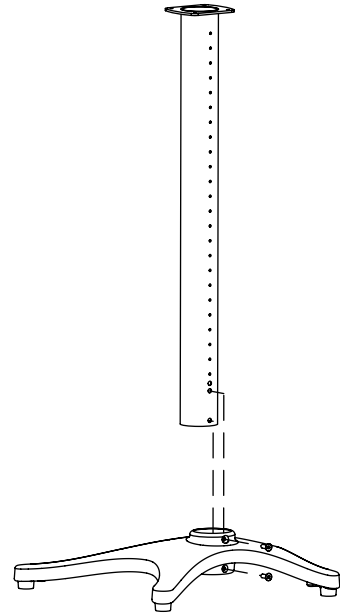
STEP 1A

Connect the Base with the Tube

- The column of your Zido cart comes with two fasteners installed at the base to keep the column components in place during transit. Using the 5/32" hex driver provided, remove those screws and discard them.
- Holding the column from the center (don't push from the top) slide the tube into the base so that the tube goes all the way to the bottom of the base.
- Align the upper hole on the base with a threaded hole in the column. (For the large cart, you'll use the top hole; for the small cart, you'll use the second hole.) Loosely attach the column to the base with the second 5/8" Flat-head Screw.



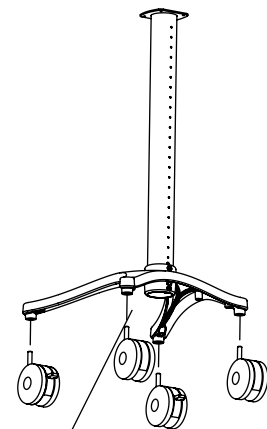
3/4" Flat Hd Screw
325-5466-00



STEP 1B

Insert the Casters

- Place Zido on its side. Add the locking casters (the ones with the brakes) to the front of the base assembly. Add the non-locking casters to the back of the base assembly.
- Use the 3/16" Hex Key to tighten the adjustment screw at the bottom of the column. Turn Zido right side up.

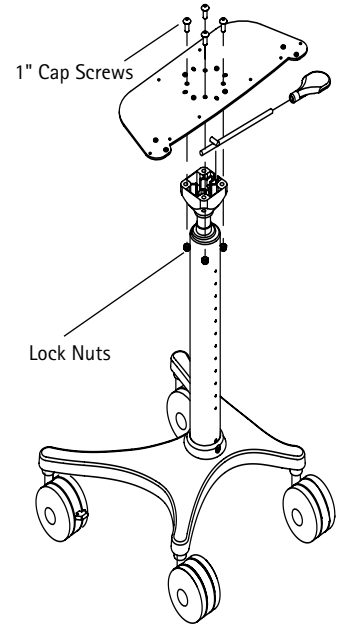


Adjustment Screw

STEP 2

Install the Lever and the Top Plate

- Align the lever with the top of the trunk assembly as shown.
- Locate the bracket. The bottom of the bracket is flat and has no sticker. The top of the bracket has a sticker that says "TOP" and has bumps with threads inside. The bumps on the top of the bracket will nest inside the holes on the cap shelf.
- Align the cap shelf bracket with the trunk assembly so the bracket's tabs are at the back and the "TOP" label is on top.
- Using the 3/16 hex key, insert four 1" Socket-head Cap screws through the holes on the top of the Top Plate and capture with four lock nuts inserted in to the holes in the top of the columns.
- Pull up on the lever to move the column up and down. Repeat a few times to make sure the column moves smoothly. If the lever was installed upside down, the column won't move. If that happens, remove the top plate, invert the lever, and try it again.



1" Socket-head Screw
325-5537-00

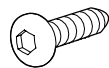


Nylock Nut 5/16-18
325-5189-00

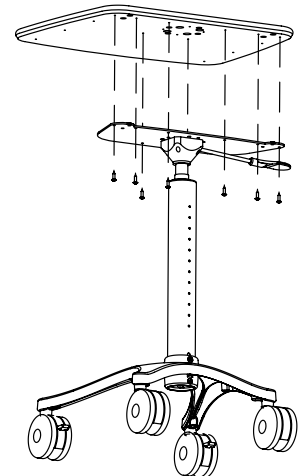
STEP 3

Install the Cap Shelf

- Align the indentations on the bottom of the cap shelf with the screw heads and bumps on the top of the top plate.
- Secure the cap shelf to the cart with eight 3/4" wood screws.
- Tighten the 3/4" flat-head screws that connect the column to the base.
- Pull the paddle up and move the column up and down a few times to loosen the mechanism. Be sure to operate the column from the back of the cart so you have plenty of leverage.



3/4" Wood Screw
325-5106-00



CONGRATULATIONS!
YOUR ZIDO ADJUSTABLE CART ASSEMBLY IS COMPLETE!

Anthro Corporation® | 10450 SW Manhasset Dr. | Tualatin, OR 97062
Toll-free: 800.325.3841 | Fax: 800.325.0045 | email: sales@anthro.com | anthro.com
Outside the U.S. | Tel: 503.691.2556 | Fax: 503.691.2409



300-5418-00

Warranty:

Zido carts have a Lifetime Warranty; the cylinder has a five-year warranty.

Notices:

Technology Furniture and Zido are trademarks of Anthro Corporation. Anthro reserves the right to modify the design and specifications without prior notice.


ANTHRO
Technology Furniture®
– Fast and Friendly!