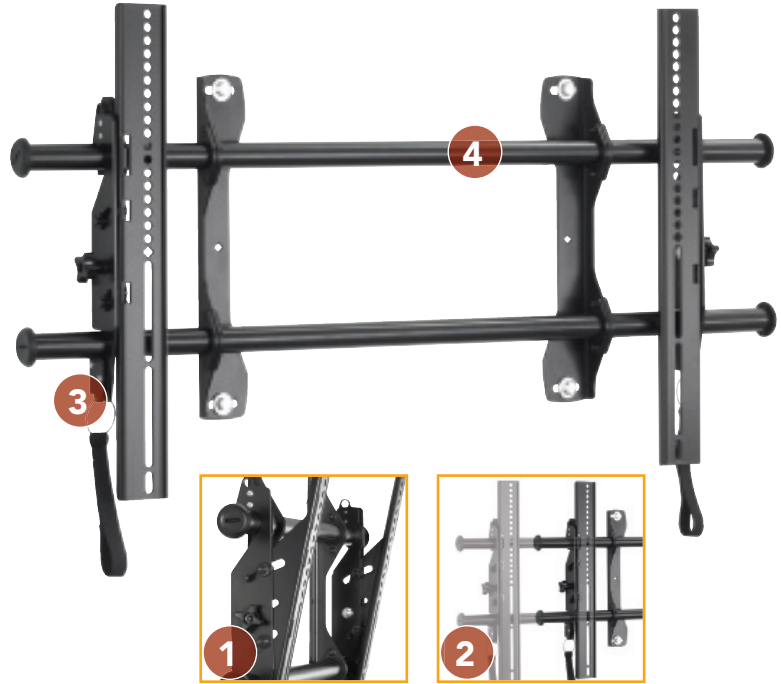




FEATURES

- 1 CENTRIS® LOW-PROFILE TILT**
Centris fingertip tilt technology uses the center of gravity to balance the screen while maintaining a low profile under 2" deep! Screen angle stays set in place until readjusted.
- 2 CENTERLESS™ SHIFT**
Provides up to 16" of post-installation lateral shift – 8" left/right of uprights – for limitless centering capabilities.
- 3 CLICKCONNECT®**
Hear an audible click when the screen safely engages with the mount. A built-in cable stand provides easy access under the screen.
- 4 CUSTOMIZABLE ACCESSORY SYSTEM**
A full line of supporting accessories can be integrated with the mount, extending the same adjustment benefits to the entire configuration.



SPECIFICATIONS

Depth from Wall	1.98" (50 mm)
Tilt*	-12°
Max Lateral Shift	17.5" (445 mm)
Dimensions (HxWxD)	13.2" x 34.44" x 1.99" (335 x 875 x 51 mm)
Max Mounting Pattern	19.88" (505 mm), height 35.35" (895 mm), width
Color	Black
Weight Capacity	200 lbs (90.7 kg)

*Varies with screen height.

WHAT YOU NEED TO KNOW

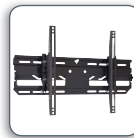
ORDERING OPTIONS

Available in custom and universal.

MULTIPLE INSTALLATION OPTIONS

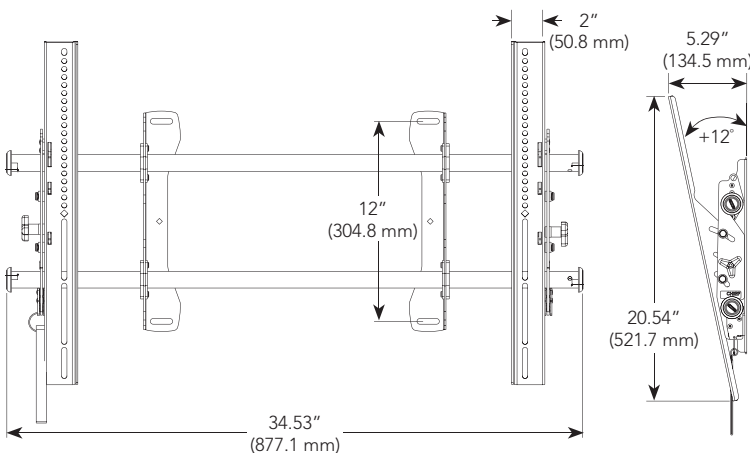
Can be installed on 12" on-centers up to 32".

OTHER PRODUCT OPTIONS



RLT1™
30 - 60" Tilt Rail Mount

TECHNICAL DRAWINGS



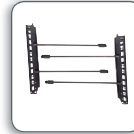
RECOMMENDED ACCESSORIES



FVS150 ■ 12" (305 mm) Video Conferencing Shelf - below



FCS100 ■ Single Component Shelf - below



FLR100 ■ Left/Right Speaker Adapter

For a complete list of FUSION mount accessories see page 87.