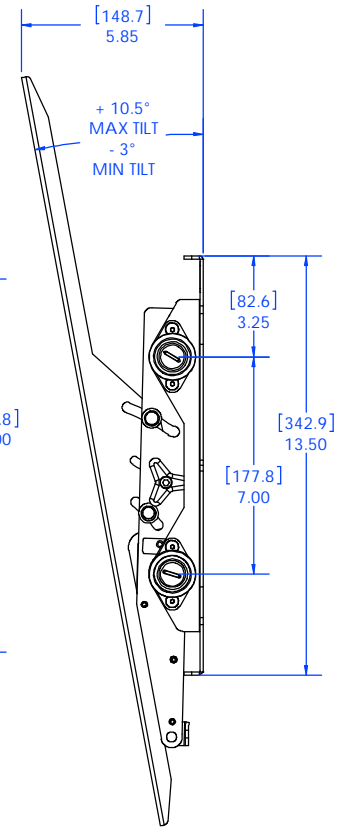
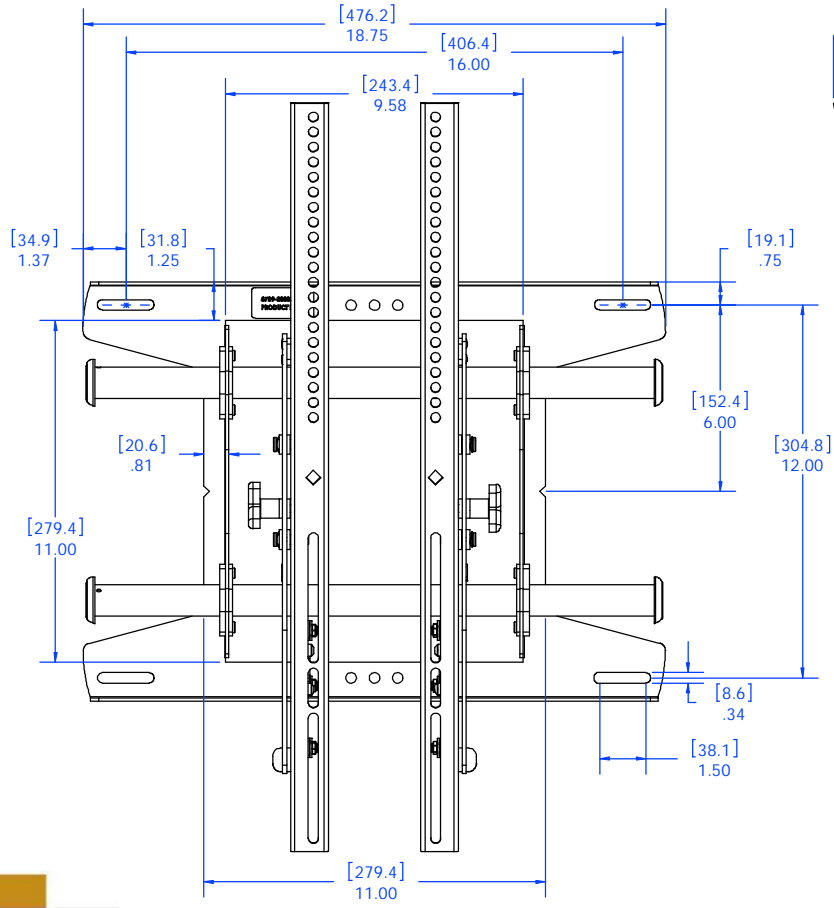
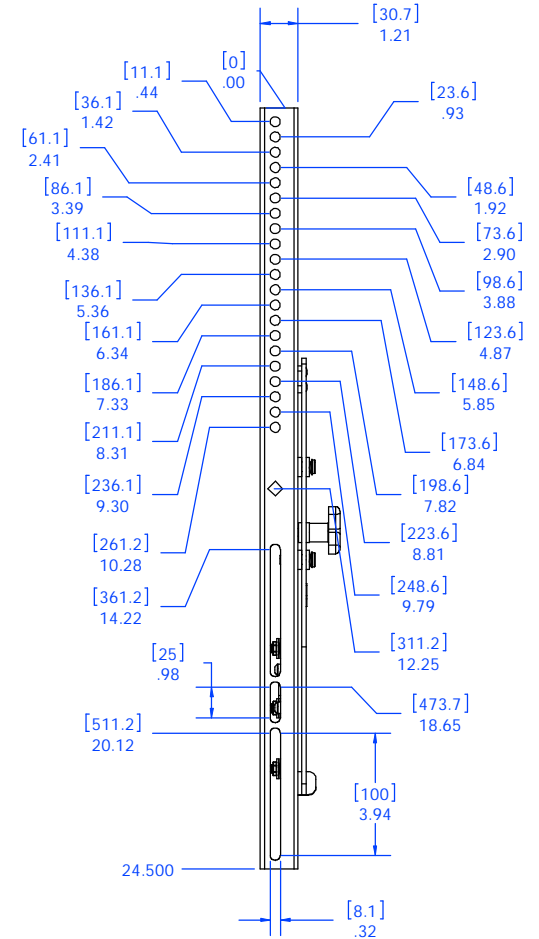


MINIMUM HORIZONTAL MOUNTING PATTERN
 3.937", 100 mm
 MAXIMUM HORIZONTAL MOUNTING PATTERN
 WITHOUT SWITCHING KNOB
 15.75", 400 mm
 MAX HORIZONTAL MOUNTING PATTERN
 WITH SWITCHING KNOB
 18.10", 460 mm



DEPTH AT 0°
 2.40"
 61 mm



MAX VERTICAL MOUNTING PATTERN
 23.6", 600 mm



CHIEF MANUFACTURING INC.
 MOUNT ORDER NUMBER IS MTAPU
 PHONE: 1-800-582-6480

THE INFORMATION AND DESIGNS CONTAINED IN THIS DRAWING ARE CONFIDENTIAL AND THE PROPRIETARY PROPERTY OF CHIEF MFG., INC. NEITHER THIS DESIGN NOR ANY INFORMATION CONTAINED IN THIS DRAWING MAY BE REPRODUCED OR DISCLOSED TO OTHERS WITHOUT THE EXPRESS WRITTEN CONSENT OF CHIEF MFG., INC.

CHIEF MANUFACTURING, INC.
 8401 EAGLE CREEK PKWY STE. 700, SAVAGE, MN 55378
 1.800.582.6480 * FAX 1.877.894.8918

TITLE

MTAPU