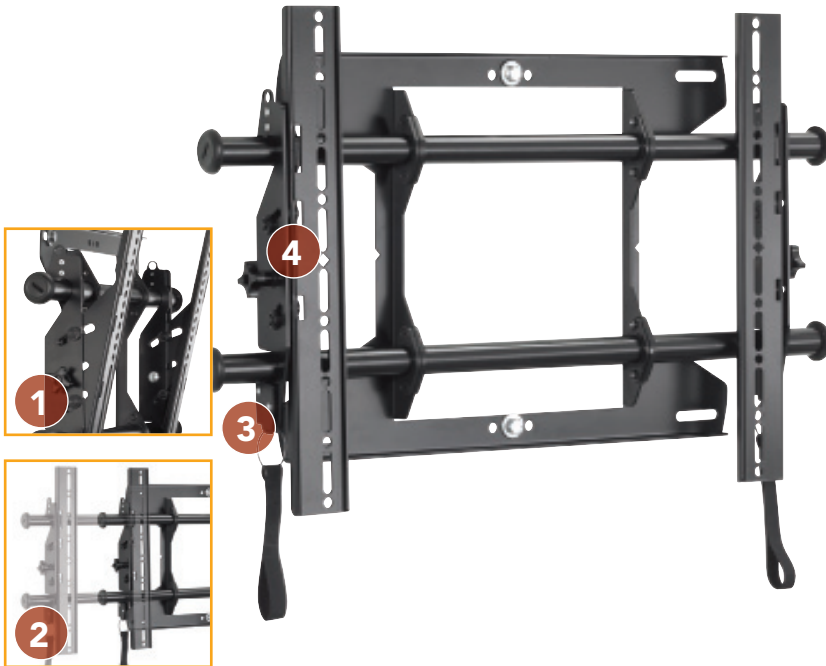




# TILT WALL MOUNTS MTA™ □ 26 - 47" TILT WALL MOUNT

## FUSION SERIES



### FEATURES

- 1 CENTRIS® LOW-PROFILE TILT**  
Centris fingertip tilt technology uses the center of gravity to balance the screen while maintaining a low profile under 2" deep! Screen angle stays set in place until readjusted.
- 2 CENTERLESS™ SHIFT**  
Provides up to 14.5" of post-installation lateral shift – 7.25" left/right of uprights – for limitless centering capabilities.
- 3 CLICKCONNECT®**  
Hear an audible click when the screen safely engages with the mount. A built-in cable stand provides easy access under the screen.
- 4 CUSTOMIZABLE ACCESSORY SYSTEM**  
A full line of supporting accessories can be integrated with the mount, extending the same adjustment benefits to the entire configuration.

### WHAT YOU NEED TO KNOW

#### ORDERING OPTIONS

Available in custom or universal.

#### MULTIPLE INSTALLATION OPTIONS

Installation options include: single- or dual-stud mounting on 16" centers.

#### OTHER PRODUCT OPTION



**RMT1™**  
26 - 40" Tilt Rail Mount

### SPECIFICATIONS

Tilt*	-12°
Max Lateral Shift	14.5" (368 mm)
Mounts on Studs	single stud or 16" centers
Dimensions (HxWxD)	13.5" x 25.44" x 1.99" (343 x 646 x 51 mm)
Max Mounting Pattern	15.75" (400 mm), height 26.18" (665 mm), width
Color	Black
Weight Capacity	75 lbs (34 kg), single stud 125 lbs (57 kg), dual stud

\*Varies with screen height.

### RECOMMENDED ACCESSORIES



**FVS250** ■ 12" (305 mm) Video Conferencing Shelf - above



**FCA100** ■ CAT 5/Surge CPU Adapter



**FCS100** ■ Single Component Shelf - below

For a complete list of FUSION mount accessories see page 87.

### TECHNICAL DRAWINGS

