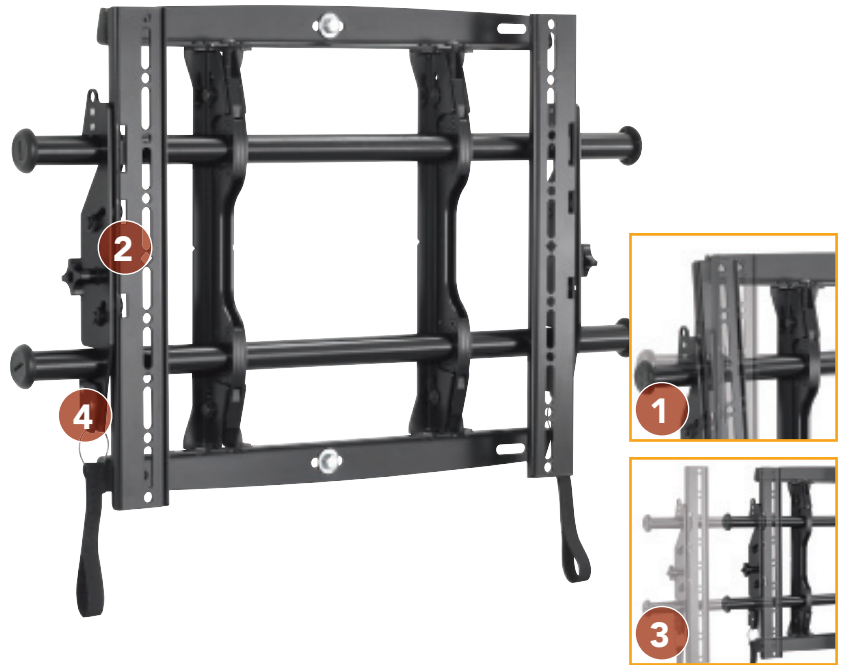




### FEATURES

- 1 CONTROLZONE™ LEVELING**  
Industry-first feature allows post-installation fine tuning of height and leveling, up to 0.5" (13 mm) adjustment up or down.
- 2 CENTRIS® LOW-PROFILE TILT**  
Centris fingertip tilt technology uses the center of gravity to balance the screen while maintaining a low profile under 2" deep! Screen angle stays set in place until readjusted.
- 3 CENTERLESS™ SHIFT**  
Provides up to 14.5" of post-installation lateral shift – 7.25" left/right of uprights – for limitless centering capabilities.
- 4 CLICKCONNECT®**  
Hear an audible click when the screen safely engages with the mount. A built-in cable stand provides easy access under the screen.

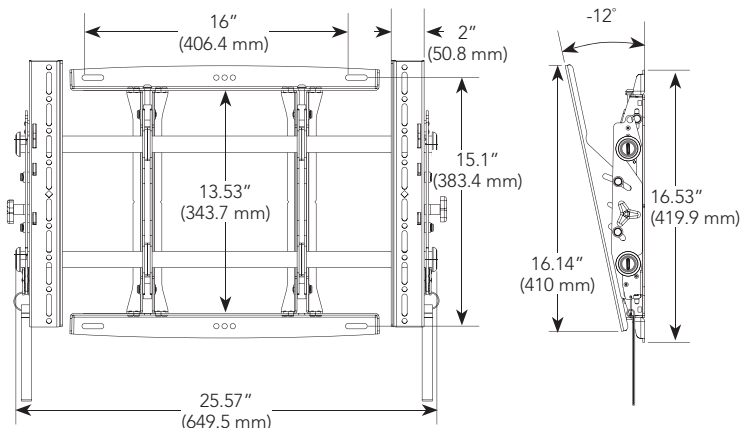


### SPECIFICATIONS

Tilt*	-12°
Max Lateral Shift	14.5" (368 mm)
Mounts on Studs	single stud or 16" centers
Dimensions (HxWxD)	16.53" x 25.44" x 1.99" (420 x 646 x 51 mm)
Max Mounting Pattern	15.75" (400 mm), height 26.18" (665 mm), width
Color	Black
Weight Capacity	75 lbs (34 kg), single stud 125 lbs (57 kg), dual stud

\*Varies with screen height.

### TECHNICAL DRAWINGS



### WHAT YOU NEED TO KNOW

#### ORDERING OPTIONS

Available in custom and universal.

#### MULTIPLE INSTALLATION OPTIONS

Installation options include: single- or dual-stud mounting on 16" centers.

#### OTHER PRODUCT OPTIONS



#### MWC™

Tilt Wall Mount with CPU Storage (up to 40")

### RECOMMENDED ACCESSORIES



**FVS250** ■ 12" (305 mm) Video Conferencing Shelf - above



**PAC521P** ■ In-Wall Box with Power Outlet Conditioner



**FCS100** ■ Single Component Shelf - below

For a complete list of FUSION mount accessories see page 87.