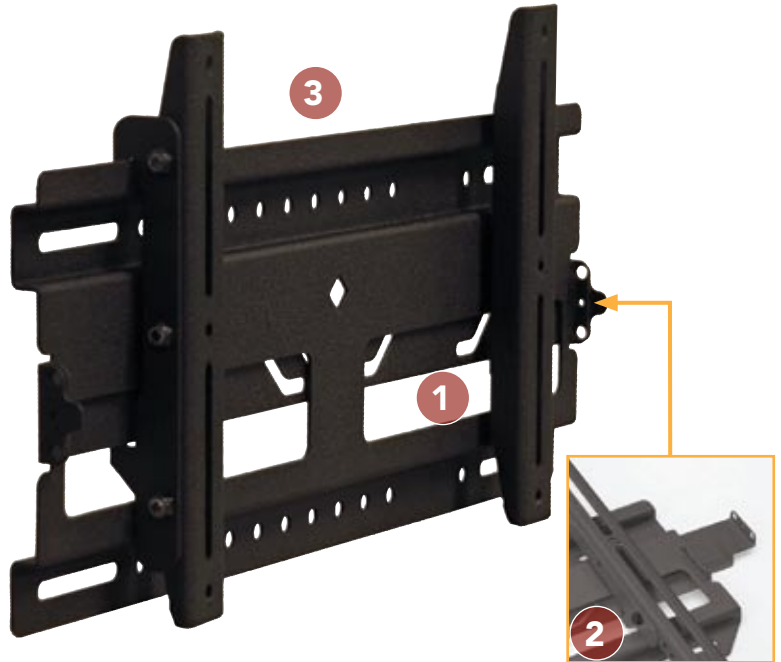




## FEATURES

- 1 INTEGRATED LATERAL SHIFT**  
Reposition mount 2.25" (57 mm) left or right after installation for ultimate positioning flexibility.
- 2 EXCLUSIVE GLIDE LOCK™ LATCH**  
Tool-less locking feature saves time and effectively secures flat panel to wall mount.
- 3 RAPID LEVELING™**  
Hands-free leveling of mount on wall.



## SPECIFICATIONS

Depth from Wall	1.63" (41 mm)
Lateral Shift	2.25" (57 mm)
Dimensions* (HxWxD)	10.25" x 20" x 1.63" (260 x 508 x 41 mm)
Color	Black
Weight Capacity	100 lbs (45.4 kg)

\* Dimensions don't include interface bracket



## WHAT YOU NEED TO KNOW

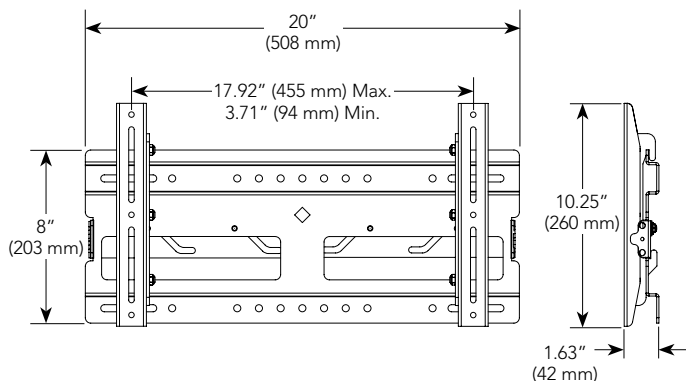
### UNIVERSAL FIXED MOUNT

The maximum width between your mounting holes must be less than 17.9" (455 mm) and the maximum height must be less than 9.25" (235 mm) to ensure compatibility of this mount.

### INSTALLATION

Includes all mounting hardware.

## TECHNICAL DRAWINGS



## RECOMMENDED ACCESSORIES



**PAC515** ■ New Construction Pre-Wire Box



**PAC520** ■ Multiple Option New Construction Pre-Wire Box



**PACPC1** ■ Power Filter

For a complete list of flat panel mount accessories see page 69.