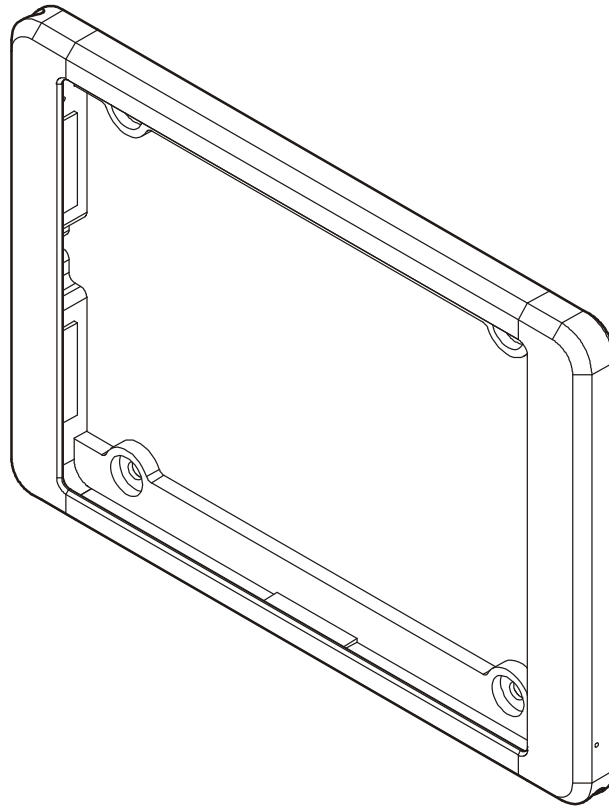

INSTALLATION INSTRUCTIONS



iPad® 2 and 3 Flush Mount Bracket

DISCLAIMER

Milestone AV Technologies and its affiliated corporations and subsidiaries (collectively "Milestone"), intend to make this manual accurate and complete. However, Milestone makes no claim that the information contained herein covers all details, conditions or variations, nor does it provide for every possible contingency in connection with the installation or use of this product. The information contained in this document is subject to change without notice or obligation of any kind. Milestone makes no representation of warranty, expressed or implied, regarding the information contained herein. Milestone assumes no responsibility for accuracy, completeness or sufficiency of the information contained in this document.

Chief® is a registered trademark of Milestone AV Technologies. All rights reserved.

iPad® is a registered trademark of Apple Inc.

! IMPORTANT SAFETY INSTRUCTIONS

! WARNING: A WARNING alerts you to the possibility of serious injury or death if you do not follow the instructions.

! CAUTION: A CAUTION alerts you to the possibility of damage or destruction of equipment if you do not follow the corresponding instructions.

! WARNING: Failure to read, thoroughly understand, and follow all instructions can result in serious personal injury, damage to equipment, or voiding of factory warranty! It is the installer's responsibility to make sure all components are properly assembled and installed using the instructions provided.

! WARNING: Use this mounting system only for its intended use as described in these instructions. Do not use attachments not recommended by the manufacturer.

! WARNING: Never operate this mounting system if it is damaged. Return the mounting system to a service center for examination and repair.

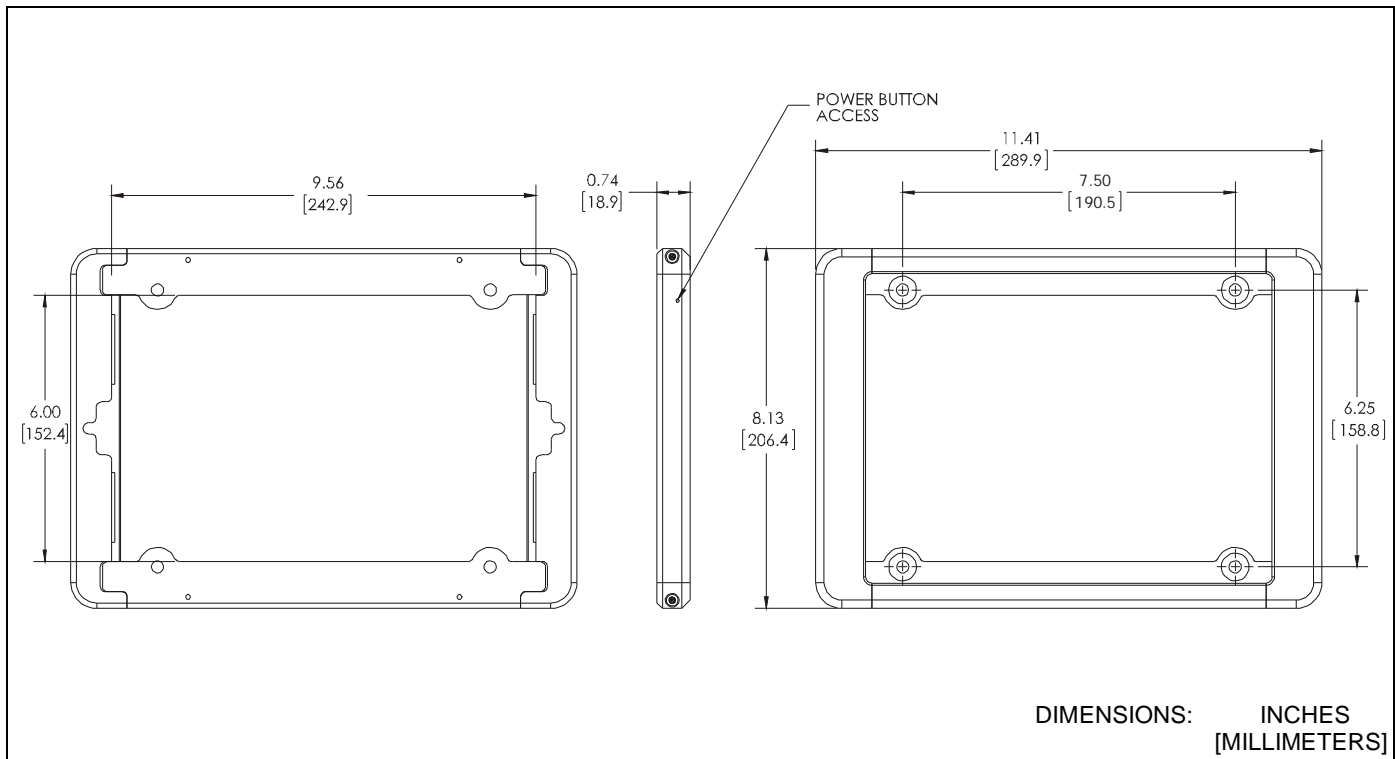
! WARNING: Do not use this product outdoors.

IMPORTANT ! : The FSRI2T is designed for use with the iPad 2 and iPad 3 mobile digital device models.



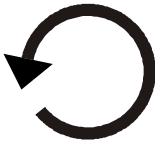

IMPORTANT ! : The FSRI2T is designed to mount directly to a drywall (1/2" minimum thickness) or concrete wall.

--SAVE THESE INSTRUCTIONS--

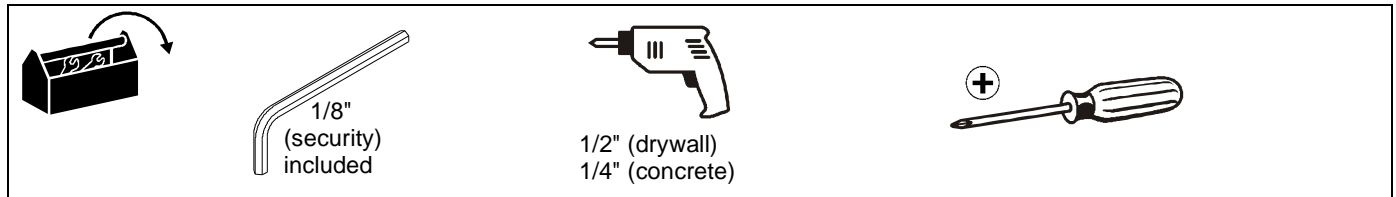
DIMENSIONS



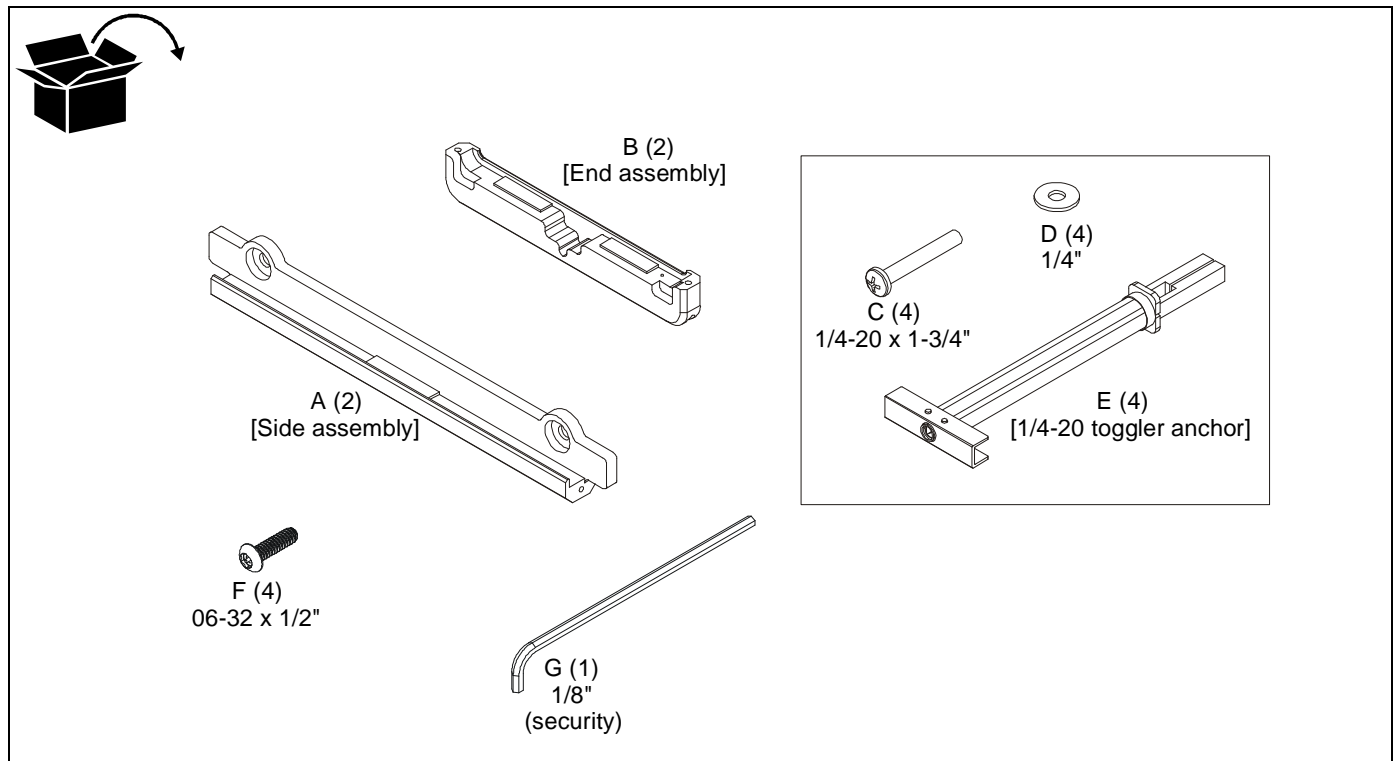
LEGEND

	Tighten Fastener		Security Wrench
	Apretar elemento de fijación		Llave de seguridad
	Befestigungsteil festziehen		Sicherheitsschlüssel
	Apertar fixador		Chave de segurança
	Serrare il fissaggio		Chiave di sicurezza
	Bevestiging vastdraaien		Veiligheidsleutel
Serrez les fixations	Clé de sécurité		
	Loosen Fastener		Phillips Screwdriver
	Aflojar elemento de fijación		Destornillador Phillips
	Befestigungsteil lösen		Kreuzschlitzschraubendreher
	Desapertar fixador		Chave de fendas Phillips
	Allentare il fissaggio		Cacciavite a stella
	Bevestiging losdraaien		Kruiskopschroevendraaier
Desserrez les fixations	Tournevis à pointe cruciforme		

TOOLS REQUIRED FOR INSTALLATION



PARTS



ASSEMBLY AND INSTALLATION

NOTE: The FSRI2T is compatible with the iPad® 2 and iPad® 3 mobile digital device models alone, not mounted in a case.

Assembly

1. Assemble two side assemblies (A) to two end assemblies (B). (See Figure 1)
2. Fasten side and end assemblies together using four 06-32 x 1/4" buttonhead security screws (F). (See Figure 1)

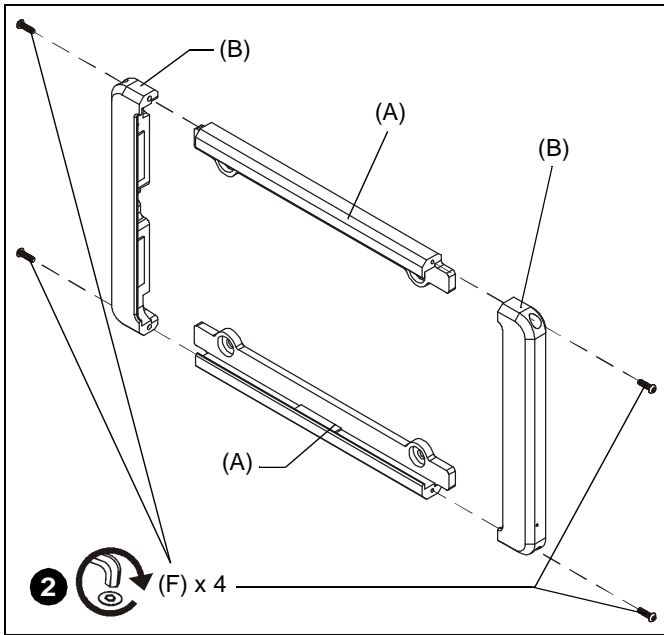


Figure 1

Installation

NOTE: The FSRI2T mounts directly to a drywall (1/2" minimum thickness) or concrete wall.

Installing to Drywall (1/2" thick minimum)

1. Determine mounting location on wall, ensuring that holes will be drilled into drywall, not into wood studs.
2. Using FSRI2T as a template, level and mark four holes at the four holes in FSRI2T. (See Figure 2)
3. Drill four 1/2" pilot holes at marked locations on wall. (See Figure 2)

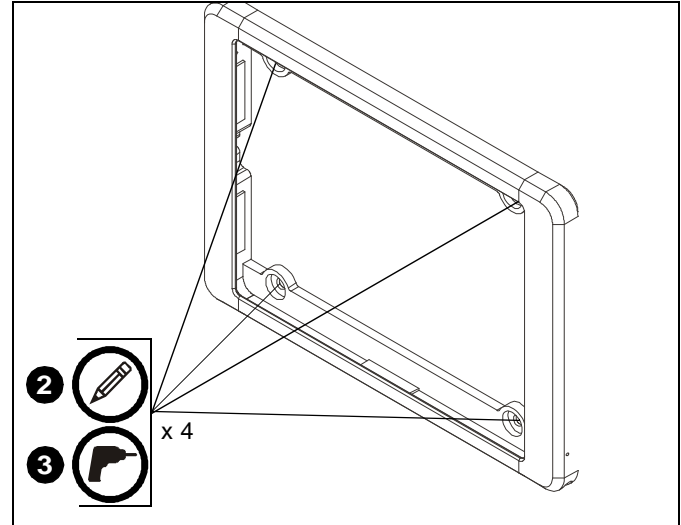


Figure 2

4. Hold metal channel on 1/4-20 toggler anchor (E) flat alongside plastic straps and slide channel through pilot hole. (See Figure 3)

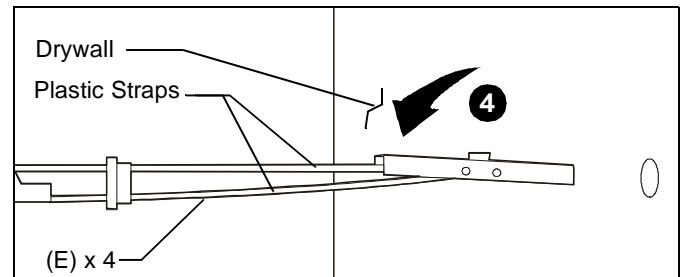


Figure 3

5. Holding plastic straps on anchor, pull anchor away from wall until channel rests flush behind wall making sure anchor channel is positioned vertically behind drywall. (See Figure 4)
6. Slide plastic cap on anchor towards wall until flange of cap is flush with wall. (See Figure 4)

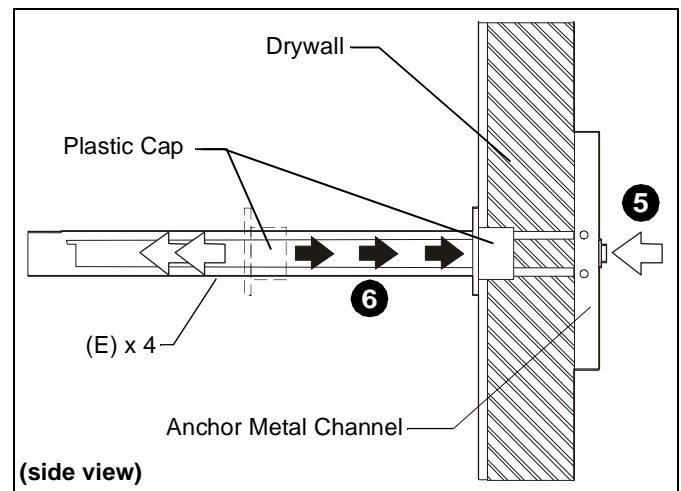


Figure 4

7. Snap off plastic straps on anchor at wall by pushing side to side, snapping off straps level with flange of plastic cap. (See Figure 5)
8. Repeat Steps 4 through 7 for each mounting hole.

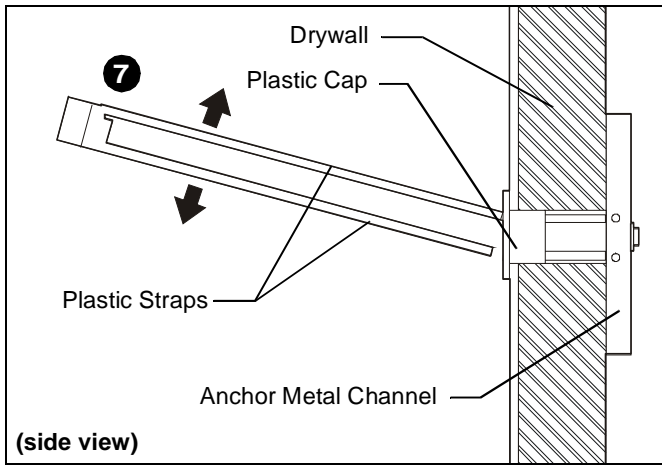


Figure 5

9. Place FSRI2T over anchors and align mounting holes in FSRI2T with holes in anchors. (See Figure 1)
10. Insert 1/4-20 x 1-3/4" Phillips pan head screw (C) through 1/4" washer (D), corresponding mounting hole on FSRI2T and into toggler anchor (E) and tighten until flush against mount. DO NOT overtighten! (See Figure 1)
11. Repeat Steps 10 and 11 for remaining 3 mounting holes.



WARNING: IMPROPER INSTALLATION CAN LEAD TO EQUIPMENT FALLING CAUSING SERIOUS PERSONAL INJURY OR DAMAGE TO EQUIPMENT! Overtightening of mounting hardware can damage the steel studs. DO NOT overtighten mounting hardware!

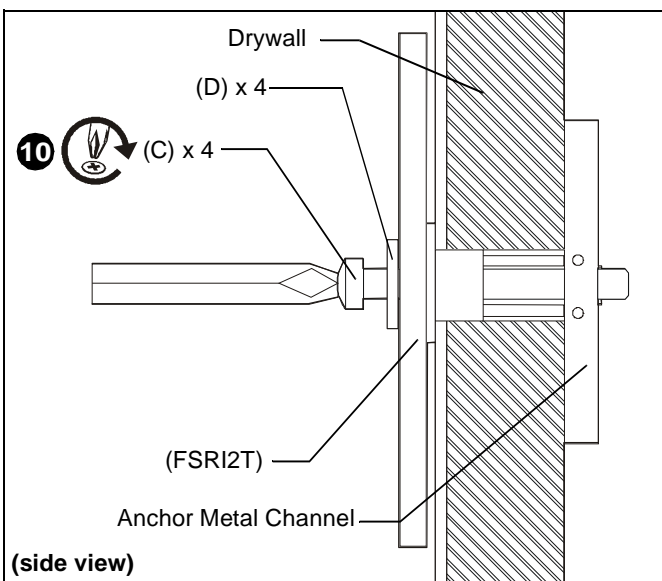


Figure 6

Installing to Concrete Wall

1. Determine mounting location on wall.
2. Using FSRI2T as a template, level and mark four holes at the four holes in FSRI2T. (See Figure 7)
3. Drill four 1/4" pilot holes at marked locations on wall. (See Figure 7)
4. Install four 1/4-20 x 1-3/4" Phillips pan head screws (C) through four 1/4" washers (D), holes in FSRI2T and into four pilot holes. (See Figure 7)

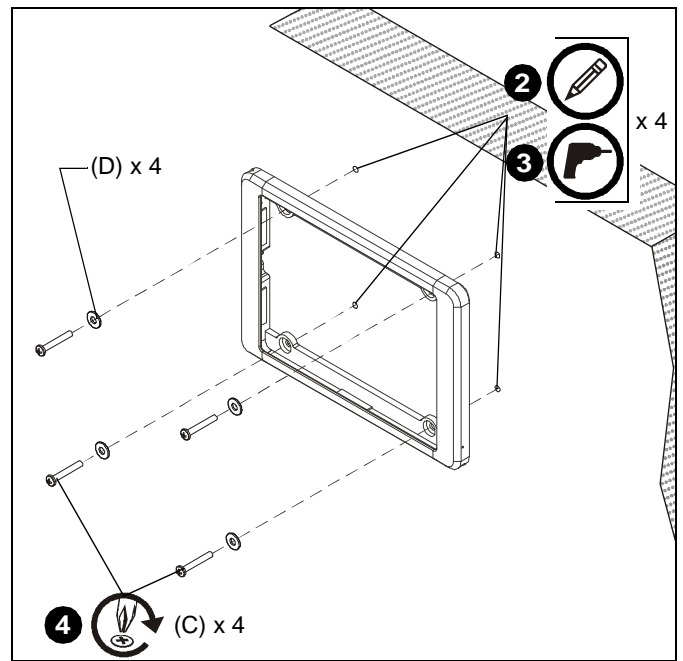


Figure 7

Installing iPad® 2 or 3

1. Remove two 06-32 x 1/4" buttonhead security screws from one end of the FSRI2T. (See Figure 8)
2. Remove one end of FSRI2T. (See Figure 8)

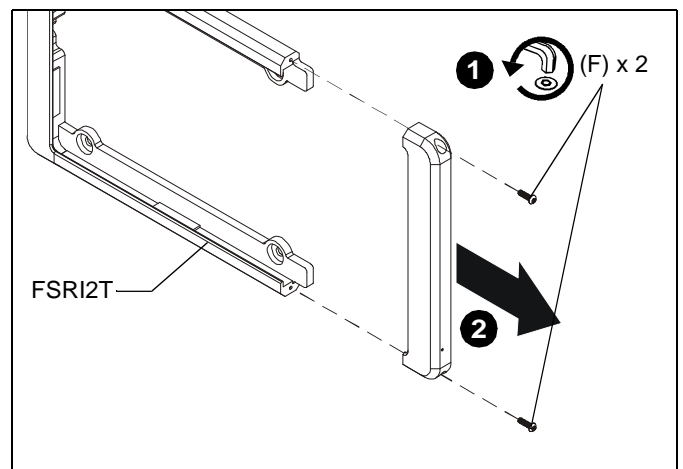


Figure 8

3. Attach power cord to iPad, if desired. Cable must pass through wall and be connected to an appropriate power supply. (See Figure 9)
4. Slide iPad into FSRI2T mount, ensuring that power cord is placed in slot located on FSRI2T.
5. Replace end piece of FSRI2T.
6. Fasten FSRI2T together using the two 06-32 x 1/4" buttonhead security screws removed previously in Step 1. (See Figure 9)

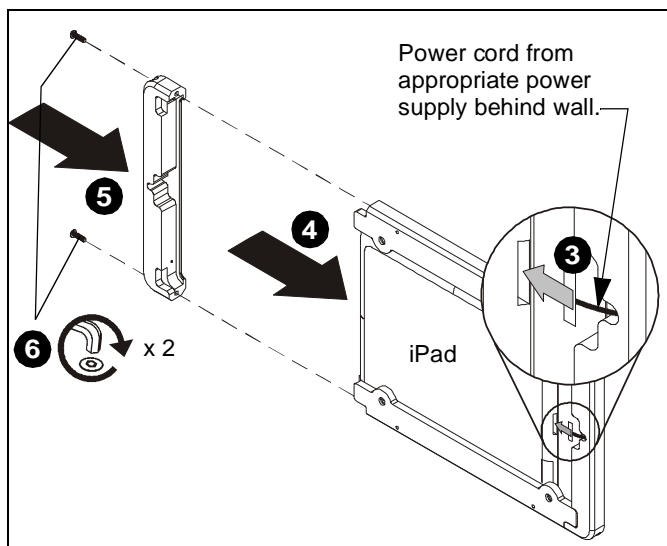


Figure 9



Our Mounts. **Your Vision.**

Chief Manufacturing, a products division
of Milestone AV Technologies

8800-002211 Rev00
©2012 Milestone AV Technologies, a
Duchossois Group Company
www.chiefmfg.com
08/12

USA/International	A 6436 City West Parkway, Eden Prairie, MN 55344 P 800.582.6480 / 952.225.6000 F 877.894.6918 / 952.894.6918
Europe	A Franklinstraat 14, 6003 DK Weert, Netherlands P +31 (0) 495 580 852 F +31 (0) 495 580 845
Asia Pacific	A Office No. 1 on 12/F, Shatin Galleria 18-24 Shan Mei Street Fotan, Shatin, Hong Kong P 852 2145 4099 F 852 2145 4477

