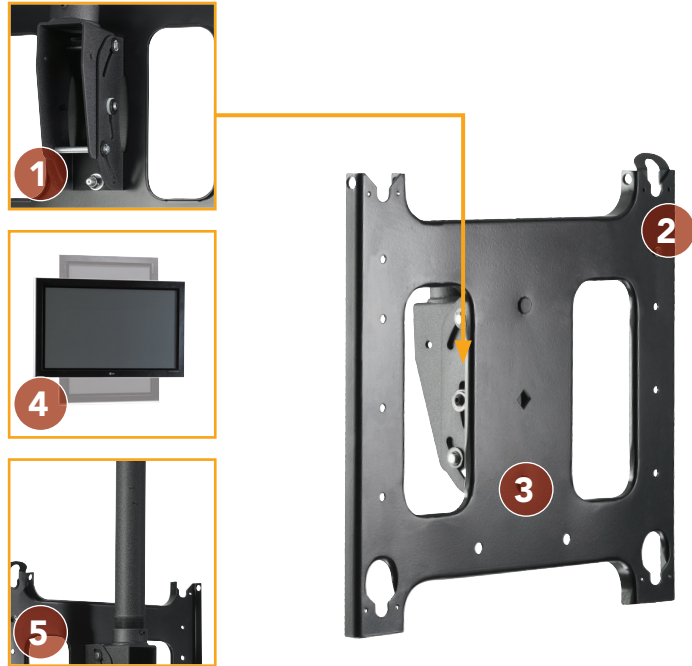




FEATURES

- 1 CENTRIS® FINGERTIP TILT**
Effortlessly adjust display using Centris fingertip tilt technology. Screen angle stays set until you decide to readjust.
- 2 Q-LATCH® MOUNTING SYSTEM**
Flat panel secures to mount with a latching flag. Easy to connect/disconnect – no tools needed!
- 3 POST-INSTALLATION LEVELING**
No tools needed. Ultra fast and easy screen positioning with lock-down capability.
- 4 PORTRAIT/LANDSCAPE CAPABILITY**
Mounts in either portrait or landscape position.
- 5 CABLE MANAGEMENT**
Easily route cables through 1-1/2" NPT extension column. Columns sold separately.



SPECIFICATIONS

Roll	±2°
Tilt	-20°, +5°
Yaw	360°
Color	Black
Weight Capacity	200 lbs (90.7 kg)



WHAT YOU NEED TO KNOW

ORDERING OPTIONS

Available in custom or universal.

OTHER PRODUCT OPTIONS

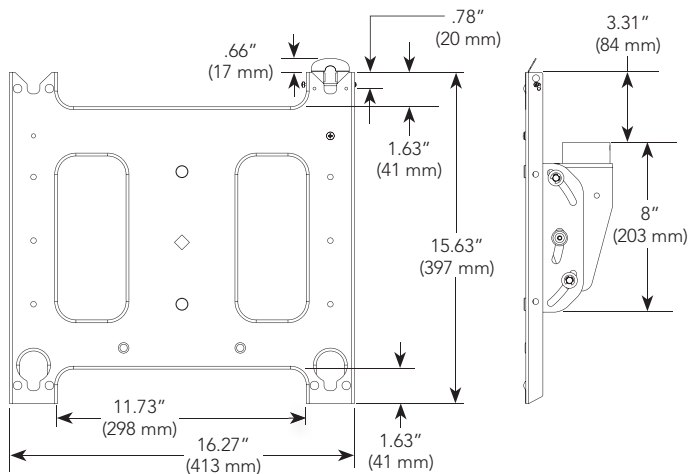


PCM™
42 - 71" Single Ceiling Mount with Angled Column



PDC™
42 - 71" Dual Ceiling Mount

TECHNICAL DRAWINGS



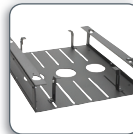
RECOMMENDED ACCESSORIES



CMA STRUCTURAL ADAPTERS



CMS EXTENSION COLUMNS



PAC251 ■ Universal Storage Accessory

For a complete list of flat panel mount accessories see page 83.