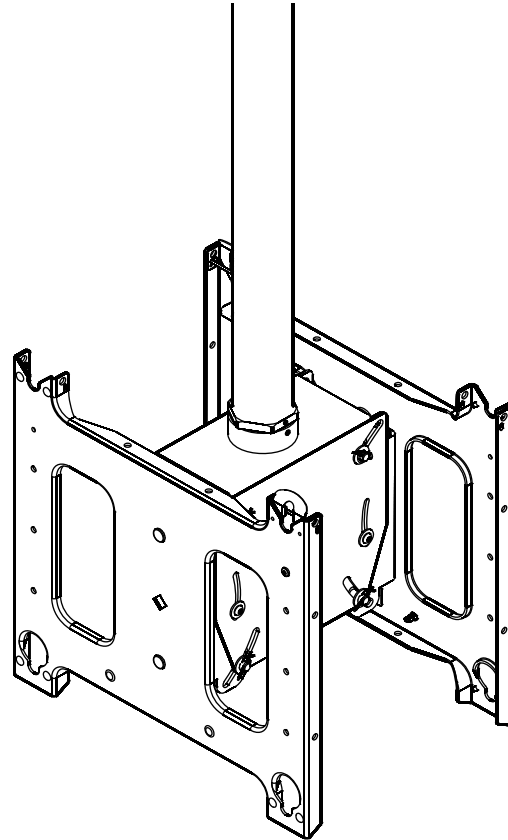

INSTALLATION INSTRUCTIONS



Plasma Dual Ceiling Mount

DISCLAIMER

Milestone AV Technologies, Inc., and its affiliated corporations and subsidiaries (collectively, "Milestone"), intend to make this manual accurate and complete. However, Milestone makes no claim that the information contained herein covers all details, conditions or variations, nor does it provide for every possible contingency in connection with the installation or use of this product. The information contained in this document is subject to change without notice or obligation of any kind. Milestone makes no representation of warranty, expressed or implied, regarding the information contained herein. Milestone assumes no responsibility for accuracy, completeness or sufficiency of the information contained in this document.



WARNING: Failure to read, thoroughly understand, and follow all instructions can result in serious personal injury, damage to equipment, or voiding of factory warranty! It is the installer's responsibility to make sure all components are properly assembled and installed using the instructions provided.



WARNING: Failure to provide adequate structural strength for this component can result in serious personal injury or damage to equipment! It is the installer's responsibility to make sure the structure to which this component is attached can support five times the combined weight of all equipment. Reinforce the structure as required before installing the component.



IMPORTANT WARNINGS AND CAUTIONS!



WARNING: A WARNING alerts you to the possibility of serious injury or death if you do not follow the instructions.



CAUTION: A CAUTION alerts you to the possibility of damage or destruction of equipment if you do not follow the corresponding instructions.



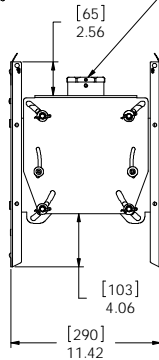
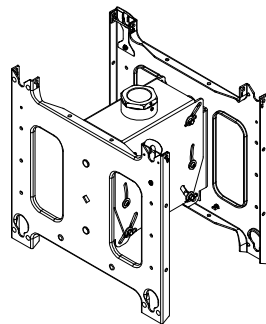
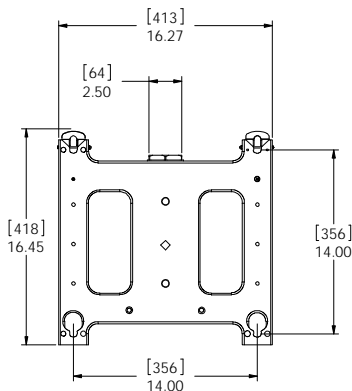
WARNING: Exceeding the weight capacity can result in serious personal injury or damage to equipment! It is the installer's responsibility to make sure the combined weight of all components located between the supporting structure and the PDC does not exceed 400 lbs (181.44 kg) [200 lbs (90.72 kg) each faceplate].

- The weight capacity of the PDC may be LIMITED to the lowest weight capacity of any other component located between the PDC and the supporting structure!

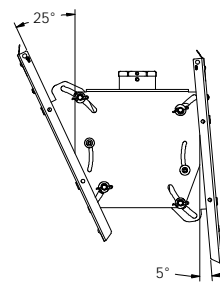
DIMENSIONS

NOTE: CUSTOM INTERFACE BRACKET NOT SHOWN. THE CUSTOM INTERFACE BRACKET NEEDED FOR YOUR DISPLAY WILL ADD BETWEEN 1/2" AND 2" IN DEPTH AND MAY AFFECT LOCATION OF DISPLAY ON THE MOUNT.

SEE PSBU DRAWING ALSO.



2" to 1-1/2" Reducer (NPT Threads)

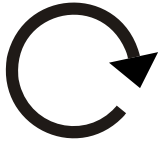
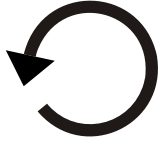












Product Features	
Weight Capacity	400 lbs 200 lbs per faceplate
Roll / Tilt / Yaw	±2.5° / +5°, -25° / 360°

ALL MEASUREMENTS ARE IN THE FOLLOWING FORMAT:

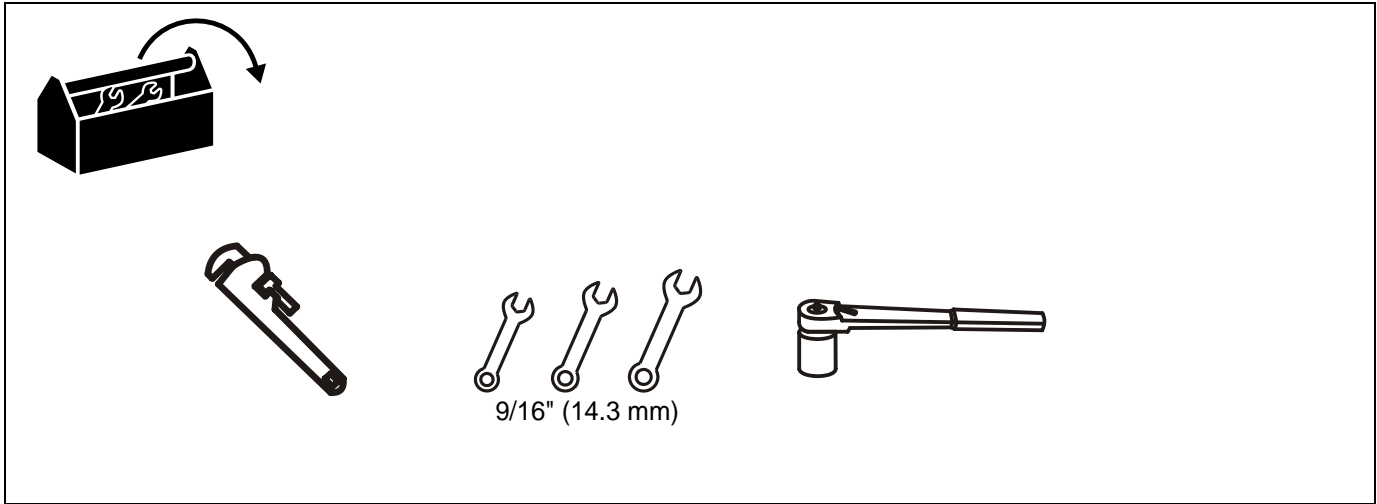
[MILLIMETERS]
INCHES

LEGEND

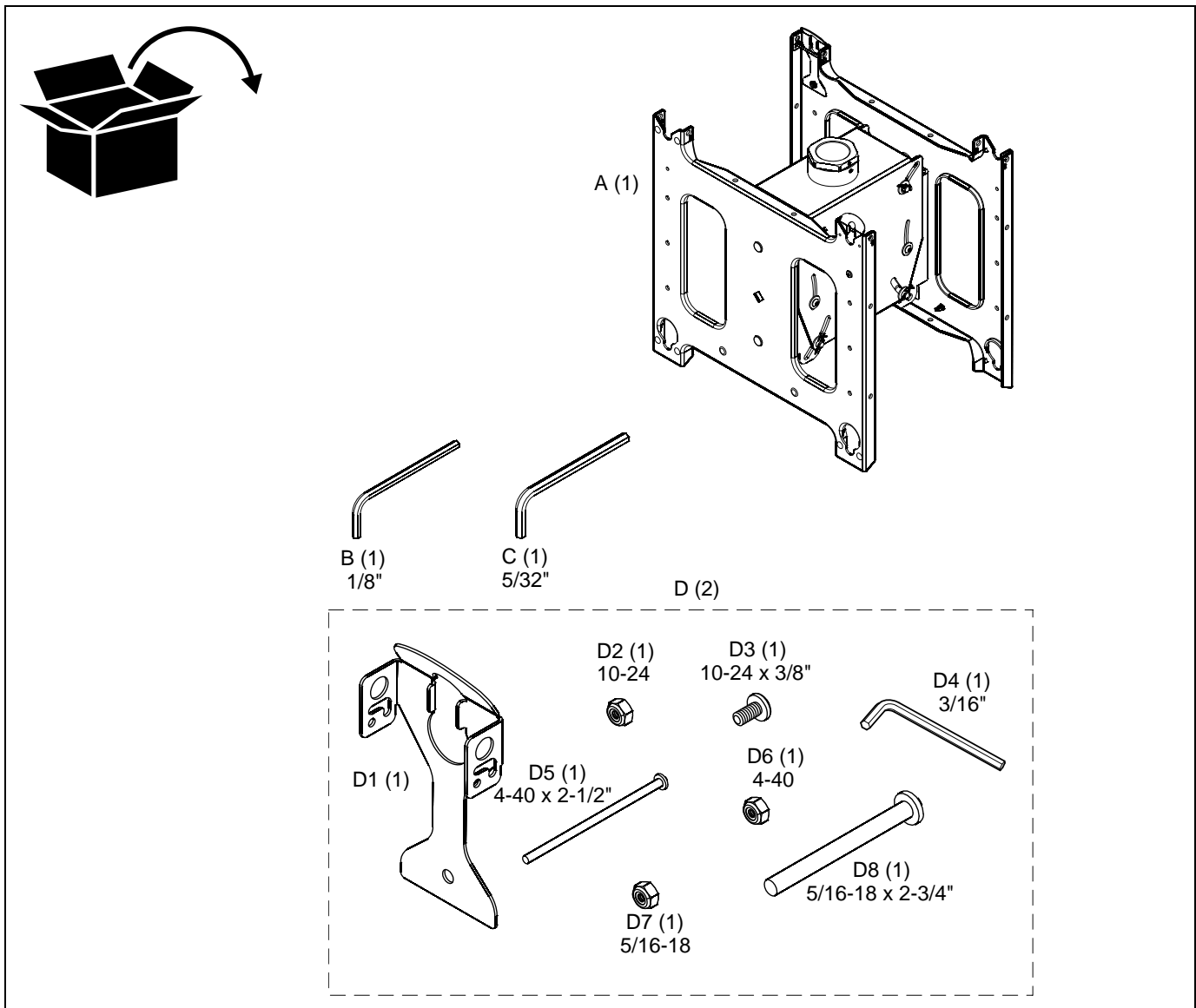
	Tighten Fastener
	Apretar elemento de fijación
	Befestigungsteil festziehen
	Apertar fixador
	Serrare il fissaggio
	Bevestiging vastdraaien
Serrez les fixations	
	Loosen Fastener
	Aflojar elemento de fijación
	Befestigungsteil lösen
	Desapertar fixador
	Allentare il fissaggio
	Bevestiging losdraaien
Desserrez les fixations	
	Phillips Screwdriver
	Destornillador Phillips
	Kreuzschlitzschraubendreher
	Chave de fendas Phillips
	Cacciavite a stella
	Kruiskopschroevendraaier
Tournevis à pointe cruciforme	
	Open-Ended Wrench
	Llave de boca
	Gabelschlüssel
	Chave de bocas
	Chiave a punte aperte
	Steeksleutel
Clé à fourche	
	By Hand
	A mano
	Von Hand
	Com a mão
	A mano
	Met de hand
À la main	
	Hex-Head Wrench
	Llave de cabeza hexagonal
	Sechskantschlüssel
	Chave de cabeça sextavada
	Chiave esagonale
	Zeskantsleutel
Clé à tête hexagonale	

	Pencil Mark
	Marcar con lápiz
	Stiftmarkierung
	Marcar com lápis
	Segno a matita
	Potloodmerkteken
Marquage au crayon	
	Drill Hole
	Perforar
	Bohrloch
	Fazer furo
	Praticare un foro
	Gat boren
Percez un trou	
	Adjust
	Ajustar
	Einstellen
	Ajustar
	Regolare
	Afstellen
Ajuster	
	Remove
	Quitar
	Entfernen
	Remover
	Rimuovere
	Verwijderen
Retirez	
	Optional
	Opcional
	Optional
	Opcional
	Opzionale
	Optie
En option	
	Security Wrench
	Llave de seguridad
	Sicherheitsschlüssel
	Chave de segurança
	Chiave di sicurezza
	Veiligheidssleutel
Clé de sécurité	

TOOLS REQUIRED FOR INSTALLATION



PARTS



INSTALLATION

Preparing for Installation

1. Attach click-lock flag kits (D) to PDC following instructions included with the kits.



WARNING: FAILURE TO PROVIDE ADEQUATE STRUCTURAL STRENGTH FOR THIS COMPONENT CAN RESULT IN SERIOUS PERSONAL INJURY OR DAMAGE TO EQUIPMENT! It is the installer's responsibility to make sure the structure to which this component is attached can support five times the combined weight of all equipment. Reinforce the structure as required before installing the component.

2. Determine if NPT pipe is 1-1/2" or 2".
 - If NPT pipe is 1-1/2", proceed to Step 3.
 - If NPT pipe is 2", loosen set screw and remove the 1-1/2" to 2" pipe coupler, then proceed to Step 3. (See Figure 1)

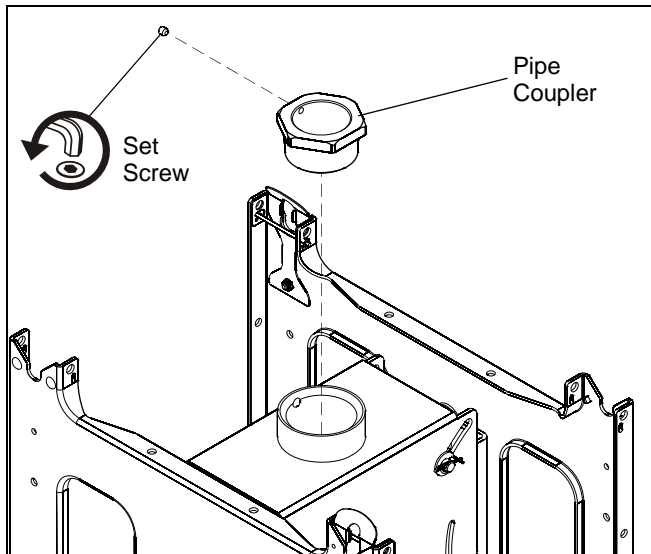


Figure 1

3. Thread the PDC (A) onto the NPT pipe extension and tighten set screw. (See Figure 2)

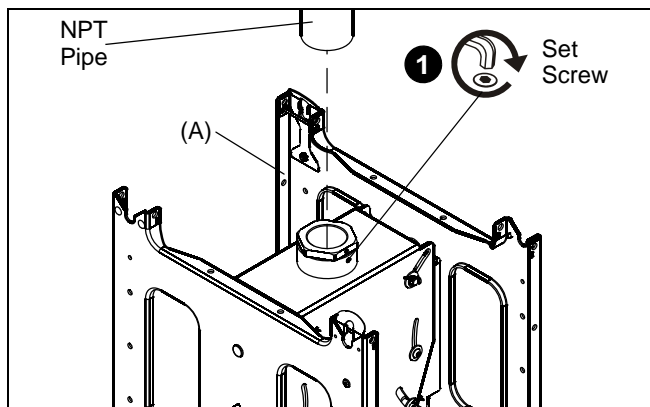


Figure 2

4. Attach interface brackets to back of displays following instructions included with the interface brackets.

Installing Displays on PDC



WARNING: EXCEEDING MAXIMUM WEIGHT CAPACITY CAN LEAD TO SERIOUS PERSONAL INJURY OR DAMAGE TO EQUIPMENT! It is the installer's responsibility to ensure the total amount of weight placed on the mount does not exceed 400 lbs (181.44 kg) [200 lbs (90.72 kg) each faceplate].



WARNING: DISPLAY MAY WEIGH IN EXCESS OF 40 LBS (18.14 KG)! Always use two people and proper lifting techniques when installing or positioning display.

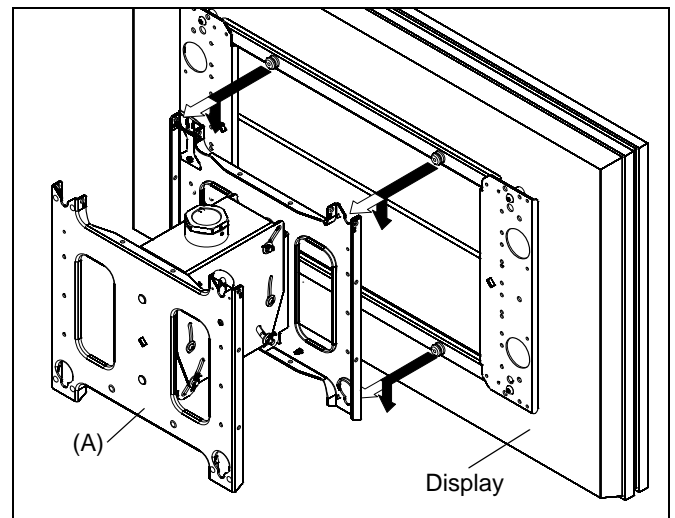


Figure 3

1. While supporting each side of display, align four mounting buttons on display or interface bracket with four slots on PDC. (See Figure 3)
2. Lower each display into place listening for audible "click" to ensure recessed area of mounting buttons are properly seated in lower area of mounting holes. (See Figure 4)

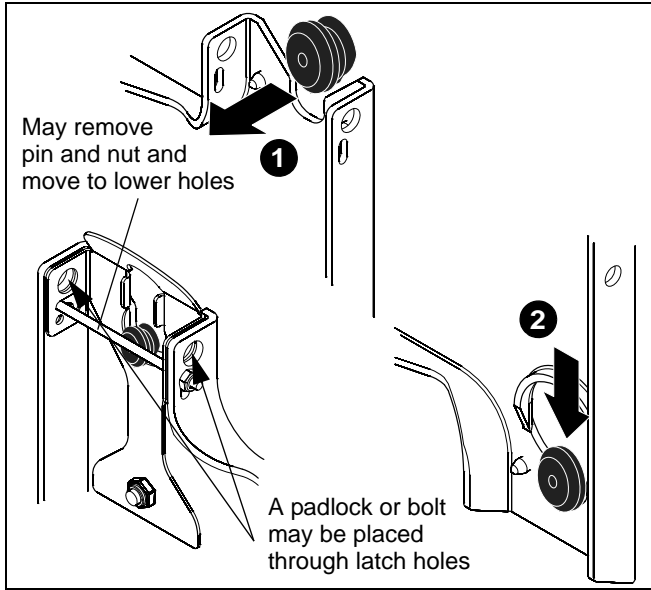


Figure 4

WARNING: IMPROPER INSTALLATION CAN LEAD TO DISPLAY FALLING CAUSING SERIOUS PERSONAL INJURY OR DAMAGE TO EQUIPMENT! Ensure mounting buttons are completely engaged in mounting holes.

NOTE: Holes are provided in the faceplate for use with a padlock or similar locking device, if desired. In addition, the pin and nut may be removed from the upper holes and moved to the lower holes for use as a more permanent locking device. (See Figure 4)

3. Connect and secure power, audio and video cables.

Removing Displays from PDC

1. Disconnect all power/audio/video cables.
2. Remove bolt or padlock from faceplate (if used). (See Figure 5)

NOTE: The pin may have been used as a more permanent locking device. If so, remove nut and pin and move from the lower holes to the upper holes.

3. Pull back on flag on upper mounting hole and press pin down into "Open" position. (See Figure 5)

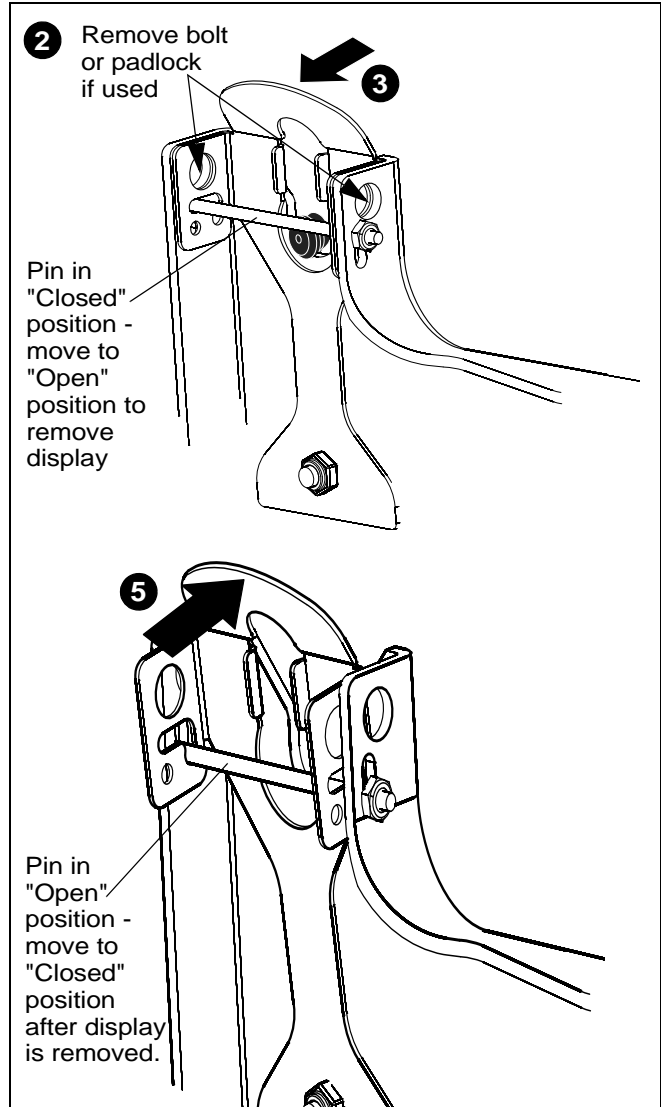


Figure 5

WARNING: EACH DISPLAY MAY WEIGH IN EXCESS OF 40 LBS EACH! Always use two people and proper lifting techniques when installing or positioning displays on PDC.

4. Carefully lift displays from PDC.
5. Lift up on pin and place flag back against faceplate to return it to "Closed" position. (See Figure 5)

Adjustments

Roll Adjustment

1. Loosen two Nylock nuts inside the PDC. (See Figure 6)
2. Using the slotted holes, adjust the roll, or horizontal movement.
3. Tighten two Nylock nuts.

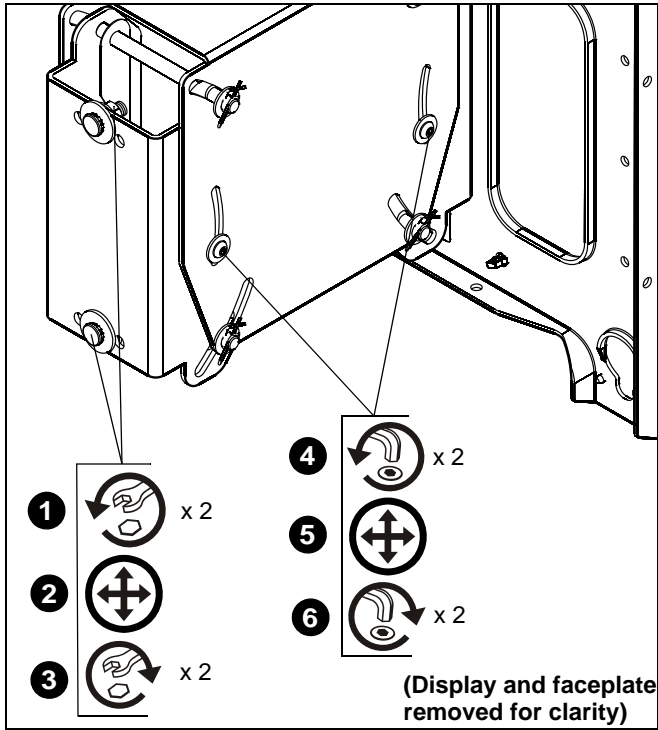


Figure 6

Pitch Adjustment

4. Loosen two screws on side of PDC. (See Figure 6)
5. Adjust to desired pitch, or vertical movement.
6. Tighten the screws on side of PDC.



8805-000115 Rev.D
©2008 Chief Manufacturing
www.chiefmfg.com
01/08

USA/International A 8401 Eagle Creek Parkway, Savage, MN 55378
P 800.582.6480 / 952.894.6280

F 877.894.6918 / 952.894.6918

Europe

A Fellenoord 130 5611 ZB EINDHOVEN, The Netherlands

P +31 (0)40 2668620

F +31 (0)40 2668615

Asia Pacific

A Room 24F, Block D, Lily YinDu International Building
LuoGang, BuJi Town, Shenzhen, CHINA.

深圳市布吉罗岗村百合银都国际大厦D栋24F

P +86-755-8996 9226

F +86-755-8996 9217

