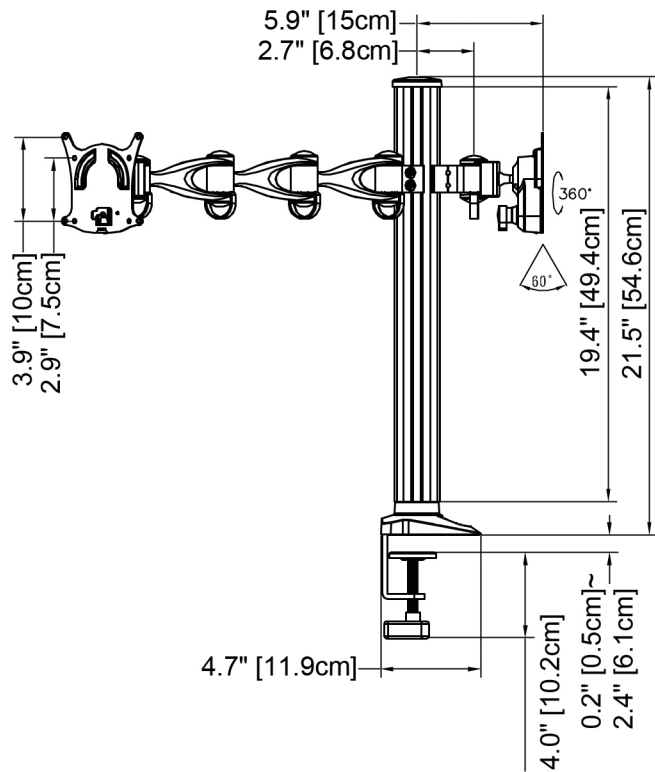
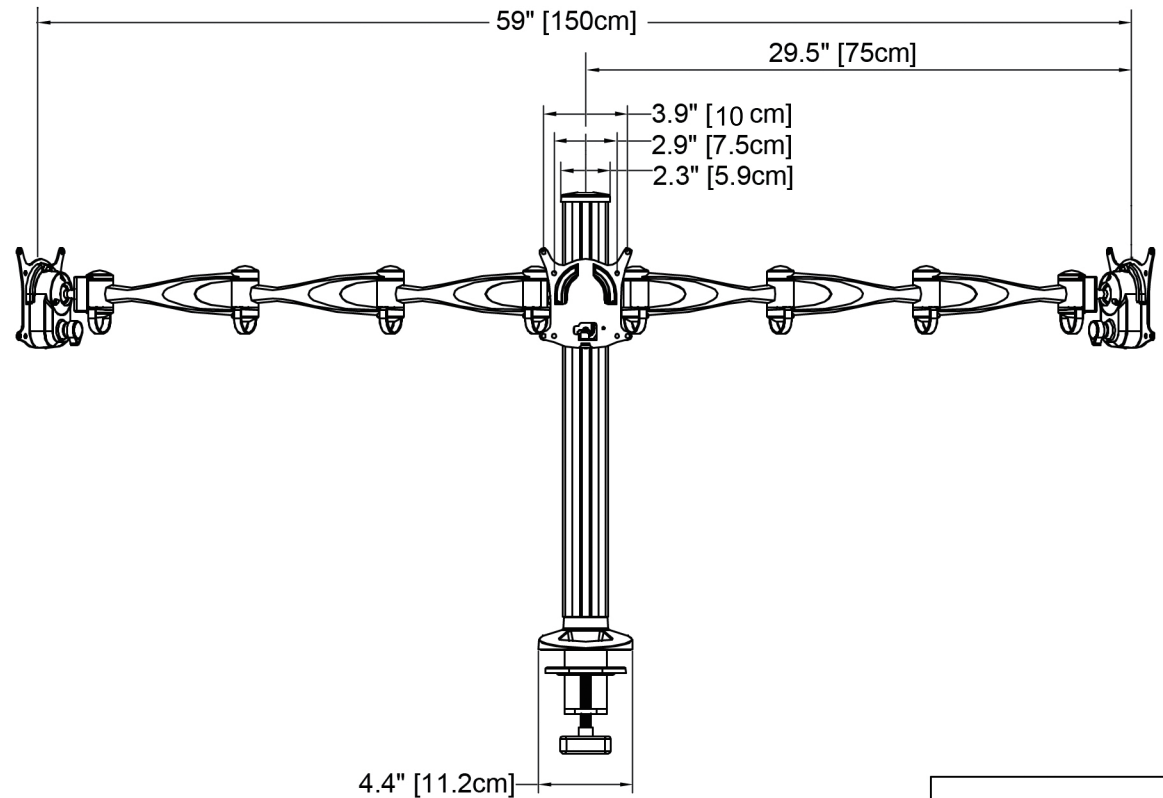
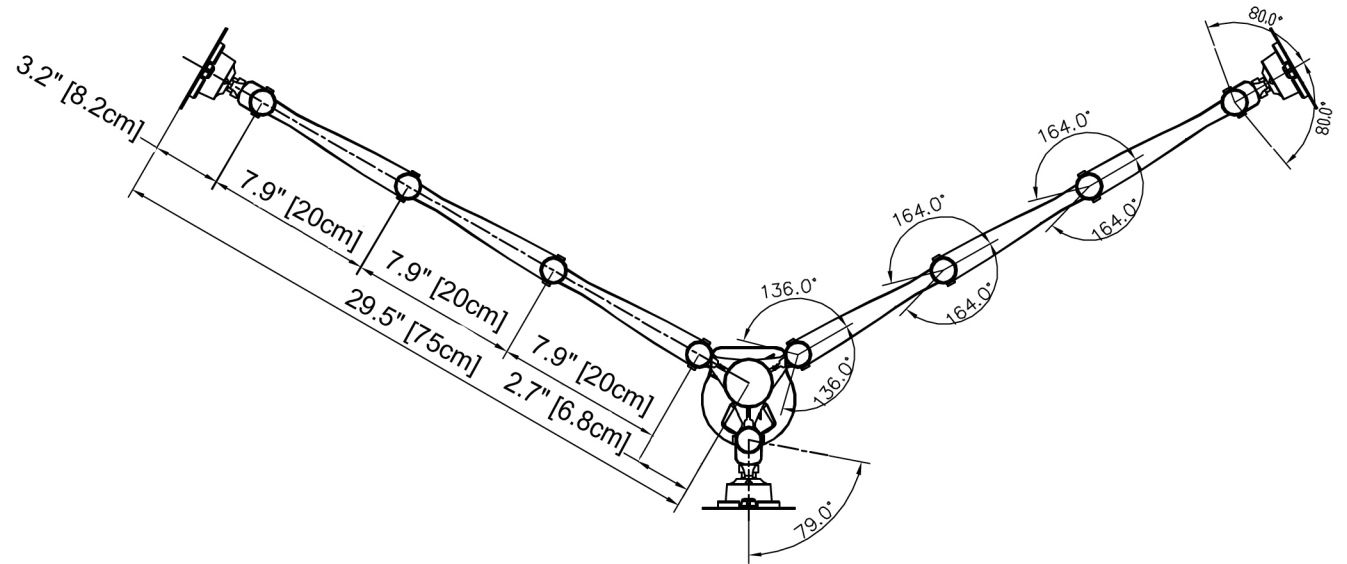


# DM-T1A3



Unit: inch[cm]