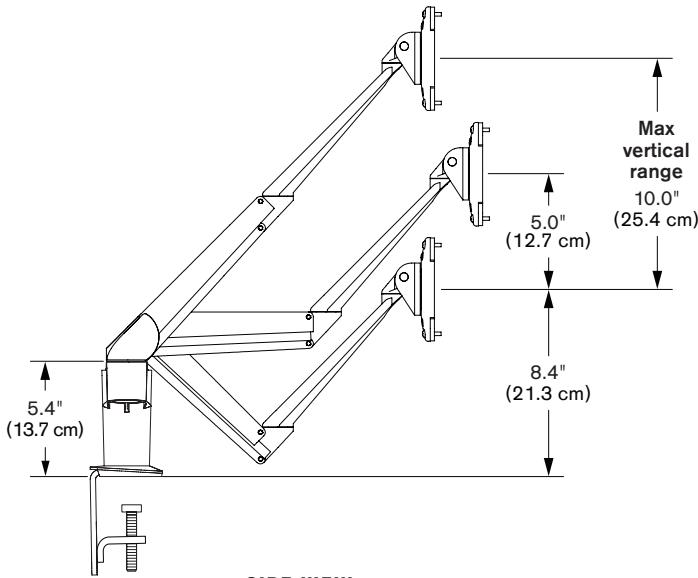
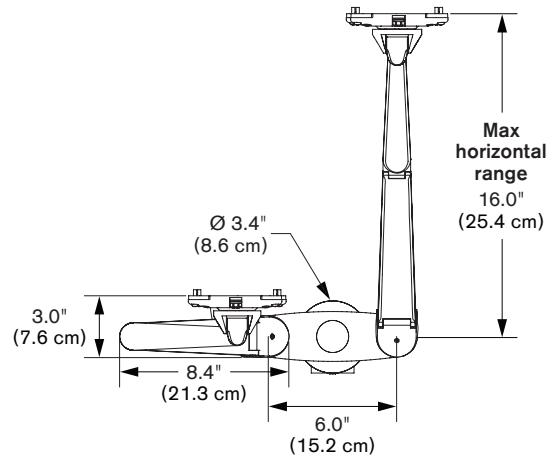


EVO[®] 5545-8408

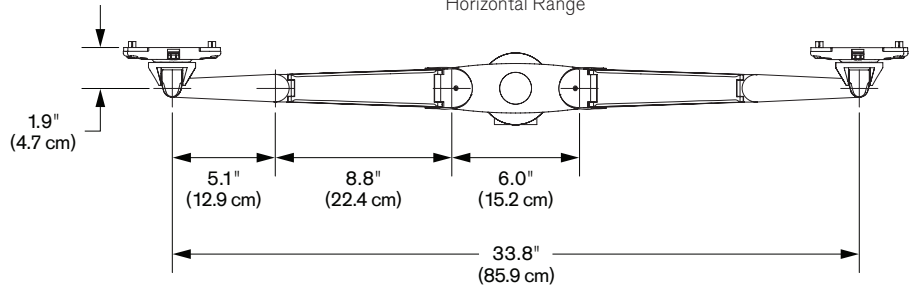
Specifications



SIDE VIEW
Vertical Range

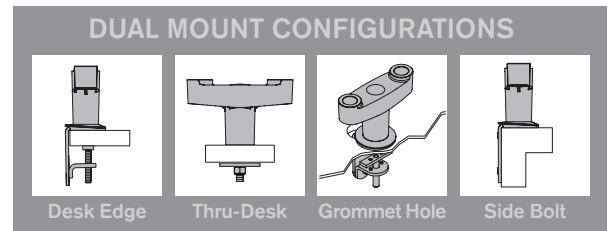


TOP VIEW
Horizontal Range



CAPABILITIES

- Vertical range** +/- 5.0" (12.7 cm) from horizontal
- Horizontal range** 16.0" (25.4 cm)
- Rotation** 360 degrees at three joints
- Monitor tilt** 185 degrees
- Monitor pivot** Landscape to portrait
- Monitor compatibility** VESA[®] 75mm and 100mm
- Cable management** Cables are clipped beneath arm
- Mounting options** Desk Edge, Grommet, Thru-Desk, Side Bolt
- Monitor weight/model number** 6 - 13 lbs (2.7 - 5.9 kg) / 5545-250-8408-QR
13 - 21 lbs (5.9 - 9.5 kg) / 5545-450-8408-QR



Phone: 800.524.2744 | Fax: 610.253.9521 | E-mail: sales@LCDarms.com | Web: www.LCDarms.com

This product is protected by one or more of the following U.S. Patent Nos. and other United States and foreign patents applied for: 119,345, 119,346, 1,324,842, 2,470,525, 6,076,785, 6,273,383, 6,409,134, 6,478,274, 6,499,704, 6,505,988, 6,609,691, 6,19,606, 6,719,253, 6,726,167, 6,736,364, 6,783,105, 6,854,698, 6,915,994, 6,935,883, 6,955,328, 6,983,917, 6,986,489, 7,014,157, 7,017,874, 7,048,242, 7,059,574, 7,063,296, 7,066,433, 7,066,435, 7,389,965, 7,665,699, D435,852, D491,952, D492,893, D570,853, D575,293. EVO[®] is a trademark of Innovative Office Products, Inc., registered in the U.S. Patent and Trademark Office.