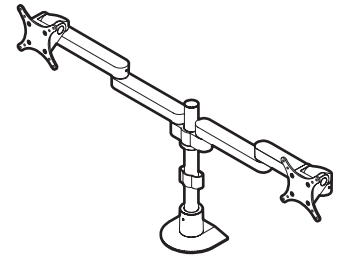


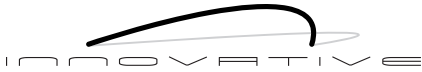
MODEL 9163

Installation Instructions




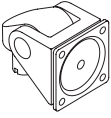
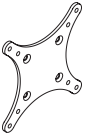

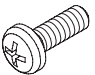
| | | | | | |
|--------------------------------------|--|---------------------------------|--|---|--|
| <p>1 POLE INTO FLEXMOUNT™</p> | | <p>POLE INTO SLATWALL MOUNT</p> | | <p>2</p> | |
| <p>3</p> | | <p>4</p> | | <p>5</p> | |
| <p>6</p> | | <p>7</p> | | <p>?</p> <p>800.524.2744 www.LCDarms.com</p> | |

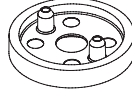

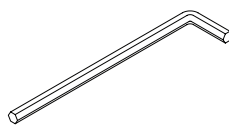
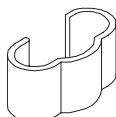
*Some monitors may require a spacer hardware kit. See page 2 for details.



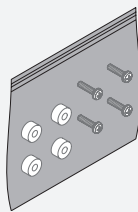
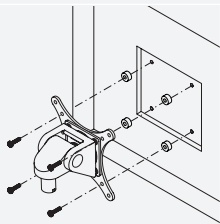
MODEL 9163

Parts List

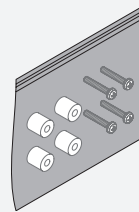
| ITEM | DESCRIPTION / PART NO. | QUANTITY |
|------|---|----------|
| A |  3/32" Allen Wrench 700146 | 1 |
| B |  Monitor Tilter 405397 | 1 |
| C |  75/100mm VESA® Adapter Plate 105587 | 1 |
| D |  10-32 x 3/8" Phillips Flat Head Screw 1 702281 (4 pack) | 1 |
| E |  M4 x 12mm Phillips Pan Head Screw 1 702096 (4 pack) | 1 |

| ITEM | DESCRIPTION / PART NO. | QUANTITY |
|------|---|----------|
| F |  Dog Washer 105189 | 1 |
| G |  10-32 x 3/8" FPhMS w/Lock Patch 705198 | 1 |
| H |  7/32" Allen Wrench 701127 | 1 |
| I |  Cable Clip 702506 (Black) 702591 (Silver) | 1 |

OPTIONAL SPACER KITS In some cases, the mounting surface on your monitor may be recessed further than permitted by VESA® standards. As a result, a spacer kit may be required.



.25" Spacer Hardware Kit
 (4) .25" Spacers
 (4) M4 x 18mm Phillips Pan Head Screws
 Order # P404923-B



.5" Spacer Hardware Kit
 (4) .5" Spacers
 (4) M4 x 25mm Phillips Pan Head Screws
 Order # P404923-C