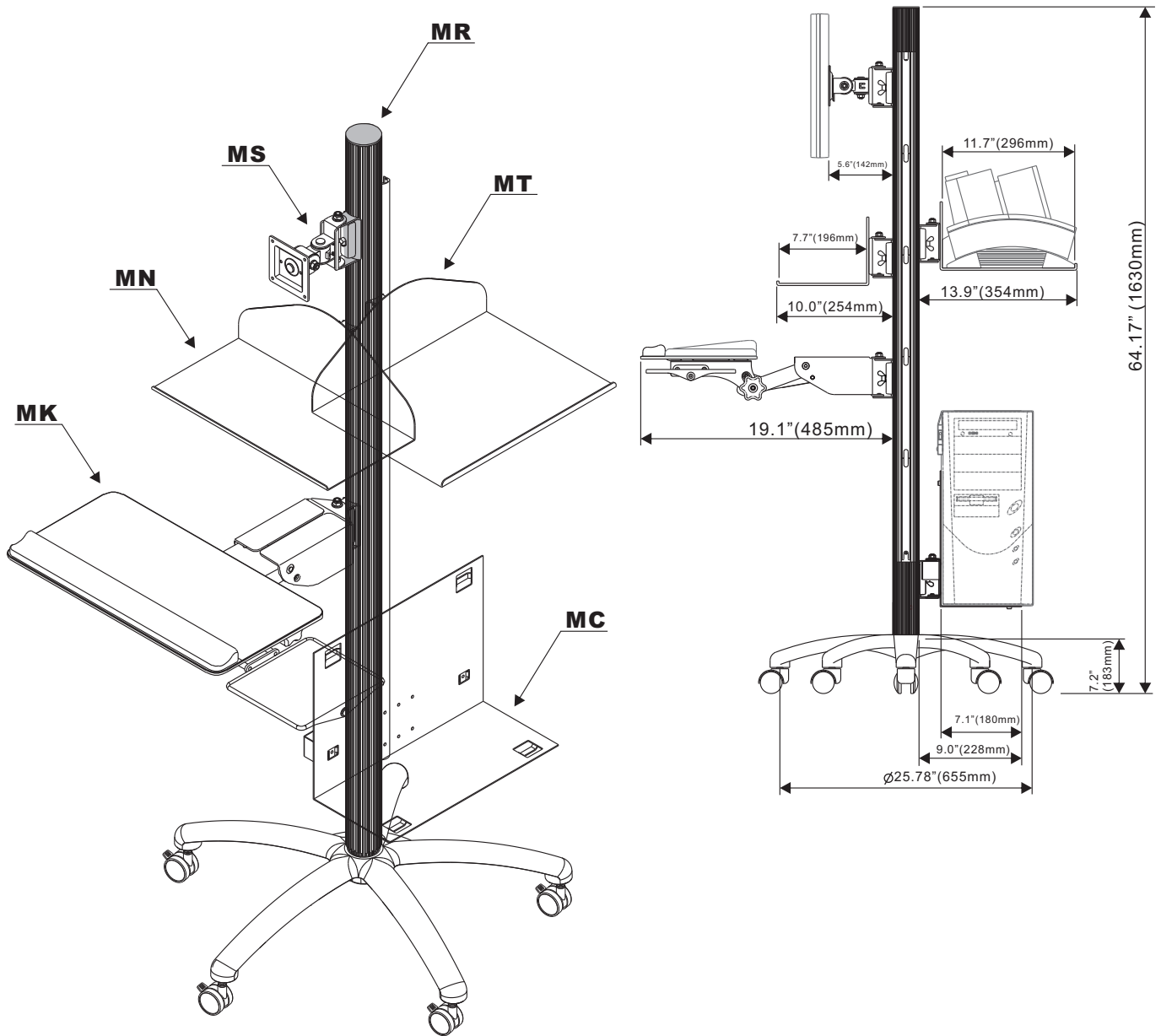


Instruction Sheet
Model LSCW60



Customer Service Dept.
2245 Delany Rd.
Waukegan, IL 60087
PH:847/244-1800 • 800/323-4656
Fax:847/244-1818 • 800/327-1698

Main Dimensions & Specs:








Unit:inch(mm)

Instruction Sheet
Model LSCW60 (part MR)



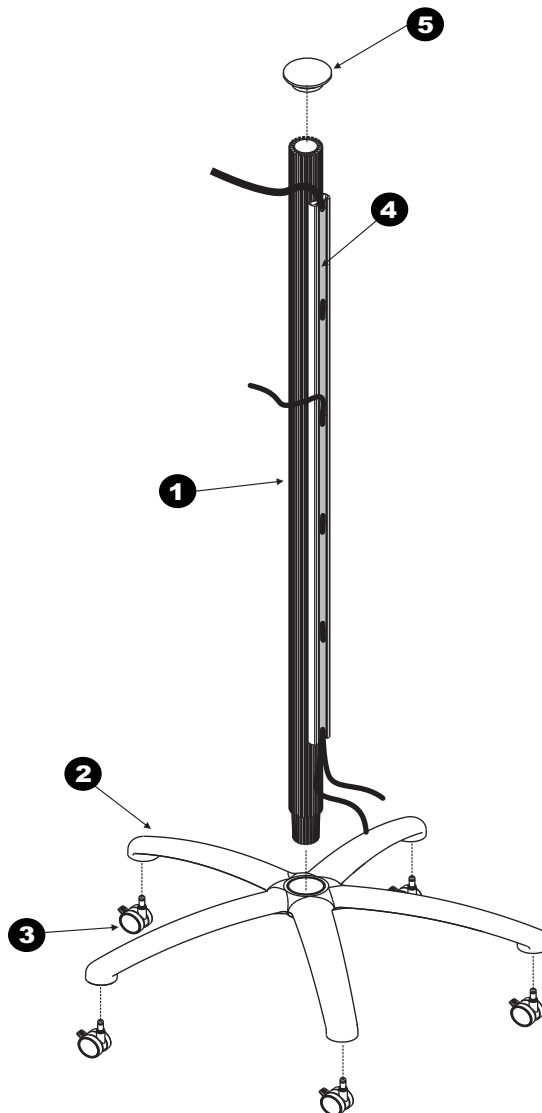
Customer Service Dept.
2245 Delany Rd.
Waukegan, IL 60087
PH:847/244-1800 • 800/323-4656
Fax:847/244-1818 • 800/327-1698

Parts List

ITEM	1	2	3	4	5
PARTS					
QTY	1	1	5	5	1

How to install "MR"

Insert cables through conduit
and then attach the cover.



Instruction Sheet
Model LSCW60 (part MC)



Customer Service Dept.
2245 Delany Rd.
Waukegan, IL 60087
PH:847/244-1800 • 800/323-4656
Fax:847/244-1818 • 800/327-1698

Parts List

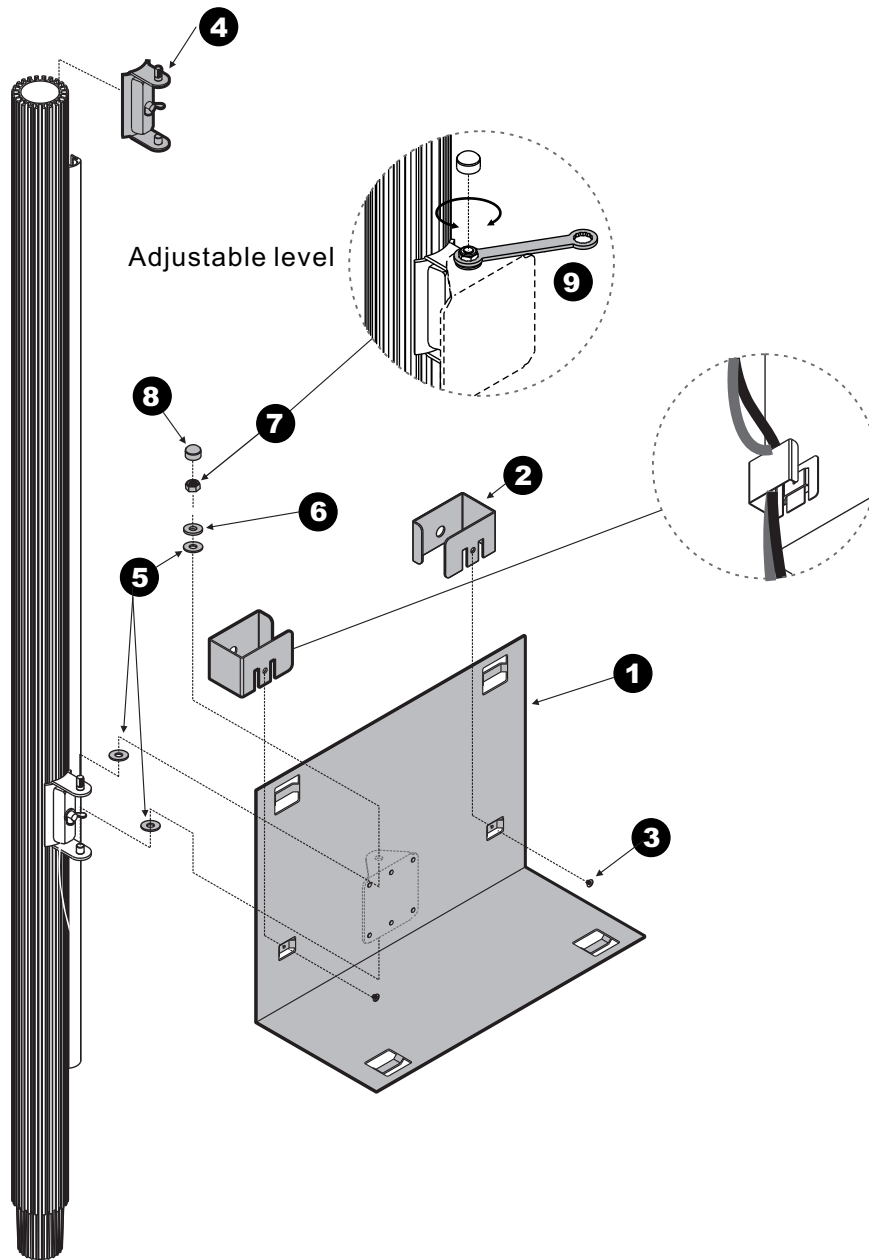
MAIN PARTS

ITEM	1	2	3	4	5	6	7	8
PART								
QTY	1	2	2	1	3	1	1	1

TOOLS

ITEM	9
PART	
QTY	1

How to install "MC"



Instruction Sheet Model LSCW60 (part MS)



Customer Service Dept.
2245 Delany Rd.
Waukegan, IL 60087
PH:847/244-1800 • 800/323-4656
Fax:847/244-1818 • 800/327-1698

Parts List

MAIN PARTS

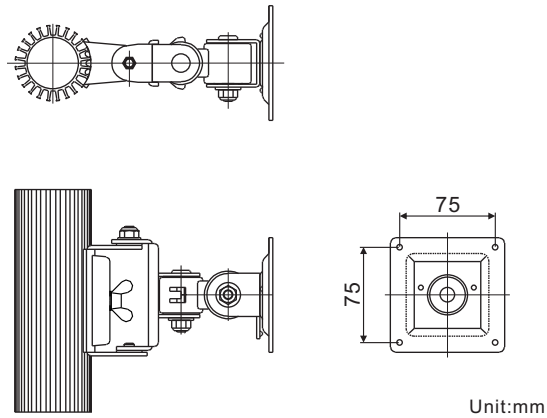
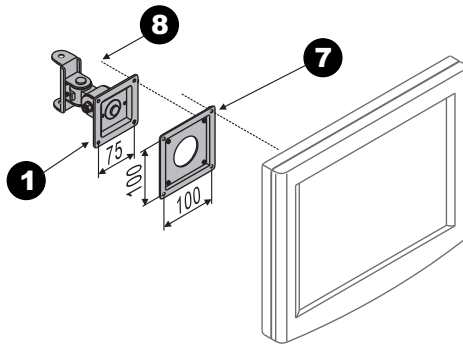
ITEM	1	2	3	4	5	6
PART						
QTY	1	1	3	1	1	2

PARTS FOR MONITOR BRACKETS

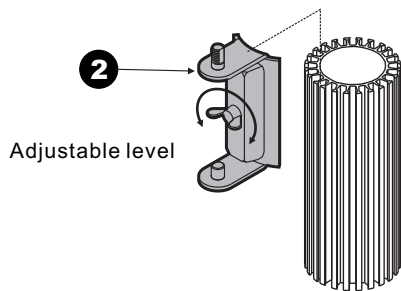
ITEM	7	8	9
PART			
QTY	1	8	1

How to install "MS"

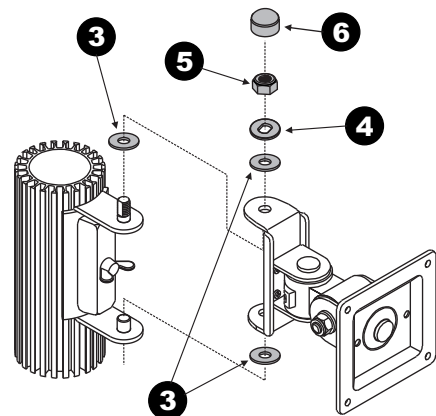
- I. *Includes VESA standards:
75x75 mm and/or 100x100 mm
hole pattern bracket.



- II. Loosen the wing nut

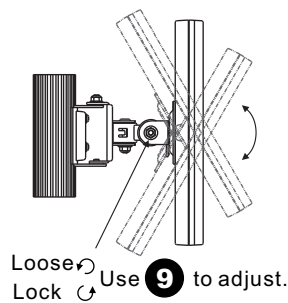


- III.

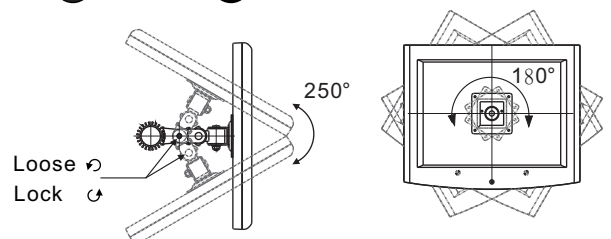


MS Features:

- Pivot upwards & downwards: 90°.
- Swivel left & right: 250°.
- LCD monitor swivel: 180°.



Use 9 to adjust & 5 Nut.



Instruction Sheet Model LSCW60 (part MK)



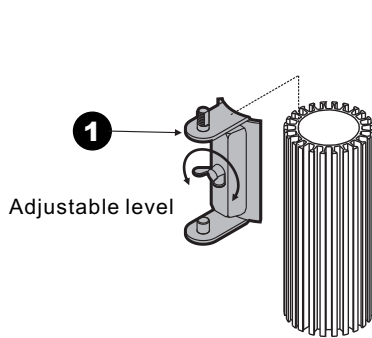
Customer Service Dept.
2245 Delany Rd.
Waukegan, IL 60087
PH:847/244-1800 • 800/323-4656
Fax:847/244-1818 • 800/327-1698

Parts List

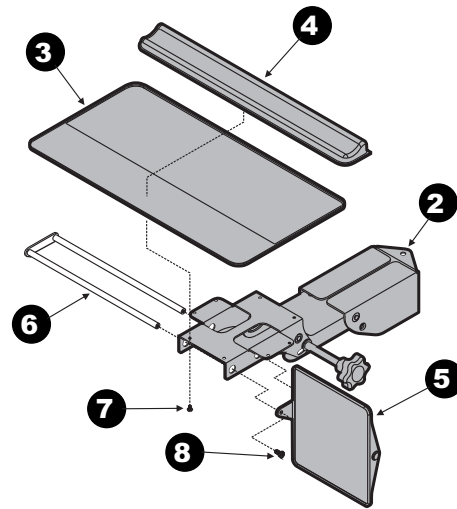
MAIN PARTS												TOOLS			
ITEM	1	2	3	4	5	6	7	8	9	10	11	12	ITEM	13	14
PART													PART		
QTY	1	1	1	1	1	1	6	2	3	1	1	1	QTY	1	1

How to install "MK"

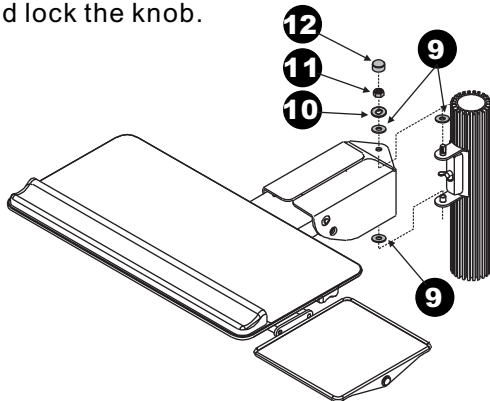
I. Loosen the wing nut.



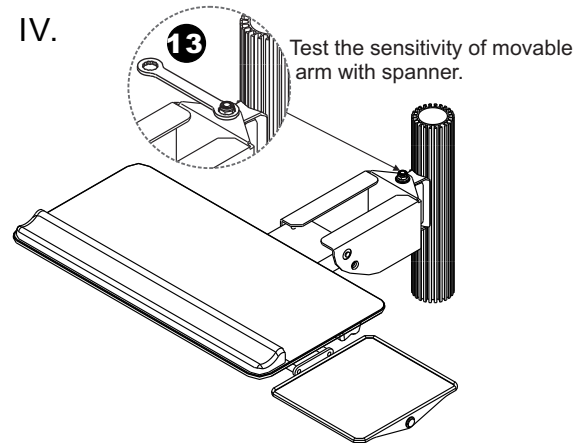
II. Select height and then set it using the knob.



III. Easily adjust the tilt of the platform, and lock the knob.

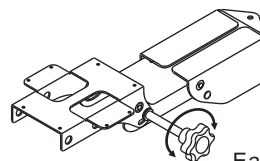


IV.



MK Features:

- Base swivel: 150°.
- Max height adjustment: 145mm.
- Platform tilt adjustment range: +10° to -20°.
- Mouse pad rotation: 360°.
- Mouse pad position: left & right side.



Easy position adjustment.

Instruction Sheet
 Model LSCW60 (part MT/MN)



Customer Service Dept.
 2245 Delany Rd.
 Waukegan, IL 60087
 PH:847/244-1800 • 800/323-4656
 Fax:847/244-1818 • 800/327-1698

Parts List

MAIN PARTS

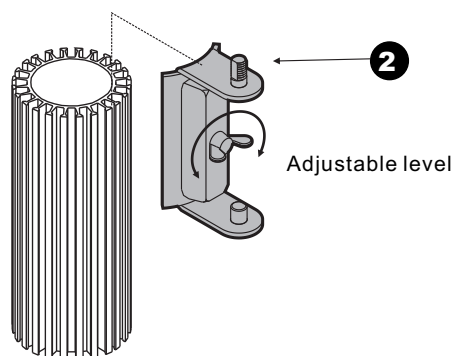
ITEM	1	2	3	4	5	6
PART						
QTY	1	1	3	1	1	1

TOOLS

ITEM	7
PART	
QTY	1

How to install "MT/MN"

I. Loosen the wing nut.



II.

