

Presentation Stations



PS3945
24"W x 31"D x 39"-45"H

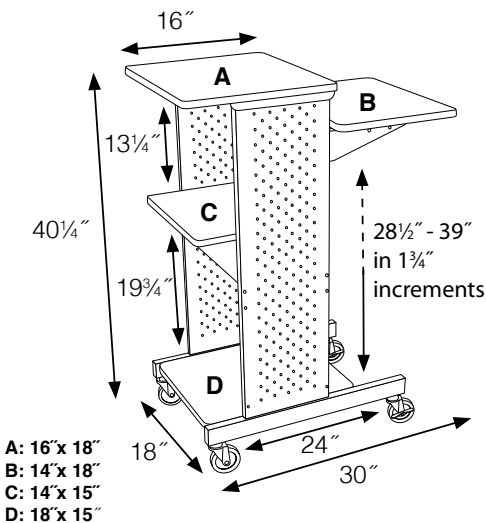
Features:

- Adjusts in height from 39" to 45" in height
- Top shelf is 24"W x 18"D
- Middle shelf is 24"W x 14"D
- Bottom shelf is 18 $\frac{3}{4}$ "W x 15 $\frac{3}{4}$ "D
- Perfect for desktop or laptop computer
- Dark gray wood laminate work surfaces
- Black powder coat painted steel frame
- 3" casters, two with locking brake

PS4000 & PS4000C Features:

- Four laminate work surfaces with steel frame
- Second shelf from the top is adjustable in height to 33", 37" or 40 $\frac{1}{4}$ "
- Clearance from bottom to middle shelf is 19 $\frac{3}{4}$ ", middle to top shelf 13 $\frac{1}{4}$ "
- 3" Casters, two with locking brake
- PS4000C includes locking cabinet with interior dimensions of 13 $\frac{1}{2}$ "W x 18 $\frac{3}{8}$ "H

All New!



PS4000
18"W x 30"D x 40 $\frac{1}{4}$ "H



PS4000C
18"W x 30"D x 40 $\frac{1}{4}$ "H