

FPZ-646

Flat Panel Stand for 32" to 46" Flat Panel Screens

For a viewing experience that really stands out, Peerless' FPZ-646 Universal Flat Panel Stand for 32" – 46" flat panel TVs provides a brilliant combination of style and substance. With a modern design, high gloss black finish and a smoked glass shelf, this stand looks great anywhere. With 360° of swivel and easy screen height adjustment, getting the perfect viewing angle is effortless. The adjustable smoked glass shelf ensures easy centralization of components and accessories. Complete with a universal adapter plate to fit virtually any screen, and cable management system that keeps cables neatly organized. Plus, it holds up to 100lb. Style and substance in one easy to assemble flat panel stand, only from Peerless.



FEATURES

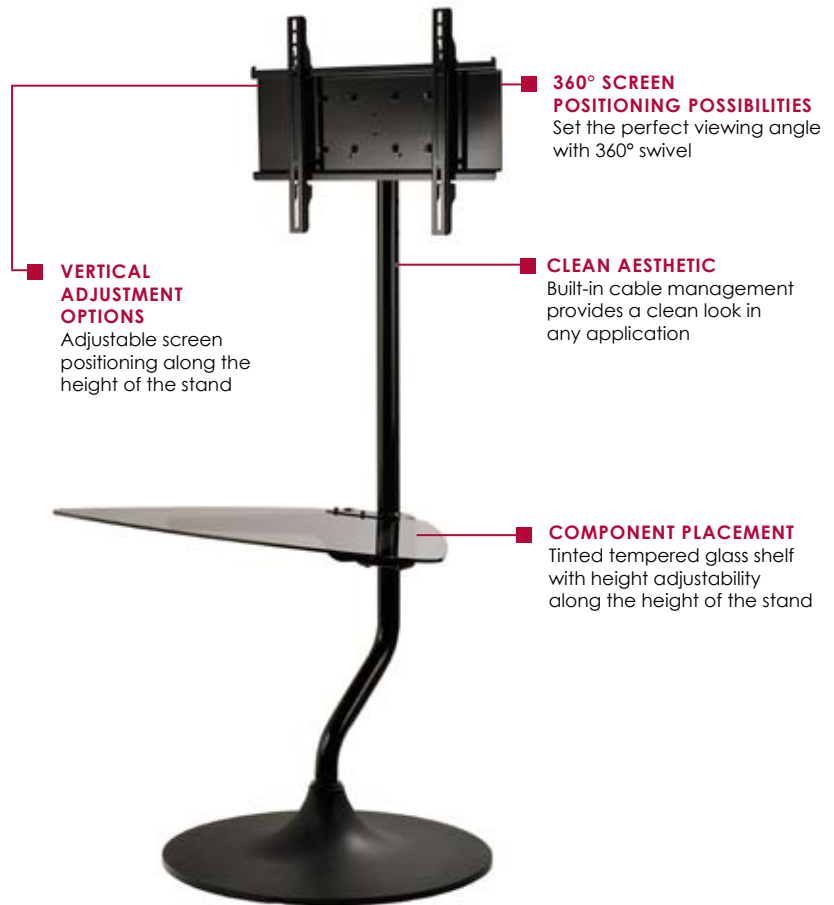
- Universal adapter plate
- 8" of screen height adjustability
- 11-1/2" of shelf height adjustability
- Tinted tempered glass shelf
- 360° of swivel
- High-gloss black finish
- Sorted-For-You™ with security hardware for screen attachment



Screen size: 32" - 46"



Max load: 100lb (45kg)



Cable management



Height adjustable shelf



Cosmetic covers for a clean look

FPZ-646 Flat Panel Stand for 32" to 46" Flat Panel Screens

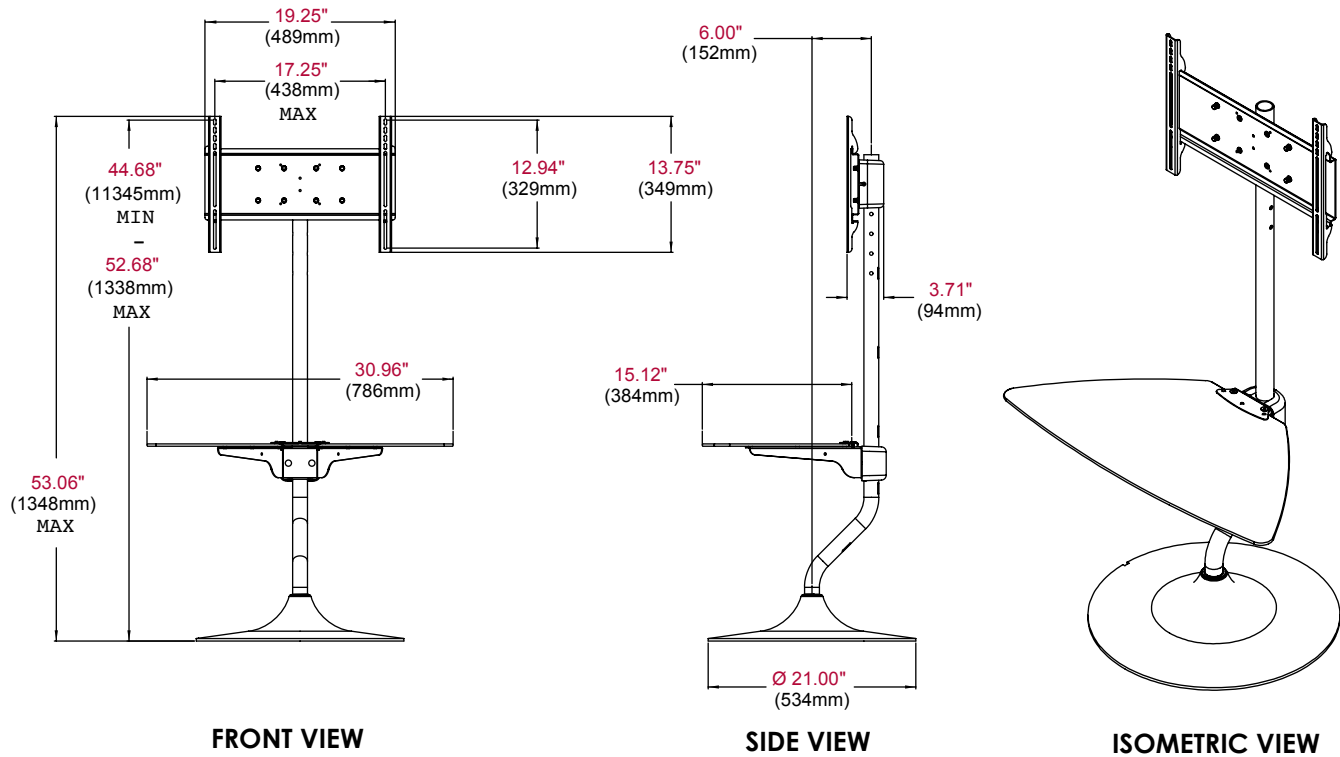
Product Specifications

	DIMENSIONS (W x H x D)	PRODUCT WEIGHT	LOAD CAPACITY	FINISH	AVAILABLE COLORS
FPZ-646	30.8" x 53.0" x 21.0" (782 x 1346 x 533mm)	32.0lb (14.5kg)	100lb (45kg)	Powder coat	Gloss black

Package Specifications

	PACKAGE SIZE (W x H x D)	PACKAGE SHIP WEIGHT	PACKAGE UPC CODE	PACKAGE CONTENTS	UNITS IN PACKAGE
FPZ-646	42.5" x 22.75" x 7.5" (1079 x 578 x 190mm)	37lb (16.8kg)	735029276029	Base, support tube, tempered glass shelf, universal adapter plate, cosmetic covers and mounting hardware	1

All dimensions = inch (mm)



ARCHITECTS SPECIFICATIONS

The Flat Panel Stand shall be Peerless model FPZ-646 shall be located where indicated on the plans. It shall be constructed of heavy gauge steel. The finish shall be scratch resistant black fused epoxy. Assembly and installation shall be done according to instructions provided by the manufacturer.