

SS560M  
SS560G

## Floor Stand for 32" to 65" Flat Panel Displays

The Floor Stand is designed to provide ideal display viewing position, centralize audio video components and match the décor of any environment. The full line of accessories enables each stand to be fully tailored to meet specific requirements; whether video conferencing from a boardroom or presenting on a trade show floor. And the internal cable management hides all the AV cabling, providing a clean, clutter-free look.



### FEATURES

- Continuous vertical adjustment for perfect viewing height
- Incremental tilt of  $-2^{\circ}$ ,  $0^{\circ}$  and  $+5^{\circ}$  locks in the ideal viewing angle
- Adjustable metal or tempered glass shelf holds AV components and accessories
- Internal cable management for clean, clutter free appearance
- Adjustable feet to help compensate for uneven floor surfaces



Display size: 32" - 65"



Max load: 250lb (113kg)  
Display: 200lb (74kg)  
Shelf: 50lb (22kg)



SS560M



Internal cable management



## Model Numbers

**WARRANTY:** Limited 5-year

<b>SS560M</b>	Floor Stand with metal shelf for 32" to 65" Flat Panel Displays
<b>SS560G</b>	Floor Stand with tempered glass shelf for 32" to 65" Flat Panel Displays

## Product Specifications

	DIMENSIONS (W x H x D)	PRODUCT WEIGHT	LOAD CAPACITY	FINISH	AVAILABLE COLORS
<b>SS560M/SS560G</b>	40.00" x 59.84" x 27.45" (864 x 1520 x 697mm)	SS560M: 74lb (33.6kg) SS560G: 72lb (32.6kg)	200lb display (74kg) 50lb per shelf (22.6kg)	Power coat	Black

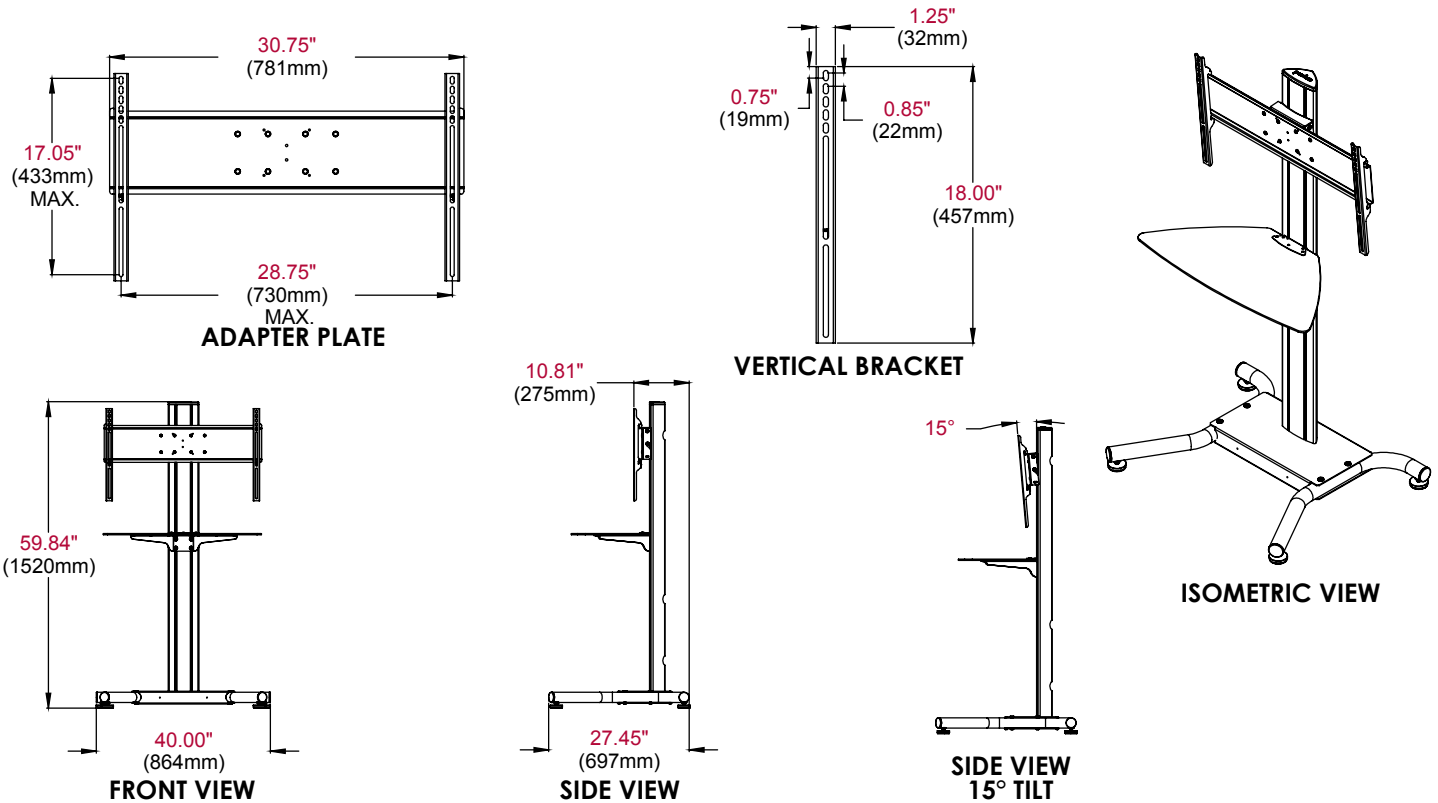
## Package Specifications

	PACKAGE SIZE (W x H x D)	PACKAGE SHIP WEIGHT	PACKAGE UPC CODE	PACKAGE CONTENTS	UNITS IN PACKAGE
<b>SS560M/SS560G</b>	57.7" x 19.2" x 7.7" (1466 x 488 x 196mm)	SS560M: 87.3lb (40.2kg) SS560G: 88.8lb (40.2kg)	SS560M: 735029277330 SS560G: 735029277347	Stand, metal or tempered glass shelf, optional universal adapter plate, assembly and screen attachment hardware	1

## Accessories

<b>ACC313:</b> Metal Shelf	<b>ACC316:</b> Safety Belt	<b>ACC319:</b> Video Conferencing Shelf
<b>ACC314:</b> Laptop Arm	<b>ACC318:</b> Tempered Glass Shelf	<b>ACC320:</b> 20' Electrical Cord Wrap
<b>ACC315:</b> Base Shelf		

All dimensions = inch (mm)



## ARCHITECTS SPECIFICATIONS

The Floor Stand shall be a Peerless-AV model SS560M/G and shall be installed where indicated on the plans. It shall be constructed of heavy gauge cold rolled steel and finished with power coat black or silver. Assembly and installation shall be done according to instructions provided by the manufacturer.

Peerless Industries, Inc. ■ 2300 White Oak Circle ■ Aurora, IL 60502 ■ (800) 865-2112 ■ (630) 375-5100 ■ Fax: (800) 359-6500 ■ [www.peerless-av.com](http://www.peerless-av.com)

Visit [www.peerless-av.com](http://www.peerless-av.com) to see the complete line of AV solutions from Peerless-AV, including flat panel mounts, projector mounts, carts/stands, furniture, cables, screen cleaners and a full assortment of accessories.