

INSTALLATION MANUAL



PSD-EB Elliptical Floor Stand Series

Premier Mounts
3130 E. Miraloma Avenue
Anaheim, CA 92806

Phone: (800) 368-9700
mounts@mounts.com

Fax: (800) 832-4888
www.mounts.com





Table of Contents

WARRANTY	- 2 -
CONTACT PREMIER MOUNTS	- 2 -
WARNING STATEMENTS	- 3 -
PARTS LIST	- 4 -
INSTALLATION TOOLS	- 4 -
PSD-EB ASSEMBLY OVERVIEW	- 5 -
SUPPORT TUBE INSTALLATION	- 6 -
INSTALLING THE BACKPLATE TO THE ADAPTER	- 7 -
INSTALLING THE PLASMA TO THE STAND	- 8 -
TECHNICAL SPECIFICATIONS	- 9 -
OPTIONAL ACCESSORIES	- 10 -
NOTES	- 10 -

Warranty

Limited Lifetime Warranty

All Premier Mounts products carry a limited lifetime warranty from ship date against defects in materials and workmanship. Premier Mounts is not liable for improper installation that results in damage to mounts, adapters, display equipment or personal injury.

Contact Premier Mounts

In the event of missing and/or damage equipment, or technical questions, the following information can help in the completion of the installation.

Customer Service – (800) 368-9700

Technical Support – techsupport@mounts.com



Warning Statements

WARNING: THE FLOOR STRUCTURE MUST BE CAPABLE OF SUPPORTING AT LEAST 200 LBS. IF NOT, THE FLOOR STRUCTURE MUST BE REINFORCED. PROPER INSTALLATION PROCEDURE BY A QUALIFIED SERVICE TECHNICIAN, AS OUTLINED IN THE INSTALLATION INSTRUCTIONS, MUST BE ADHERED TO. FAILURE TO DO SO COULD RESULT IN SERIOUS PERSONAL INJURY, OR EVEN DEATH.

WARNING: SAFETY MEASURES MUST BE PRACTICED AT ALL TIMES DURING THE ASSEMBLY OF THIS PRODUCT. USE PROPER SAFETY GEAR AND TOOLS FOR THE ASSEMBLY PROCEDURE TO PREVENT PERSONAL INJURY.

WARNING: PRIOR TO THE INSTALLATION OF THIS PRODUCT, THE ASSEMBLY INSTRUCTIONS SHOULD BE READ AND COMPLETELY UNDERSTOOD. THE ASSEMBLY INSTRUCTIONS MUST BE READ TO PREVENT PERSONAL INJURY AND PROPERTY DAMAGE. KEEP THESE ASSEMBLY INSTRUCTIONS IN AN EASILY ACCESSIBLE LOCATION FOR FUTURE REFERENCE.



Indicates that the power plug is to be disconnected from the power outlet.



Contact Premier Mounts with any questions.



Safety precautions must be taken at all times.



Warning and Caution statements.



Do not install on a structure that is prone to vibration, movement or chance of impact. Failure to do so could result in damage to the plasma display and/or damage to the mounting surface.



Do not install near heater, fireplace, direct sunlight, air conditioning or any other source of direct heat energy. Failure to do so may result in damage to the display and could increase the risk of fire.

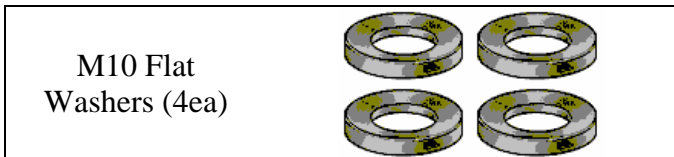
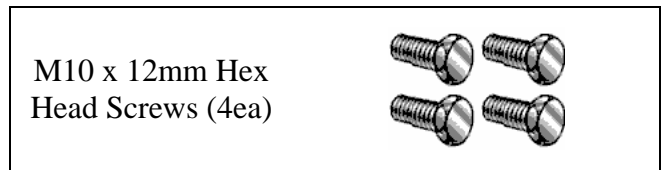
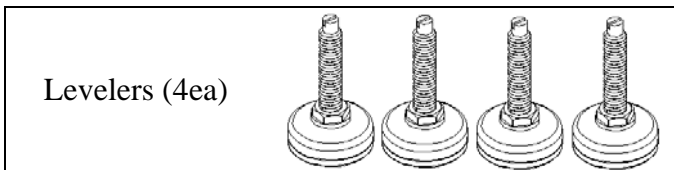
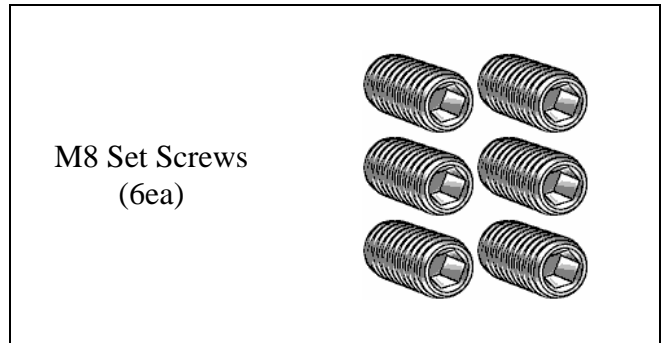
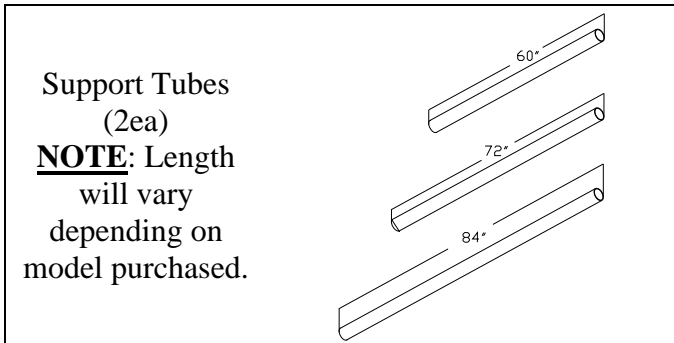
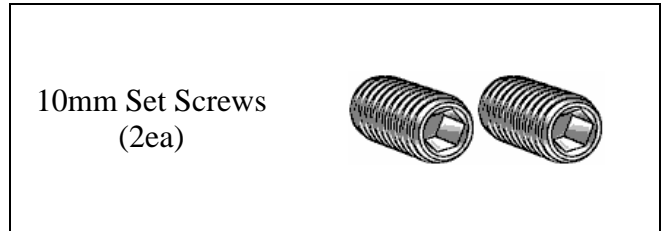
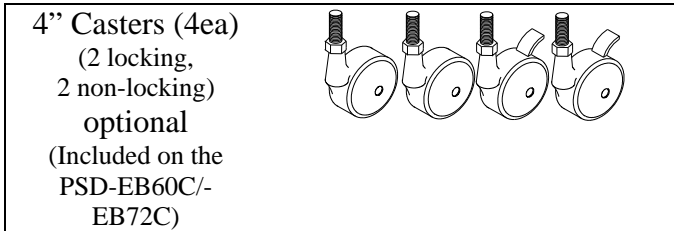
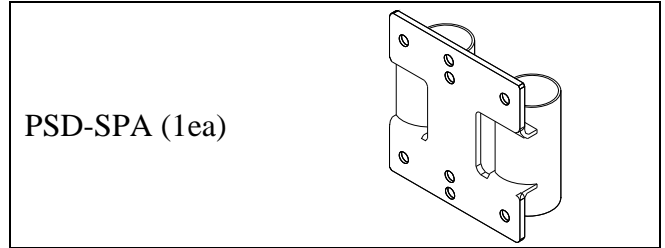
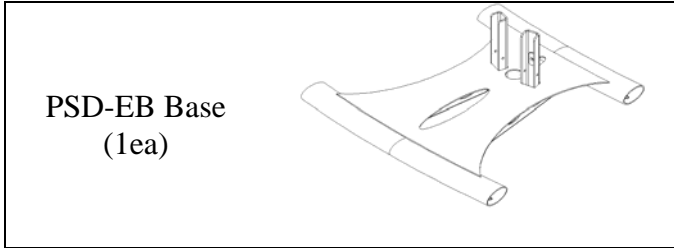


At least two qualified people should perform the assembly procedure. Injury and/or damage can result from dropping or mishandling the display.



Parts List

NOTE: This floor stand is shipped with all proper installation hardware and components. Make sure that none of these parts are missing and/or damaged before beginning installation. If there are parts missing and/or damaged, please stop the installation and contact Premier Mounts (800-368-9700).



Installation Tools

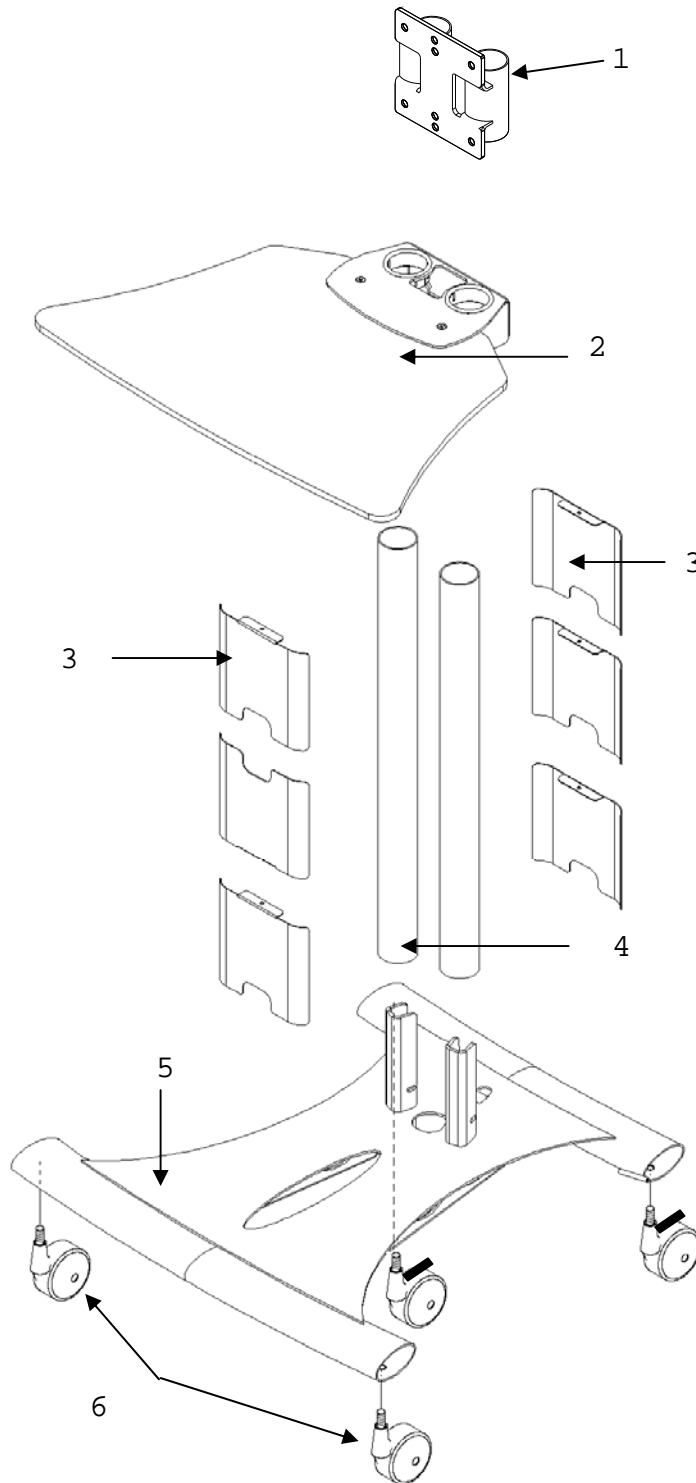
Flat Head Screw Driver/ Socket head wrench
Soft Material/ Blanket

M5 Allen Wrench (Supplied)
5/32" Allen Wrench (Supplied)



PSD-EB Assembly Overview

Unpack the PSD-EB and review any WARNING statements that apply to the installation. Select the desired location for the PSD-EB Floor Stand. Please see Figure 1 for layout.



1. PSD-SPA (1ea)
2. PSD-SHV (Optional)
3. CPA - Magnetic Covers (Optional)
4. Support Tubes
5. PSD-EB Base
6. 4" Caster Wheels (Optional)



Support Tube Installation

1. Place the PSD-EB base on a flat surface.
2. Take the support tubes and slide them over the mounting clamps that are located on the PSD-EB base.

NOTE: To perform the following step, the access holes that are located at the end of the support tubes must line up with the set screw holes on the clamps.

3. Insert the set screws into each hole and tighten with the supplied Allen wrench (Figure 1).
4. **OPTIONAL:** Attach the four (4) casters by threading the bolts into the holes that are located under each leg of the PSD-EB base. Make sure that the two locking casters are mounted on the rear legs of the stand.
5. Attach the four (4) levelers by threading the bolts into the holes that are located under each leg of the PSD-EB base.

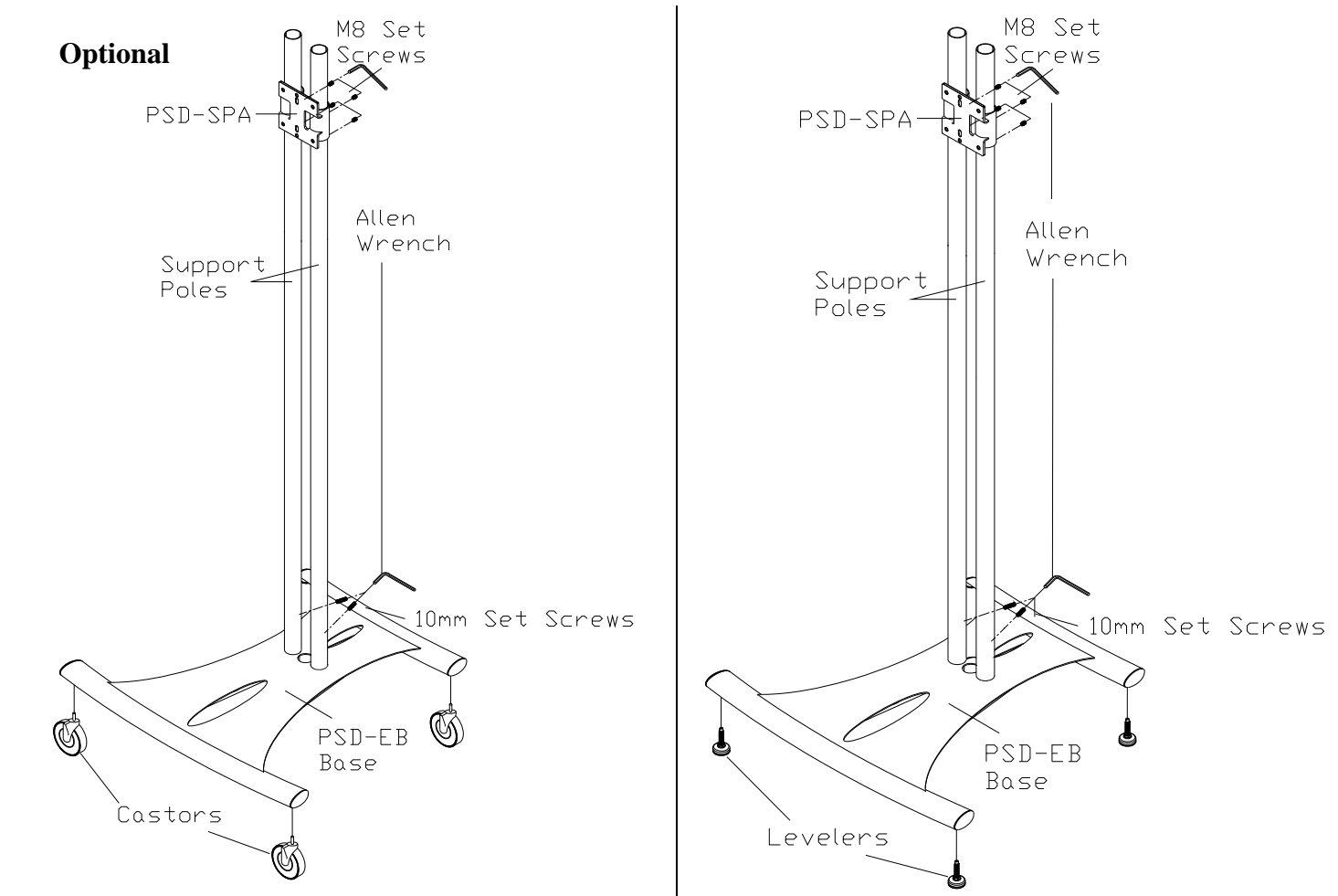


Figure 1. Support Tube Installation



Installing the Backplate to the Adapter

NOTE: The back plate will vary depending on the system ordered. There are two (2) different systems for this stand: PSM series (PDB-UWFB back plate) and CTM (back plate) series.

CAUTION: Arrow must be pointing up prior to installation. Secure the following plates to the secured PSD-SPA on the tubes.

1. For the PDB-UWFB (PSM-Series) secure the back plate to the four (4) threaded mounting points found on the PSD-SPA with the four (4) M10 x 12 bolts and flat washers (supplied).
2. For the CTM-Back plate (CTM-Series) secure the back plate to the four (4) threaded mounting points found on the PSD-SPA with the four (4) M10 x 12 bolts and flat washers (supplied) – (Figure 2)

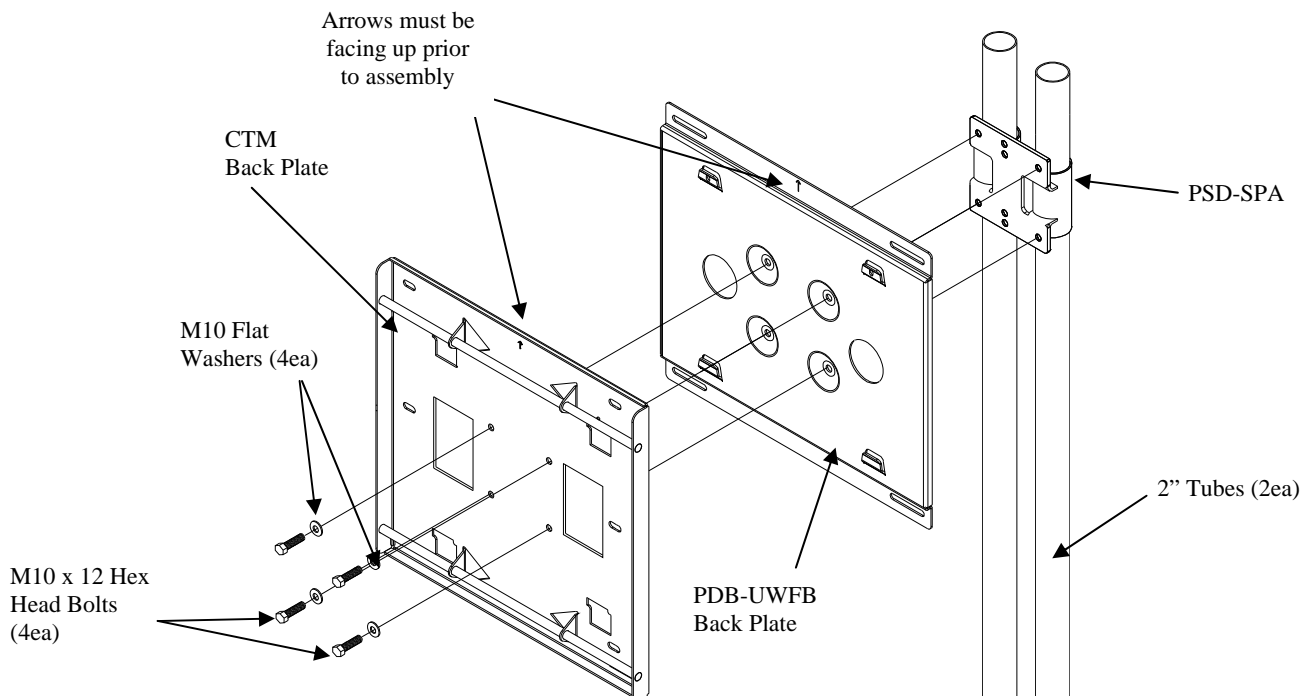


Figure 2



Installing the Plasma to the Stand

CAUTION: The flat panel display is very heavy. Two people are required to safely lift the flat panel and secure it to the back plate installed on the stand.

NOTE: To install the PSM-Series or CTM-Series mounting brackets to the flat panel, refer to its installation instructions.

The following diagrams show the CTM and PCM series systems.

PSM-Series: Raise the flat panel display with the mounting bracket secured. Insert the four (4) tab openings from the PSM mount to the four (4) receiving tabs found on the PDB-UWFB back plate. Push to slide the flat panel display down, right and down again to lock the mounts together (Figure 3). Make sure all tab openings are interlocked with the receiving tabs before letting go of the flat panel. Secure the brackets with the two (2) M6 x 12 (mm) Phillip (supplied) screws for additional security.

CTM-Series: Raise the flat panel display with the left and right brackets secured to the plasma and insert the bottom and top hooks from the mounting arms to the top and bottom rods found on the CTM back plate. Secure the mounting arms with the two (2) M6 x 12 Safety knobs (supplied).

CAUTION: The safety knobs **MUST** be used. Failure to do so may result in damage to the flat panel display or personal injury (Figure 3).

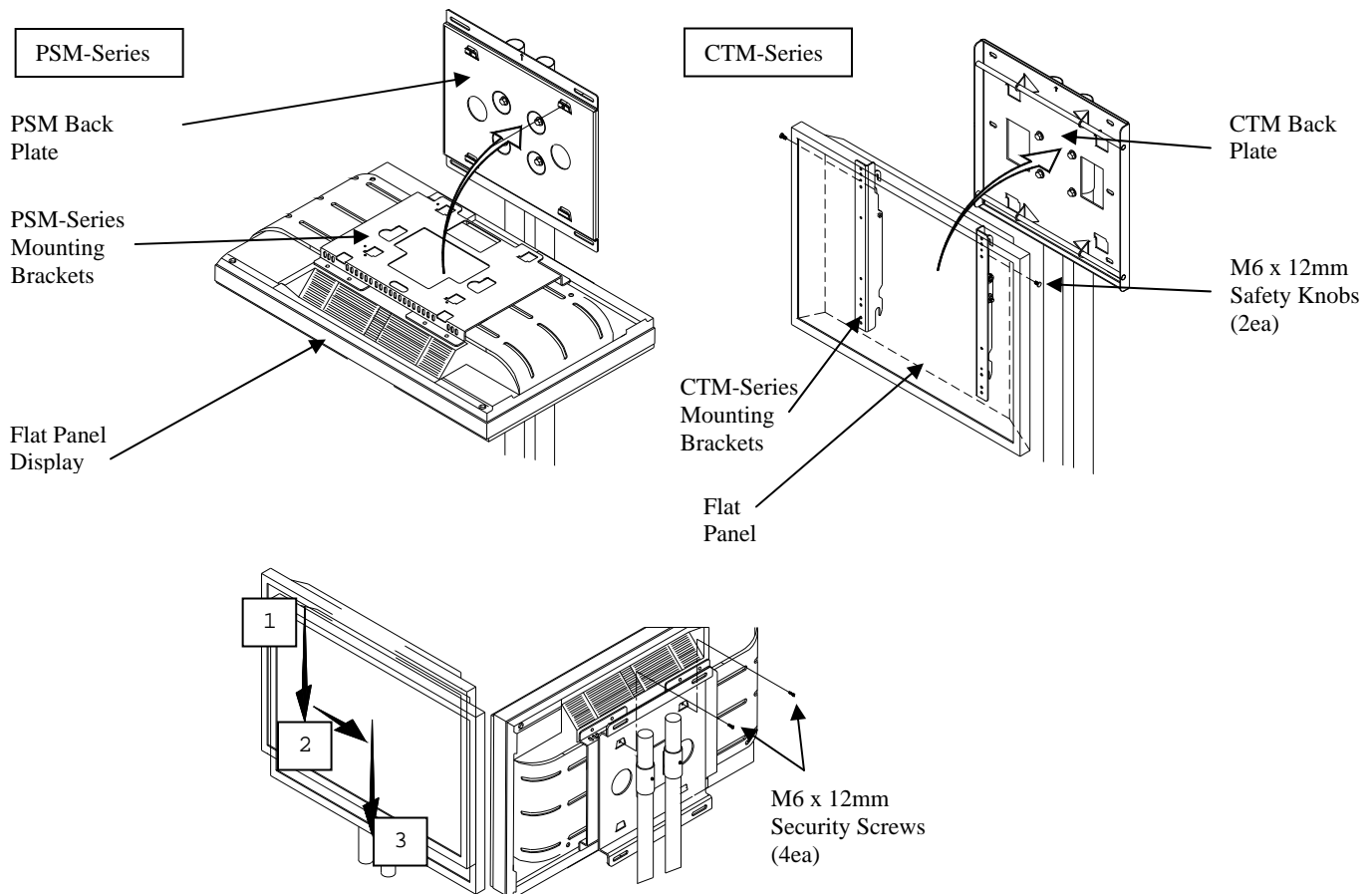


Figure 3



Technical Specifications

All measurements are in inches (mm).

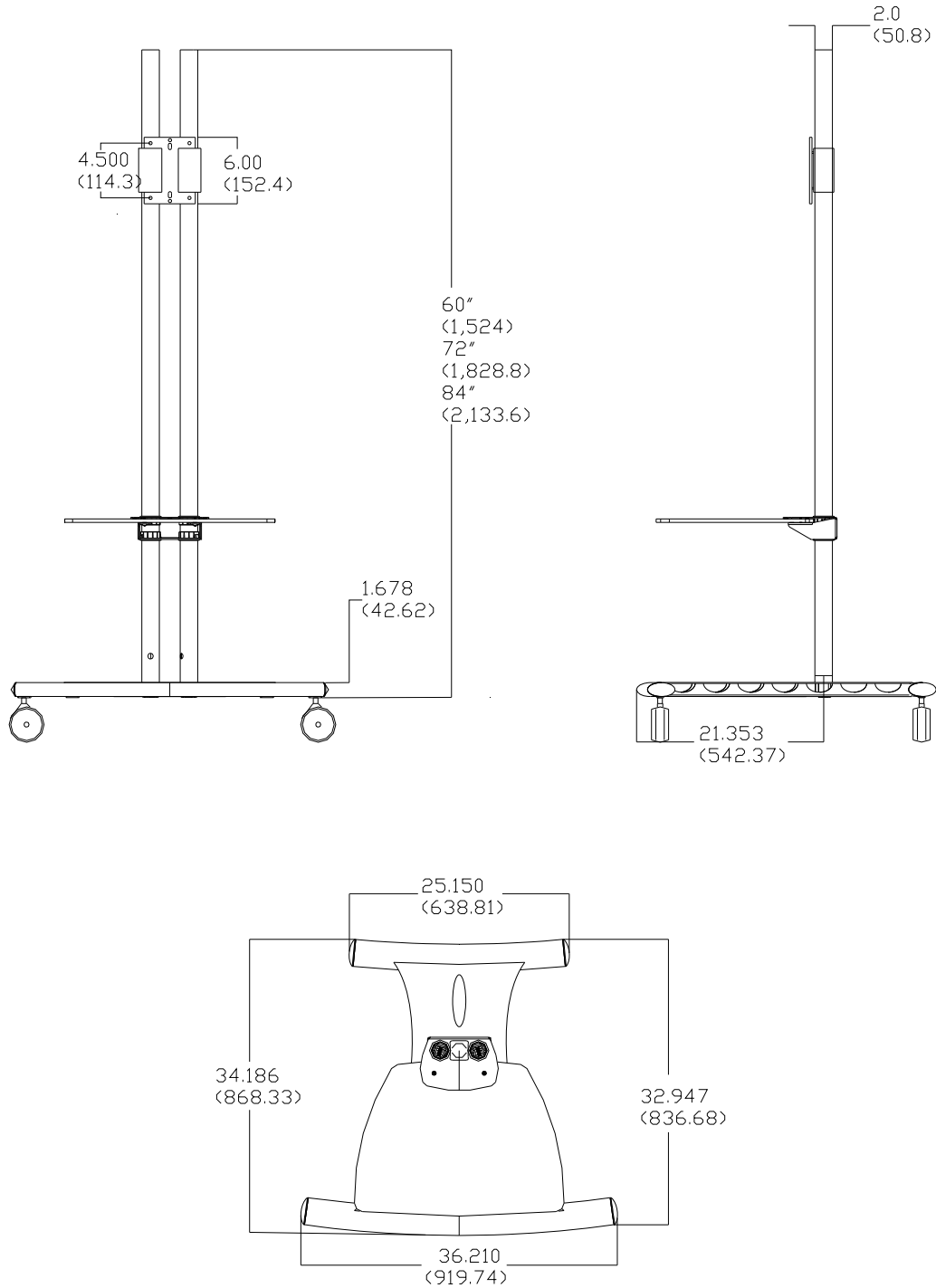
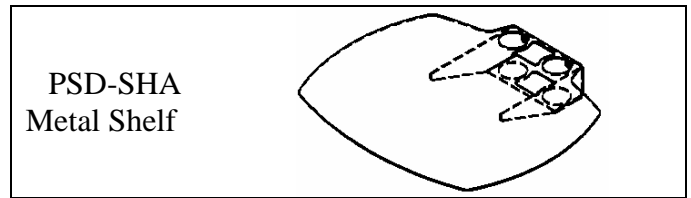
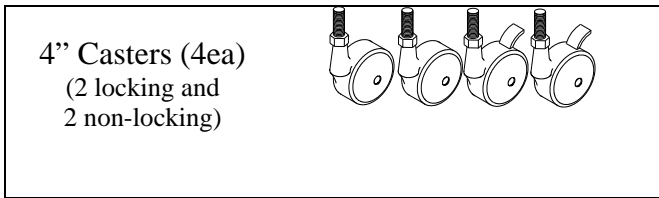
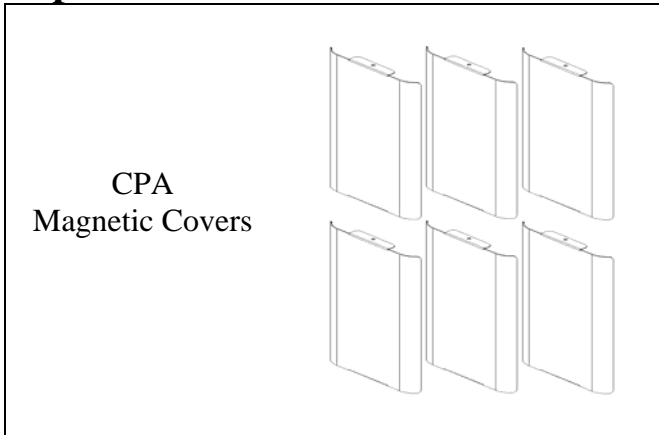


Figure 4. Technical Specifications

NOTE: If the 84” support tubes are ordered, the PSD-EB will only come with feet levelers. The casters are not an option with the 84” support tubes as the unit will not pass through regular height doors.



Optional Accessories



Notes



NORTH AMERICA

3130 East Miraloma Avenue
Anaheim, CA 92806 USA
USA and Canada –
Phone: 800-368-9700
Fax: 800-832-4888

EUROPE

Swallow House,
Shilton Industrial Estate,
Shilton, Coventry, England CV79JY
Phone: +44 (0) 2476 614700
Fax: +44 (0) 2476 614710

AUSTRALIA, NEW ZEALAND, OCEANIA (DISTRIBUTOR)

P.O. Box 295
Mordialloc Victoria 3195
Australia
Phone: 03 9586 6330
www.premiermounts.com.au

Other Locations – Phone: 001.714.632.7100; Fax: 001.714.632.1044

©Premier Mounts 2007

IN-PSDEB.R3