

Hidden T-Bar Frame Adapter

New PP-FCTA-QL

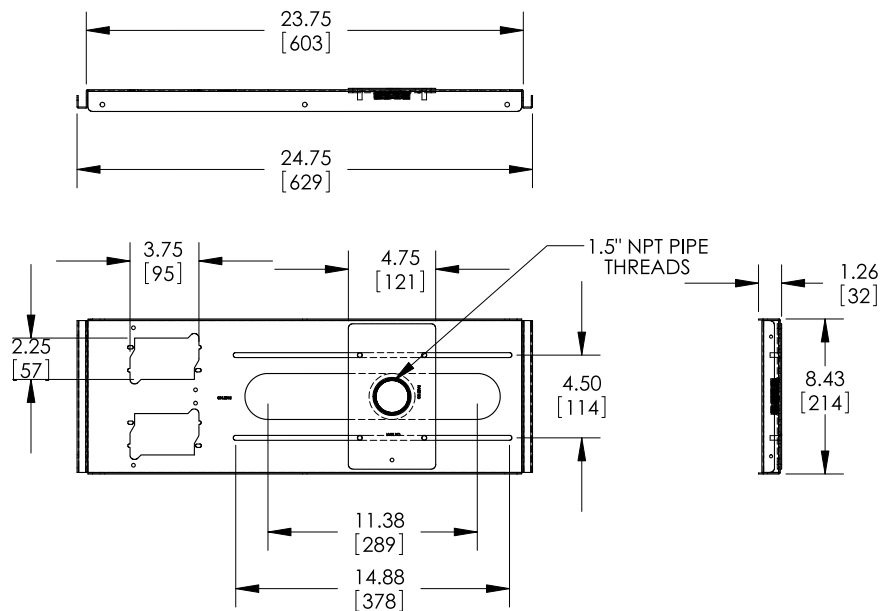
- Allows 9" of continuous movement
- Knockouts allow for wiring of signal and power outlets
- Wing nuts allow mobility of the 1 1/2" pipe coupler without excess tools
- Adapts to standard ceiling tiles
- Includes escutcheon ring and quick locking cable system
- Color: White



Model Max. Wt.
PP-FCTA-QL 50 lbs. (23 kgs.)



Purchase a quick locking cable system separately



False Ceiling Plate

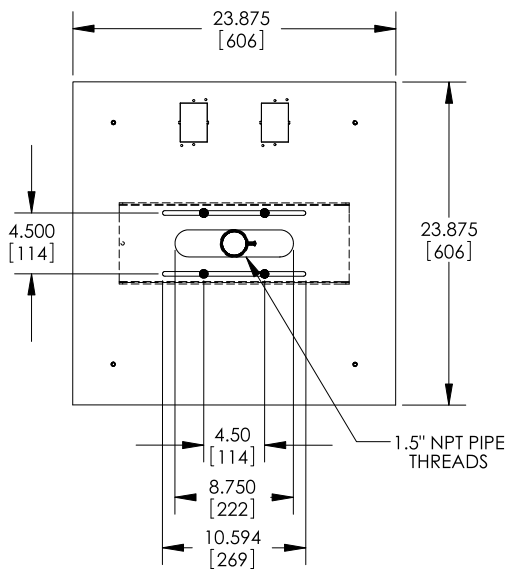
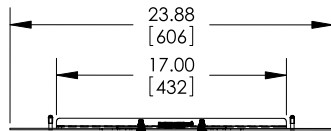
New PP-FCMA-QL

- 4" horizontal adjustment
- Knockouts allow for wiring of signal and power outlets
- Includes escutcheon ring and quick locking cable system
- Color: White



Model
PP-FCMA-QL

Max. Wt.
50 lbs. (23 kgs.)



Dimensions are in inches and millimeters [mm].
Drawings are subject to change without notice.

800.368.9700 | www.mounts.com

