

# FLAT PANEL MOUNTS

## Swingout Wall Mounts

### AM50 (Formerly AM2)

VESA Swingout Mount for Flat-Panels up to 37"



10"-37"



50 lbs. (23 kg)



16.9" (429mm)



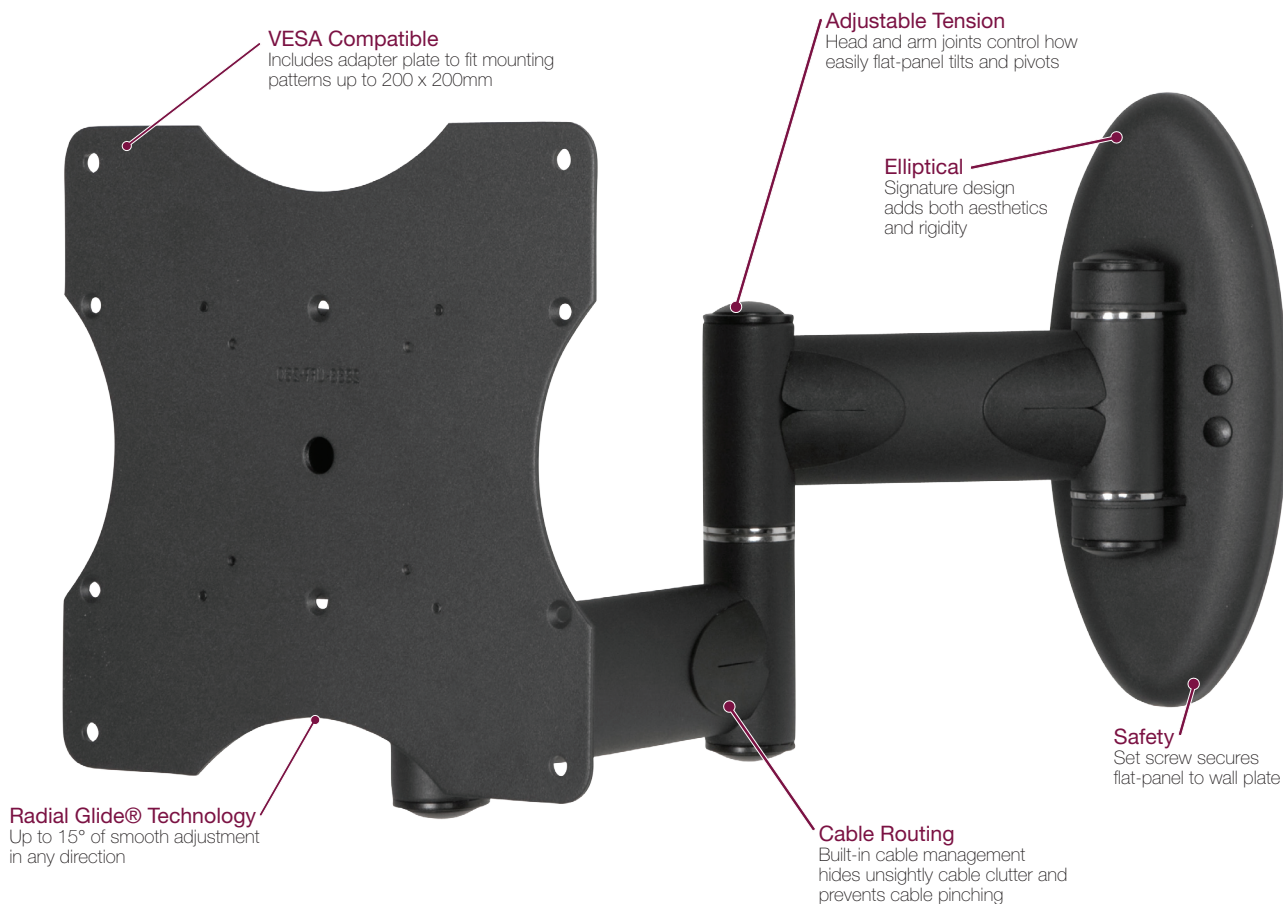
+/-15°



+/-90°



360°



**VESA Compatible**

Includes adapter plate to fit mounting patterns up to 200 x 200mm

**Adjustable Tension**

Head and arm joints control how easily flat-panel tilts and pivots

**Elliptical**

Signature design adds both aesthetics and rigidity

**Radial Glide® Technology**

Up to 15° of smooth adjustment in any direction

**Cable Routing**

Built-in cable management hides unsightly cable clutter and prevents cable pinching

**Safety**

Set screw secures flat-panel to wall plate

### FEATURES

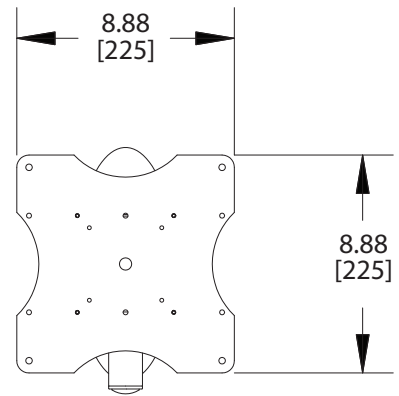
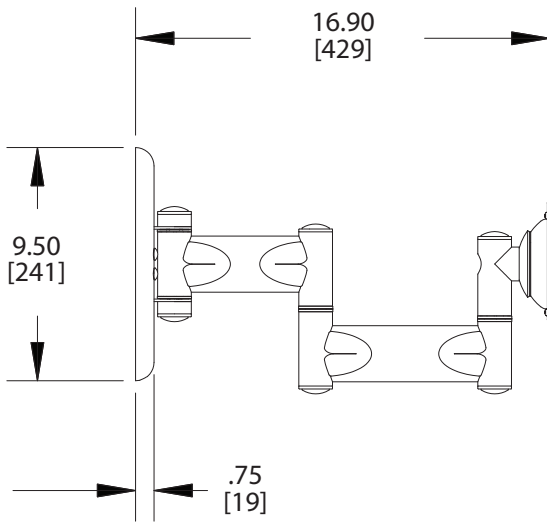
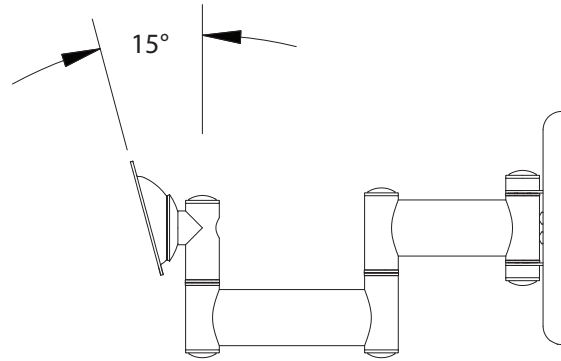
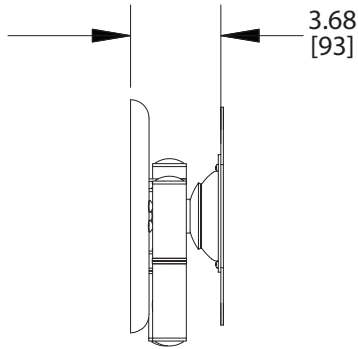
- Extends from 3.7"- 16.9" from the wall
- Quick, three-step installation
- Smooth movement featuring Radial Glide® Technology
- Cable routing inside arms
- Elliptical design adds rigidity and aesthetics
- OSHPD & DSA Approved (OPA-1684-07)

### SPECIFICATIONS

Models	AM50-B (Black) AM50 (Silver)
Display Range	10"-37"
Weight Capacity	50 lbs. (23 kg)
Extension	16.9" (429mm)
Tilt	+/-15°
Pivot	+/-15°
Swivel	+/-90°
Rotate	360°
Mounting Patterns	75 x 75mm, 100 x 100mm, 200 x 100mm & 200 x 200mm



## DIMENSIONAL DRAWING



Dimensions in inches and millimeters [mm].  
Drawings subject to change without notice.

## ACCESSORY OPTIONS

INW-AM200

In-wall Box



PSP-DB

Cart/Stand Adapter



FPA

Rack Mount Adapter



## FAQ

### What if I don't know my mounting pattern?

Check the mount locator tool on [www.mounts.com](http://www.mounts.com) to see a list of compatible mounts or select a universal mount, which fits a broader range of mounting points.

### My flat-panel fits more than one mount. How do I choose?

Installation requirements, aesthetics, flat-panel weight and range of motion should assist in whittling down your decision for you.

### What is OSHPD?

OSHPD stands for the Office of Statewide Health Planning and Development. Testing and certification from this government-run organization is focused on seismic testing of products. Mathematical calculations and physical shake tests are required for approval.