

### P5080F

Low-Profile Mount for Flat-Panels up to 80"



50"-80"



300 lbs. (136 kg)

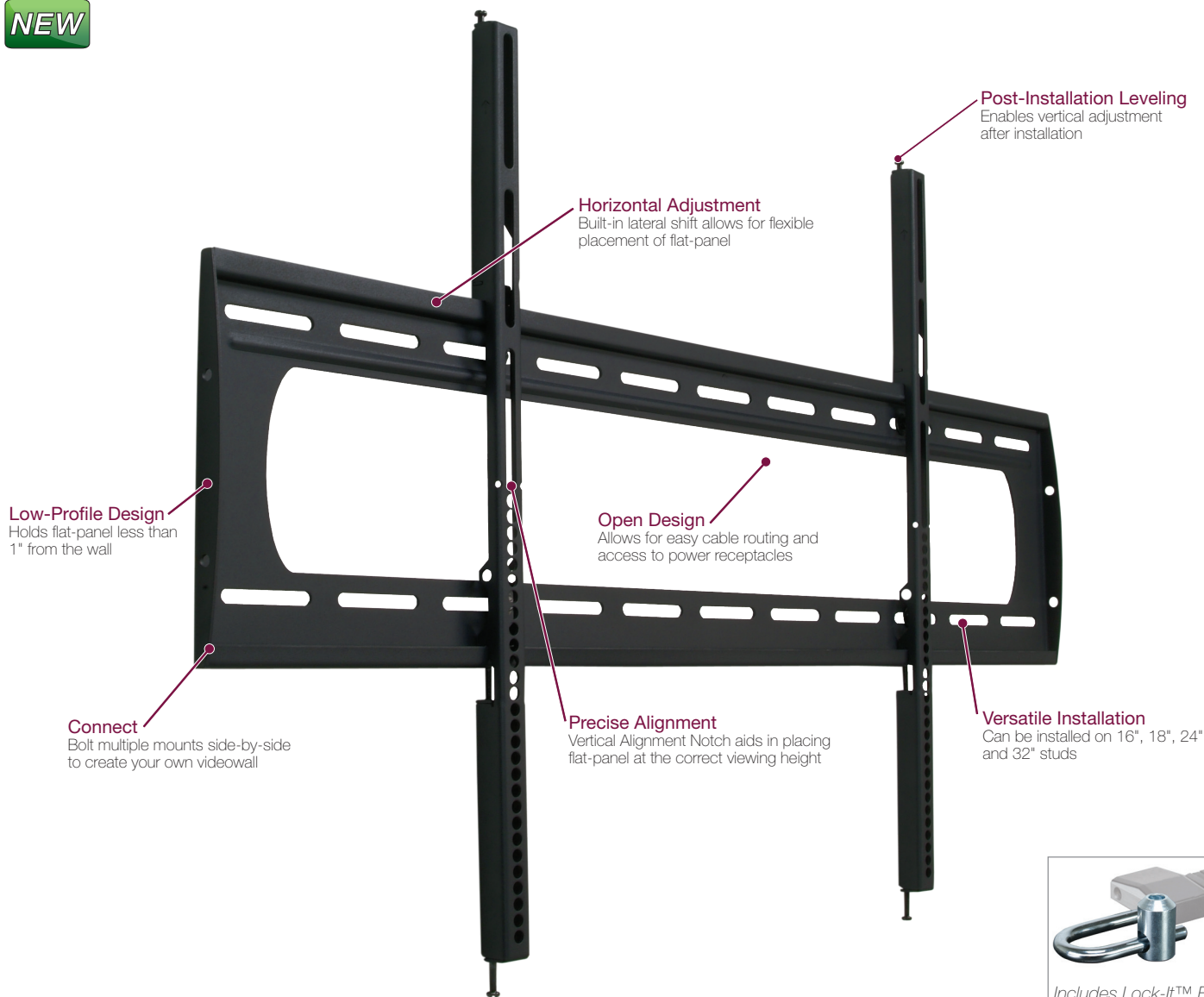


.96" (24mm)



1110 x 705mm

**NEW**



**Low-Profile Design**

Holds flat-panel less than 1" from the wall

**Horizontal Adjustment**

Built-in lateral shift allows for flexible placement of flat-panel

**Post-Installation Leveling**

Enables vertical adjustment after installation

**Open Design**

Allows for easy cable routing and access to power receptacles

**Precise Alignment**

Vertical Alignment Notch aids in placing flat-panel at the correct viewing height

**Versatile Installation**

Can be installed on 16", 18", 24" and 32" studs



Includes Lock-It™ Barrel

(Padlock not included)

#### FEATURES

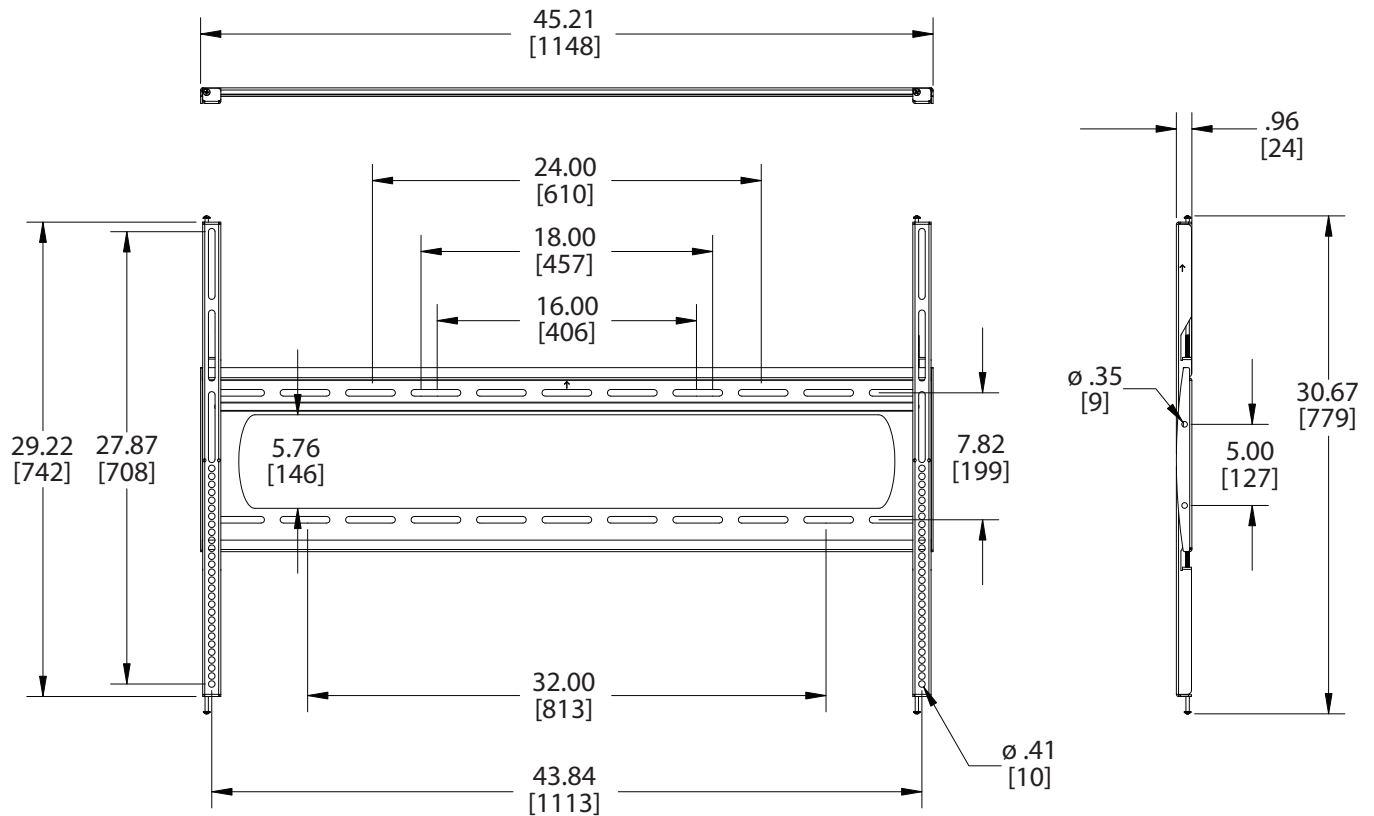
- Low-profile design
- Post-installation leveling system
- Open design for easy cable and electrical access
- Built-in lateral shift
- Universal hardware pack includes innovative universal spacers and M4-M10 screws
- Mounting kit includes wood, concrete and steel stud attachment hardware
- Lock-It™ security barrel included

#### SPECIFICATIONS

Model	P5080F
Display Range	50"-80"
Weight Capacity	300 lbs. (136 kg)
Depth	.96" (24mm)
Mounting Patterns	200 x 200mm (Min) - 1110 x 705mm (Max)



## DIMENSIONAL DRAWING



Dimensions in inches and millimeters [mm].  
Drawings subject to change without notice.

## ACCESSORY OPTIONS

GB-INWAVP In-wall AV Power GearBox™



PCB-CSL1 Cable Lock



INW60 In-wall Box



## FAQ

### What if I don't know my mounting pattern?

Check the mount locator tool on [www.mounts.com](http://www.mounts.com) to see a list of compatible mounts or select a universal mount, which fits a broader range of mounting points.

### My flat-panel fits more than one mount. How do I choose?

Installation requirements, aesthetics, flat-panel weight and range of motion should assist in whittling down your decision for you.