

# FLAT PANEL MOUNTS

## Swingout Wall Mounts

### AM300 (Formerly AM3)

Swingout Mount for Flat-Panels up to 68"



37"-68"



300 lbs. (136 kg)



26" (655mm)



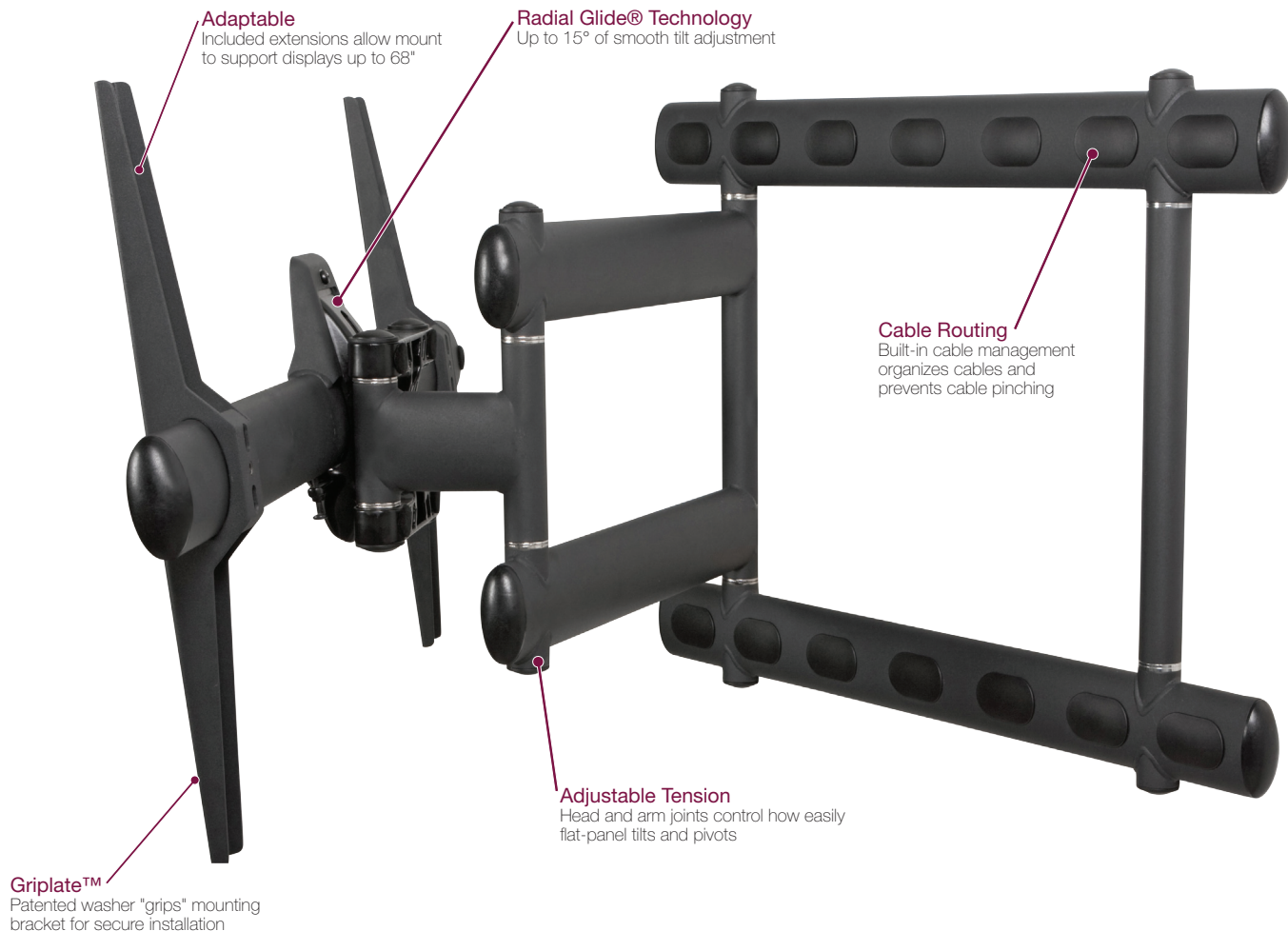
+/-10°



+/-90°



985 x 665mm



**Adaptable**

Included extensions allow mount to support displays up to 68"

**Radial Glide® Technology**

Up to 15° of smooth tilt adjustment

**Cable Routing**

Built-in cable management organizes cables and prevents cable pinching

**Adjustable Tension**

Head and arm joints control how easily flat-panel tilts and pivots

**Griplate™**

Patented washer "grips" mounting bracket for secure installation

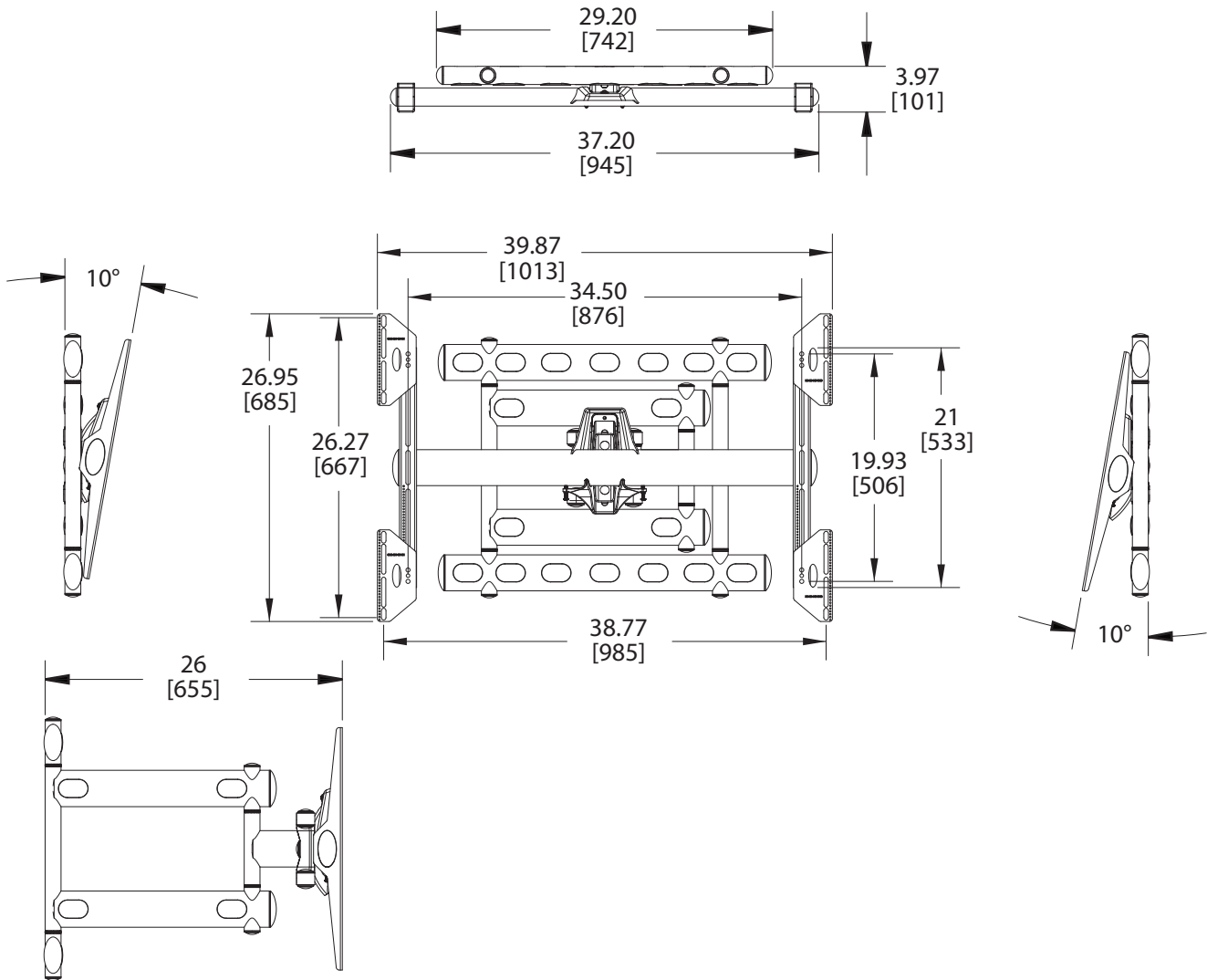
### FEATURES

- Extends 4"-26" from the wall
- May be installed to swing from left (shown) or right
- Smooth movement featuring Radial Glide® Technology
- Built-in cable management
- Features patented Griplate™ System
- Elliptical design adds rigidity and aesthetics

### SPECIFICATIONS

Models	AM300-B (Black) AM300 (Silver)
Display Range	37"-68"
Weight Capacity	300 lbs. (136 kg)
Extension	26" (655mm)
Tilt	+/-10°
Pivot	+/-45°
Swivel	+/-90°
Mounting Patterns	225 x 225mm (Min) - 985 x 665mm (Max)





Dimensions in inches and millimeters [mm].  
Drawings subject to change without notice.

**ACCESSORY OPTIONS**

INW-AM325

In-wall Box



GB-INWAVP

In-wall AV Power GearBox™



**FAQ**

**What if I don't know my mounting pattern?**

Check the mount locator tool on [www.mounts.com](http://www.mounts.com) to see a list of compatible mounts or select a universal mount, which fits a broader range of mounting points.

**My flat-panel fits more than one mount. How do I choose?**

Installation requirements, aesthetics, flat-panel weight and range of motion should assist in whittling down your decision for you.