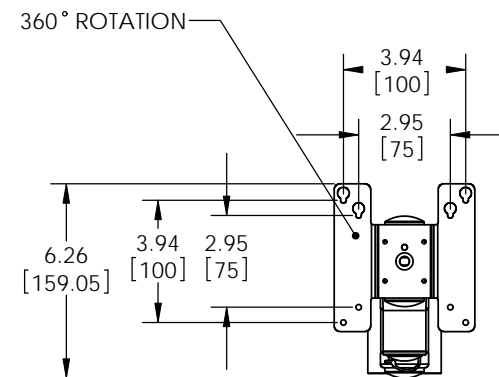
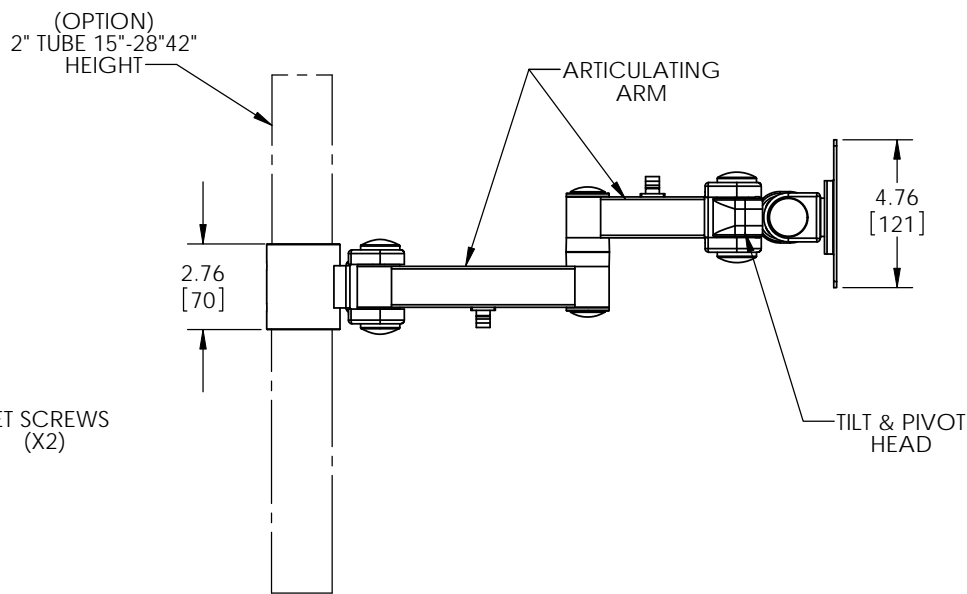
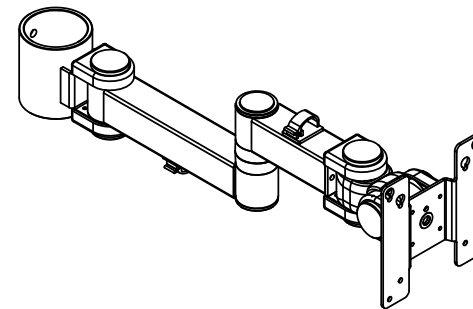
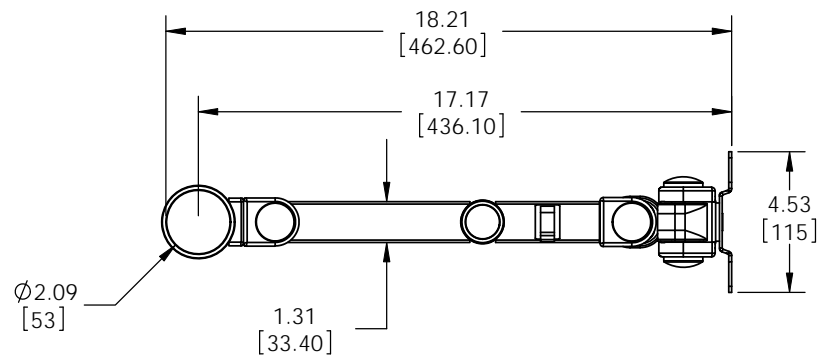


8 7 6 5 4 3 2 1

THE INFORMATION CONTAINED IN THIS DRAWING IS THE SOLE PROPERTY OF PREMIER MOUNTS DIVISION OF <PMPI>. ANY REPRODUCTION IN PART OR WHOLE WITHOUT THE WRITTEN PERMISSION OF PREMIER MOUNTS DIVISION OF <PMPI> IS PROHIBITED.



MOUNTS.COM

PREMIER MOUNTS[®]
CREATING POSITIVE CUSTOMER EXPERIENCES

3130 East Miraloma Avenue
Anaheim, CA 92806
P. 800.368.9700 - F. 800-832.4888

| | | | |
|-------------------|----------|--------------|--|
| ITEM DESCRIPTION: | | MM-A1 | |
| SIZE | DWG. NO. | | |
| B | | | |
| SCALE: 1:1 | | SHEET 1 OF 1 | |