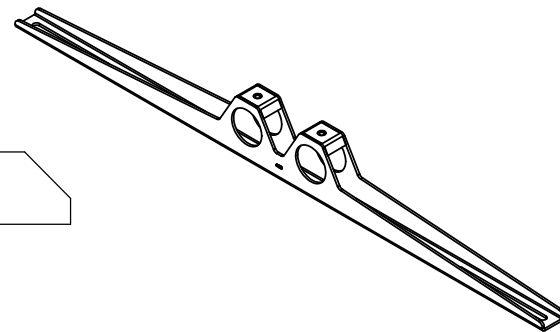
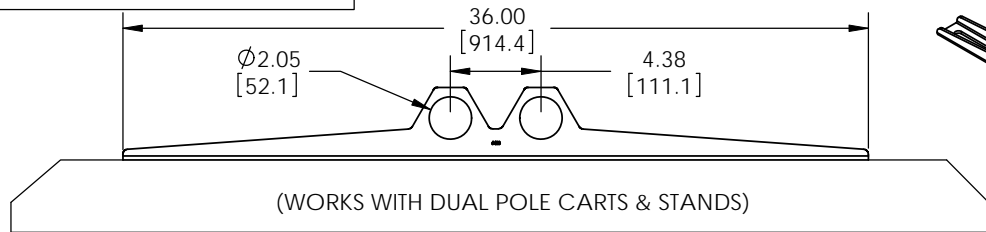
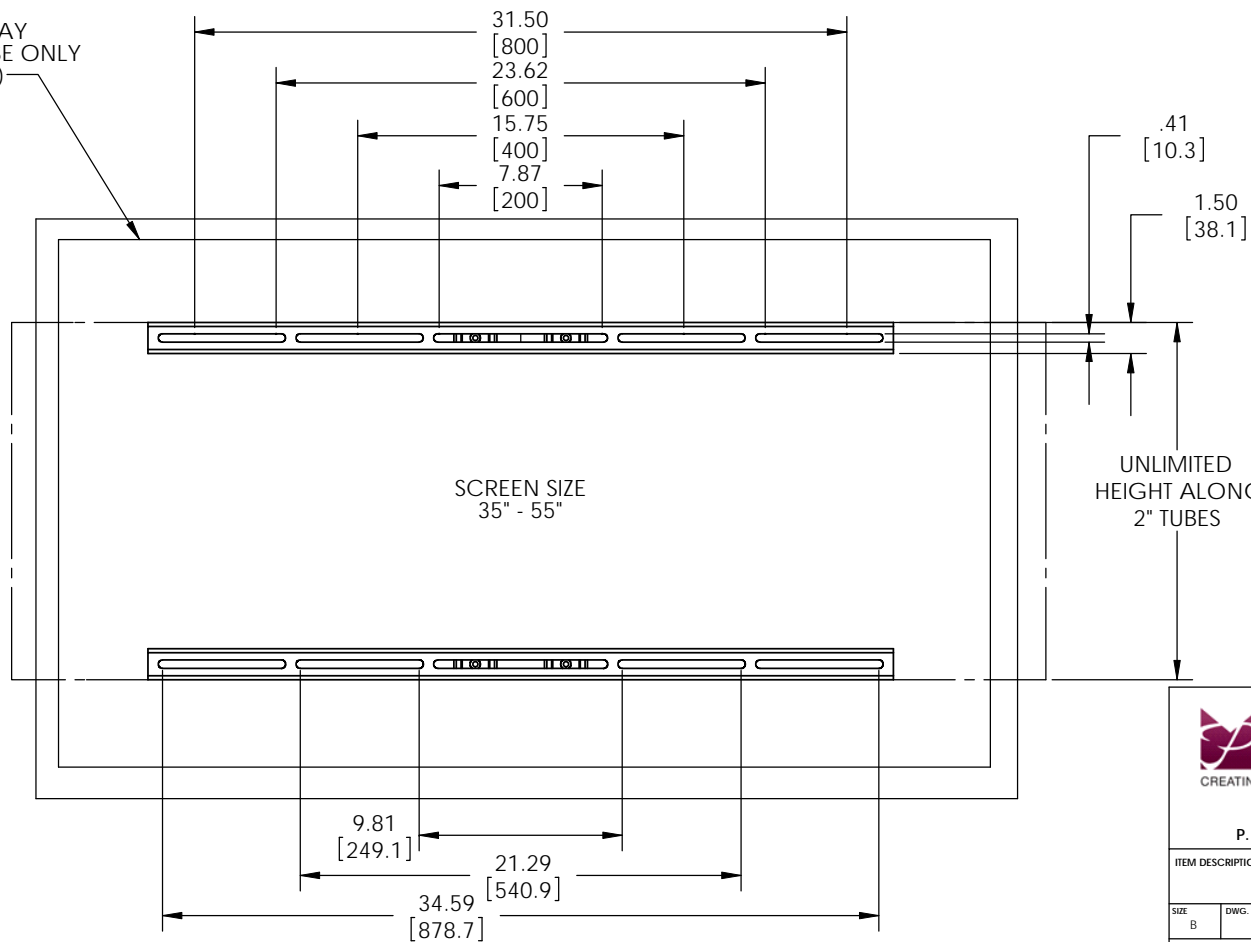


THE INFORMATION CONTAINED IN THIS DRAWING IS THE SOLE PROPERTY OF PREMIER MOUNTS DIVISION OF <PMPI>. ANY REPRODUCTION IN PART OR WHOLE WITHOUT THE WRITTEN PERMISSION OF PREMIER MOUNTS DIVISION OF <PMPI> IS PROHIBITED.



(FLAT PANEL DISPLAY FOR DIAGRAM PURPOSE ONLY (NOT INCLUDED))



MOUNTS.COM

PREMIER MOUNTS
 CREATING POSITIVE CUSTOMER EXPERIENCES

3130 East Miraloma Avenue
 Anaheim, CA 92806
 P. 800.368.9700 - F. 800-832.4888

ITEM DESCRIPTION:		UFA	
SIZE	DWG. NO.		
B			
SCALE: 1:6		SHEET 1 OF 1	