

Short Throw Projector Mount

For Projectors up to 35 lb (15 kg)

MODELS

Universal Models:

Includes theft resistant hardware for attaching projector to mount

PSTA-2955	Black
PSTA-2955-W	White
PSTK-2955	Black with wall plate
PSTK-2955-W	White with wall plate

SCREEN ADAPTER

Mounting pattern

Universal Models: Up to 17.63" (448 mm)

SPECIFICATIONS

Distance from wall

29"-55" (736-1397 mm)

Tilt | Swivel | Roll

±20° | ±15° | ±10°

Max load

35 lb (15 kg)

Product Dimensions (W x H x D)

PSTA-2955(-W): 3.93" x 11" x 40"-65"
(100 x 279 x 1026-1663 mm)

PSTK-2955(-W): 18.50" x 13.11" x 40"-65"
(470 x 333 x 1026-1663 mm)

Mounting Surfaces

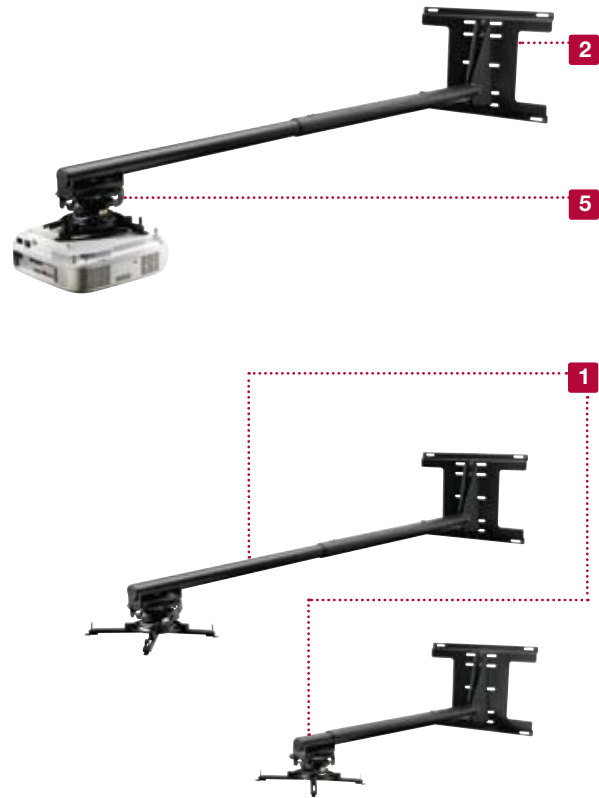
Wood stud, concrete, cinder block and metal stud
(Metal stud accessory required)

Ship Weight

PSTA-2955(-W): 21.58 lb (9.79 kg)

PSTK-2955(-W): 25.1 lb (11.39 kg)

1. Telescoping arm design allows for a large range of mounting options, 29"-55" (736-1397 mm), with convenient lockdown slot at every point
2. Double stud wall plate allows for 6" (152 mm) of lateral adjustment for precise alignment of the ultra-short throw projector
3. Access slots allow for all internal cable management
4. Pre-installed security screws lockdown short throw arm and prevent tampering
5. Kitted with Peerless' Universal Precision Gear Projector Mount (PRG-UNV) (pg# 87)



TECHNICAL DRAWINGS

For expanded product information and technical data visit www.peerlessmounts.com

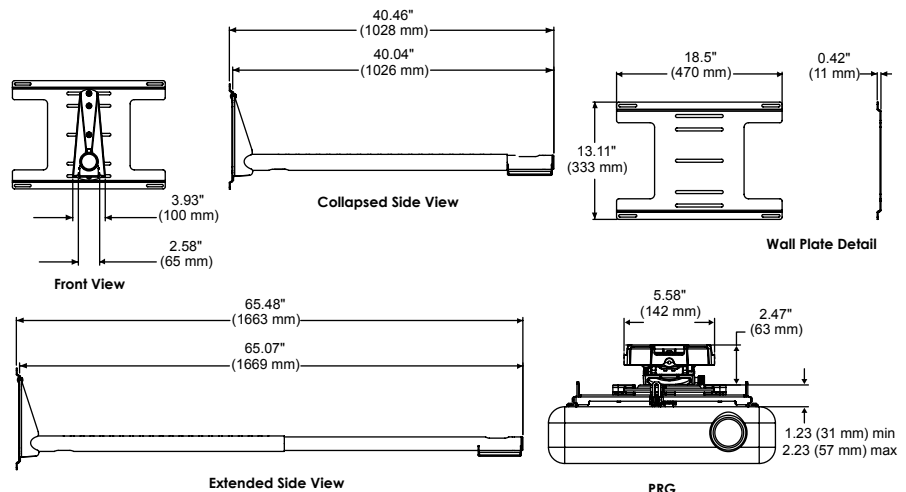
CERTIFICATIONS



ACCESSORIES



WBK100:
Throw Back-up Double Stud
Wall Plate..... pg# 129



To verify mount compatibility with any LCD, plasma or projector model use MountFinder™ at www.peerlessmounts.com



CLICK: www.peerlessmounts.com



CALL: 800.865.2112



FAX: 708.865.2941