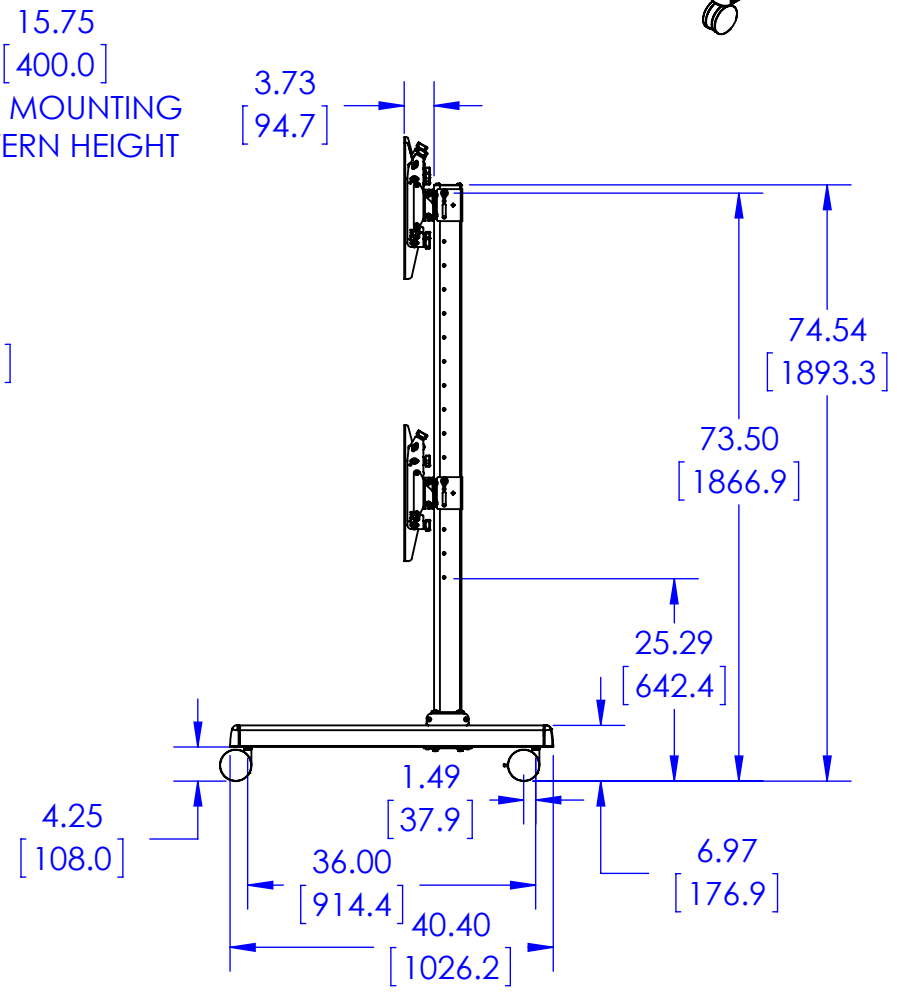
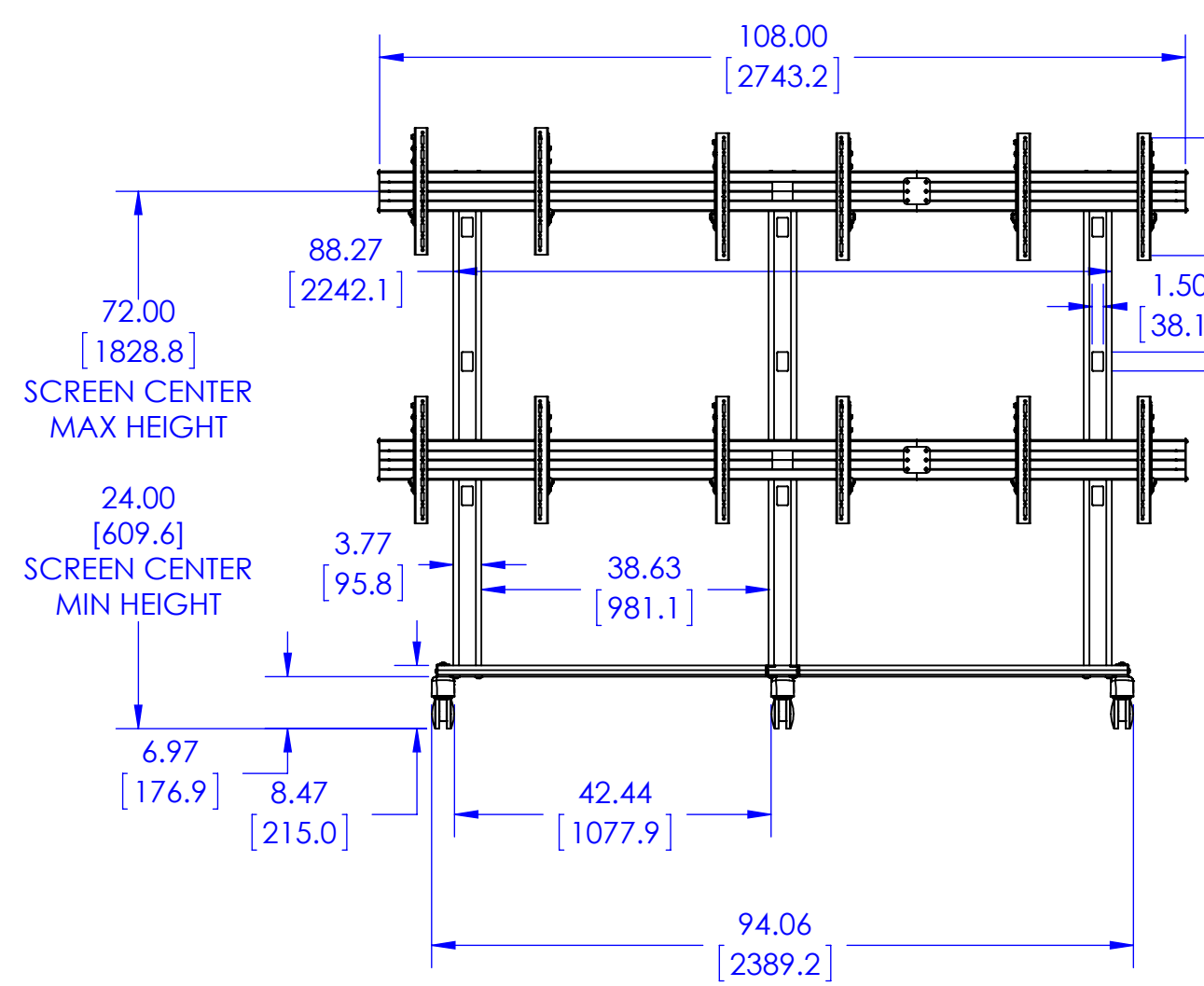
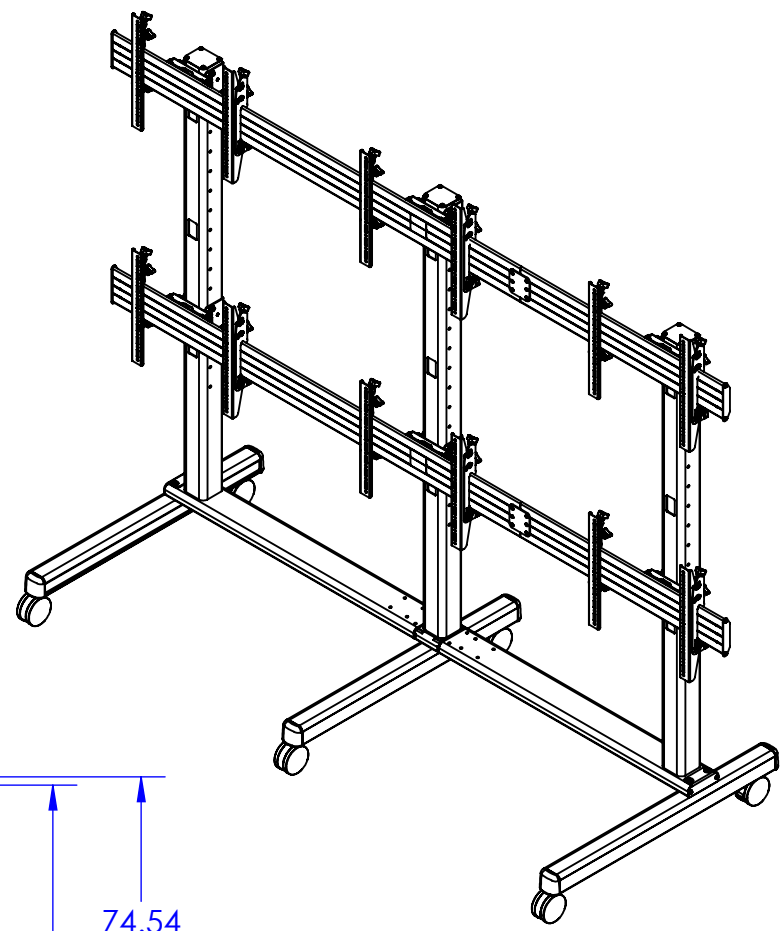
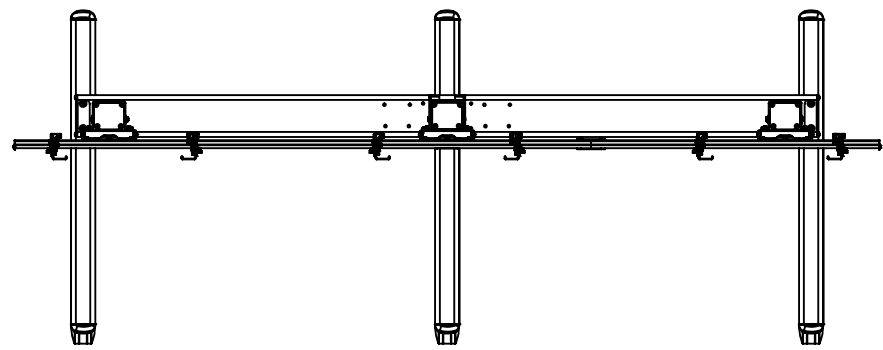


**MAX WEIGHT:  
125 LBS PER DISPLAY  
750 LBS TOTAL**



**THE INFORMATION AND DESIGNS CONTAINED IN THIS DRAWING ARE CONFIDENTIAL AND THE PROPRIETARY PROPERTY OF MILESTONE AV TECHNOLOGIES NEITHER THIS DESIGN NOR ANY INFORMATION CONTAINED IN THIS DRAWING MAY BE REPRODUCED OR DISCLOSED TO OTHERS WITHOUT THE EXPRESS WRITTEN CONSENT OF MILESTONE AV TECHNOLOGIES.**

CAD GENERATED DRAWING, DO NOT MANUALLY UPDATE.			<b>CHIEF</b> 6436 CITY WEST PKWY EDEN PRAIRIE MN, 55344 PHONE: 866-977-3901 FAX: 877-894-6918	
DRAWN BY	MJS	3/22/2012	DESCRIPTION <b>LVM3X2U, FUSION 3X2 VIDEO WALL CART</b>	
ENG APPROVAL	MJS	3/22/2012	MODEL NO. <b>LVM3X2U</b>	
MFG APPROVAL			SIZE DWG. NO. <b>B TECH-000023</b>	
QA APPROVAL			REV. <b>01</b>	
SHEET 1 OF 1		SCALE <b>1:24</b>		