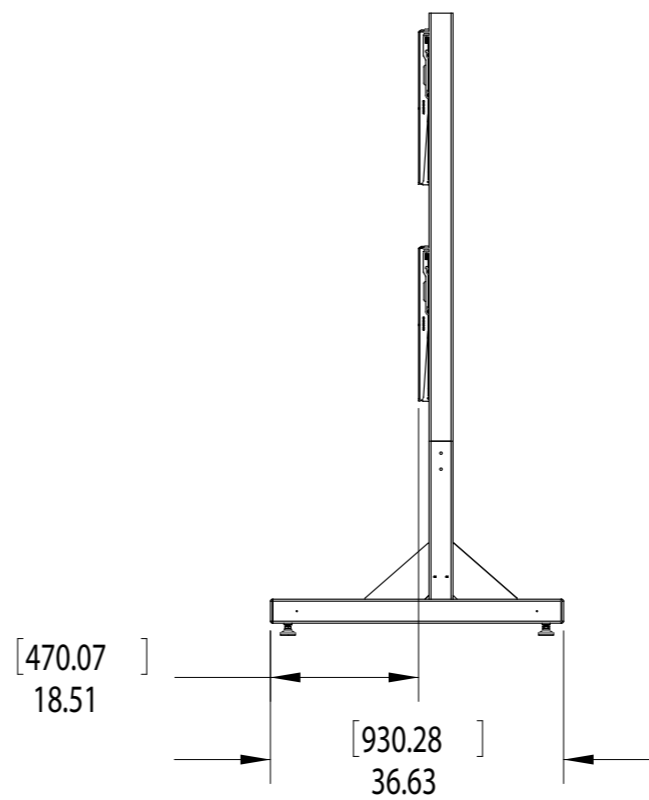
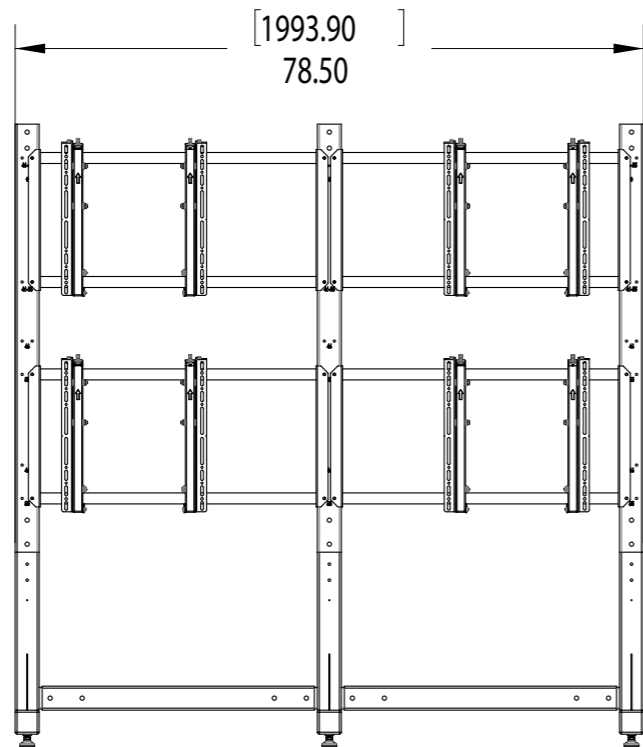
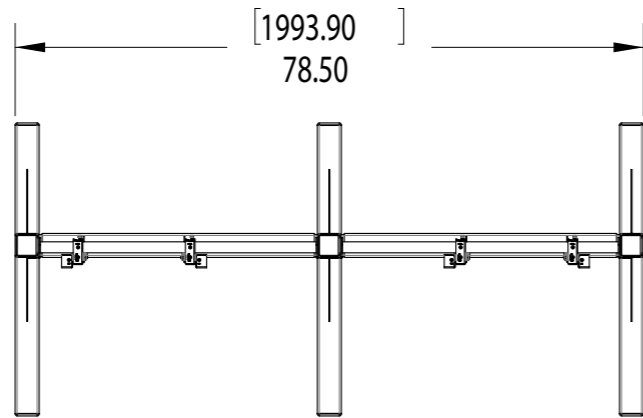


THE INFORMATION CONTAINED IN THIS DRAWING IS THE SOLE PROPERTY OF  
 PREMIER MOUNTS DIVISION OF <PMPI> ANY REPRODUCTION IN PART OR WHOLE WITHOUT  
 THE WRITTEN PERMISSION OF PREMIER MOUNTS DIVISION OF <PMPI> IS PROHIBITED.



DIMENSION ARE IN INCH AND [MM]

3130 East Miraloma Avenue  
 Anaheim, CA 92806  
 P. 800.368.9700 - F. 800.832.4888

ITEM DESCRIPTION:

**MVWS-2X2-4655**

SIZE  
B

DWG. NO.

SCALE: 1:24

SHEET 1 OF 1