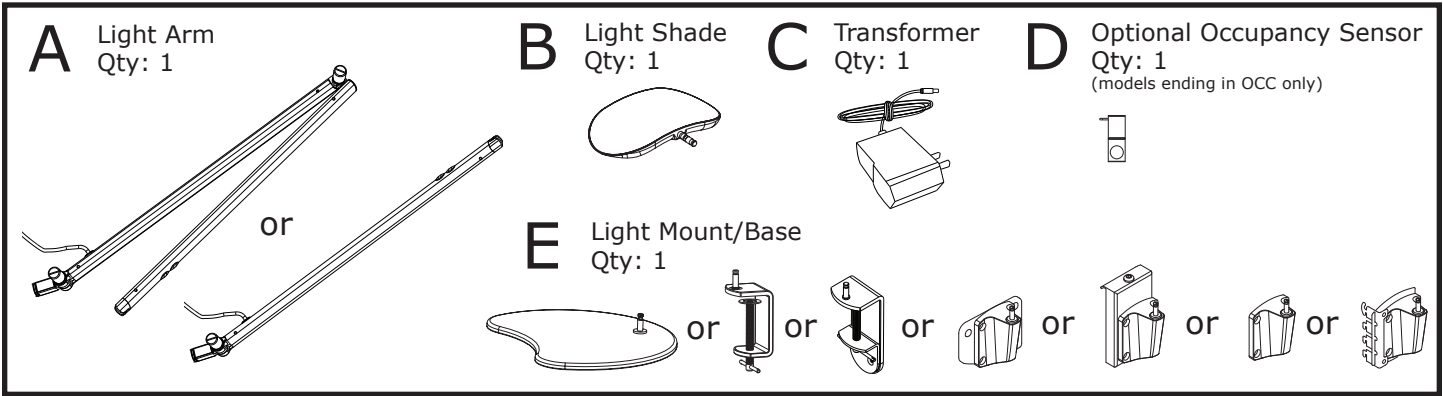




Astra Installation Instructions

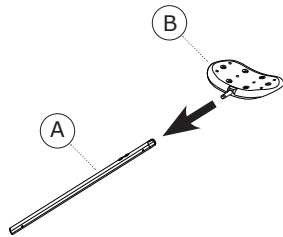


No tools are required to assemble Astra

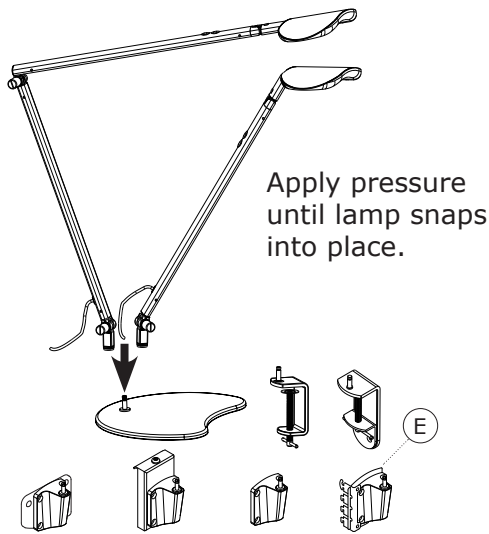
1 Attach Light Mount/Base to desired location. If not using desk base, follow instructions provided with mount.

2 Attach Light Shade to Light Arm

Apply pressure until shade (B) snaps into place.

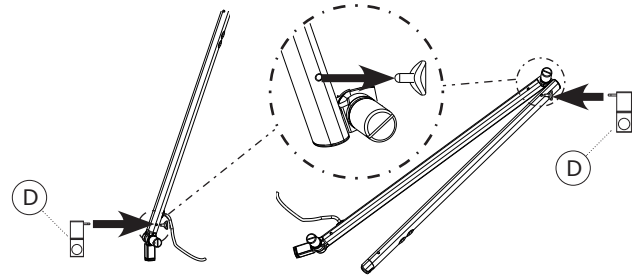


3 Attach Lamp to Base or mount



4 Attach optional Occupancy Sensor

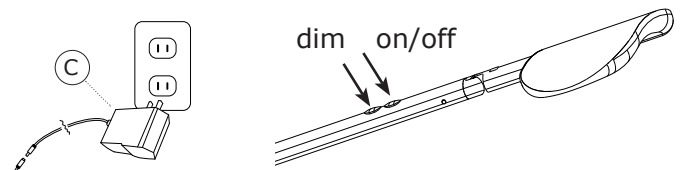
For optional Occupancy Sensor, remove black plastic plug and insert sensor (D).



To use the Occupancy Sensor, you must first turn the Astra on.

5 Plug in, turn on

Connect cord from light arm to transformer. See user guide for more information on Astra's features.



! **Note! If attaching light to adjustable height worksurface, raise worksurface to maximum height before positioning fixture to ensure that cord will reach the outlet when worksurface is raised.**

Replacement parts for Astra

- Astra Transformer..... AST-T12
- Astra replacement shade, Carbon AST-SH-C

- Astra replacement shade, Winter AST-SH-W
- Astra replacement shade, Sterling AST-SH-S