

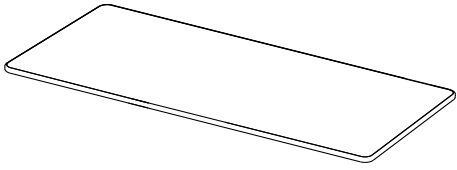


Workrite Sierra™ HXL


Assembly Instructions
for 2-leg Electric Workcenters

List of Parts, grouped by carton

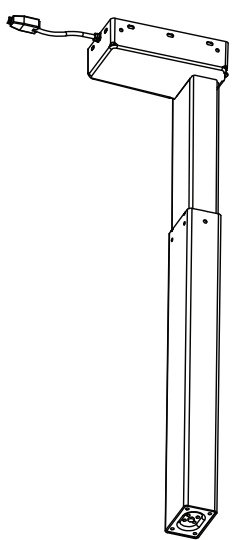
A Top (size and shape differ for each model)
Qty: 1



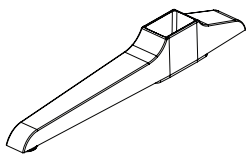
B Long Brace
Qty: 1




D Leg
Qty: 1




F Feet
Qty: 2



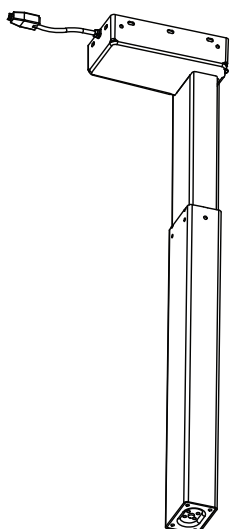
C Short Brace
Qty: 2




E Medium Brace
Qty: 2




D Leg
Qty: 1



G #M6 X 12MM Button Head Cap Screw
Qty: 12




H #12 x 3/4" Pan Head Wood Screw
Qty: 32




OR


#10 x 3/8" Pan Head Type 23 Screw
Qty: 36



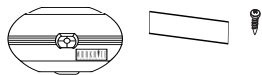
M Leg Cables - 1 meter
Qty: 2




I M4 Allen Wrench
Qty: 1



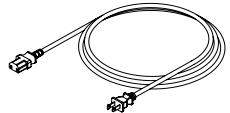
N Cable management kits
Qty: 2



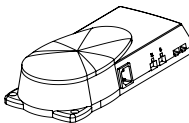
J #8 x 5/8" Pan Head Sheet Metal Screw
Qty: 2 or 0
(Not included with Silhouette Top workcenters)



O Power cord
Qty: 1



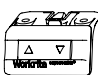
K Control Box
Qty: 1




P #M6 X 16MM Flat Head Cap Screw
Qty: 8



L Switch
Qty: 1



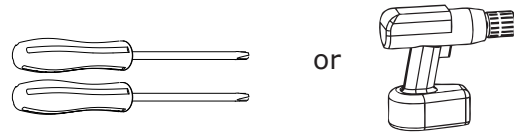
Important Note

 You must complete initialization (Step 10) at the end of assembly or your table WILL NOT FUNCTION PROPERLY.

1 Verify that you have all the hardware and tools needed for the assembly

a Check your cartons against the list on page 2 to verify that you have all the parts needed.

You will also need the following tools:

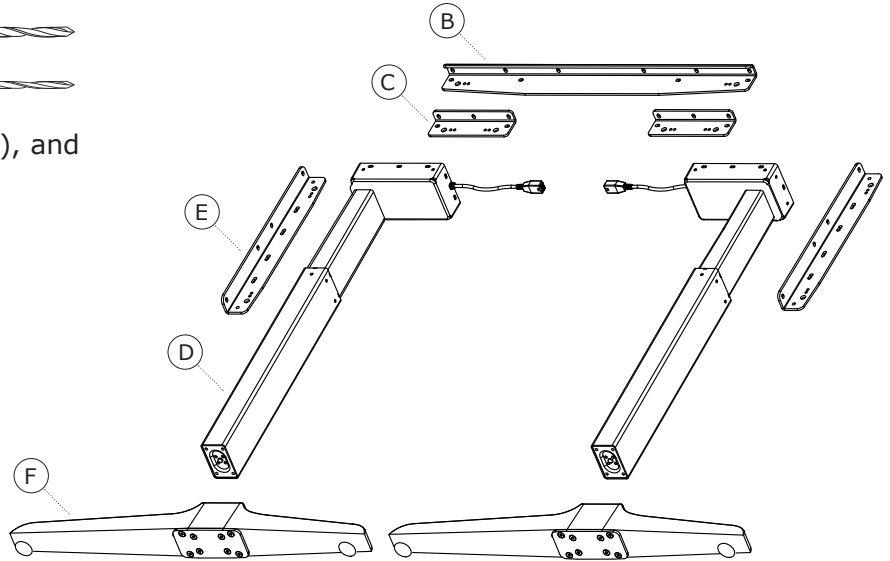
- #2 tip Phillips screwdriver or drill bit
- #3 tip Phillips screwdriver or drill bit



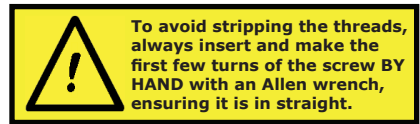
If you do not have a Workrite tabletop, you will also need a:

- 1/8" pilot drill bit 
- 3/32" pilot drill bit 

b Lay Legs (D), Braces (B, C, and E), and Feet (F) on the floor.



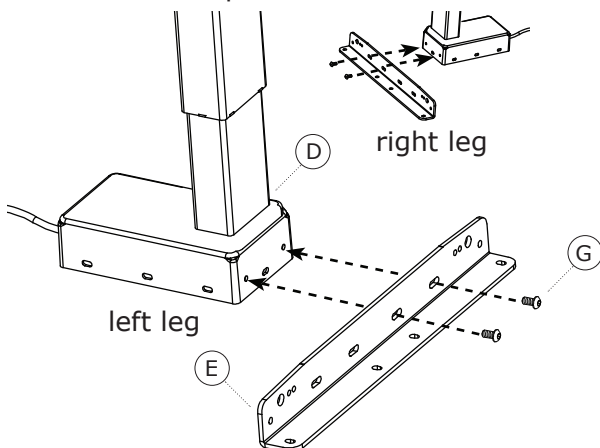
2 Attach Medium Braces



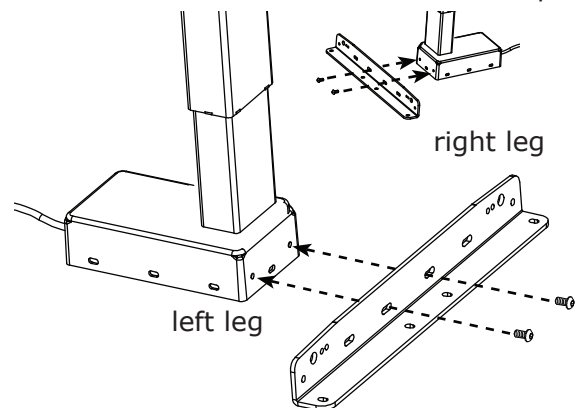
If you have purchased the HX Spacer Accessory Kit, refer to instructions provided with that product. Otherwise, proceed to step a.

a Attach Medium Braces (E) to sides of Legs (D) using Button Cap Screws (G). If you have a 24" deep or less worksurface, use the holes towards the back of the brace so that the brace extends out above the long part of the foot. For deeper worksurfaces, use the center holes of the brace so that it is centered on the leg. **Do not tighten screws completely - allow them to slide left and right in brace.**

worksurface 24" deep or less

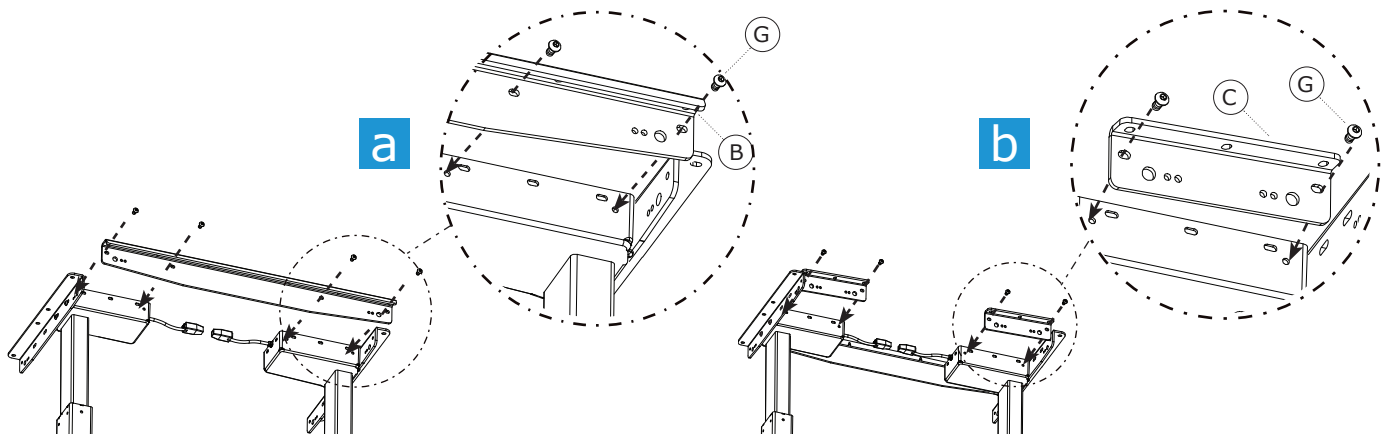


worksurface more than 24" deep



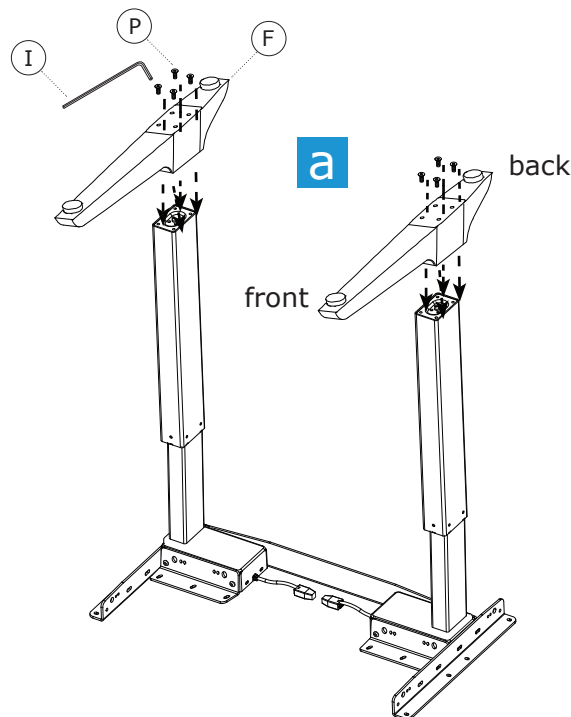
3 Attach Long and Short Braces to Legs

- a** With legs on their sides and cords facing each other, attach Long Brace (B) with Button Cap Screws (G) to top of each Leg. The Brace should have the lip on top, facing away from the Leg. **Do not tighten screws completely - allow them to slide left and right in brace.**
- b** Turn leg assembly over and attach both Short Braces (C) with Button Cap Screws (G). **Do not tighten screws completely - allow them to slide left and right in brace.**

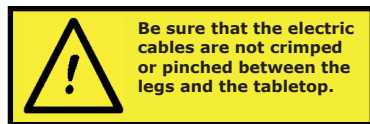


4 Attach Feet

- a** Attach Feet (F) to bottom of legs with Flat Head Screws (P), using Allen Wrench (I) and tighten securely. **Be sure the longer end of the foot goes towards the front of the table.**



5 Attach Base to Tabletop and Tighten Screws

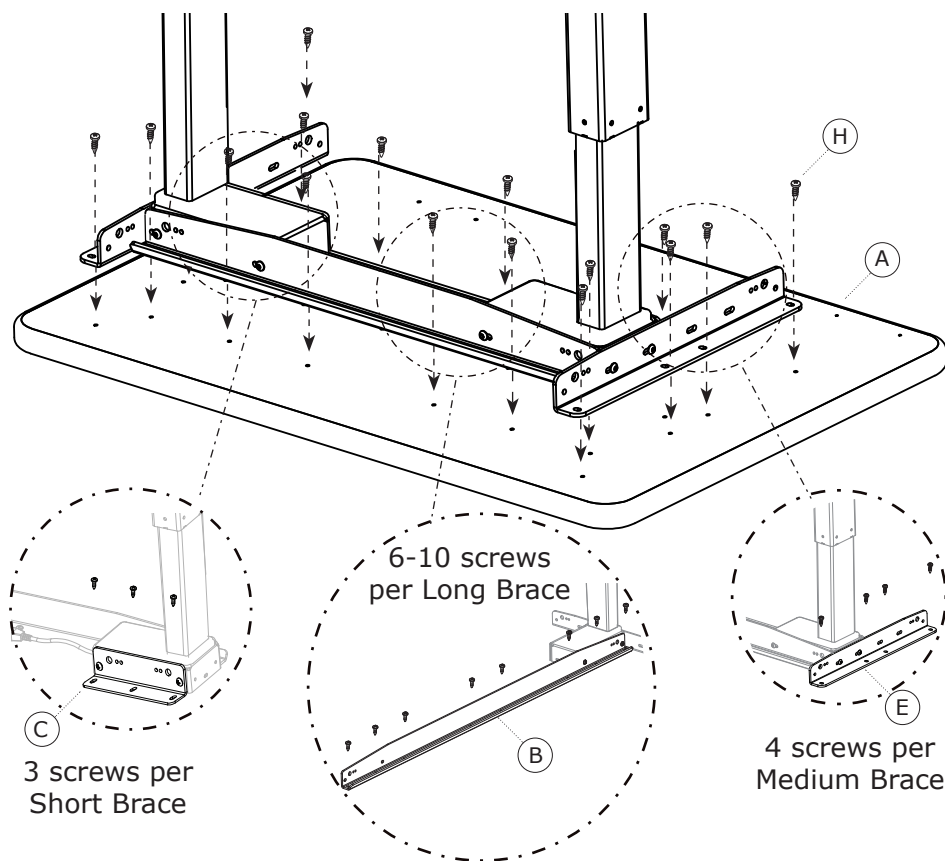


a If you have a Workrite tabletop:

Position frame assembly to align mounting holes to pre-drilled holes in Top (A) - it might be necessary to adjust braces - then attach loosely using Pan Head Screws (H). If you use an electric screwdriver, be sure it is on the lowest torque setting to avoid stripping the threads.

If you do not have a Workrite tabletop:

Center frame assembly horizontally on tabletop. Mark placement of mounting holes, then use drill bit to drill pilot holes at marked locations. **Do not drill all the way through tabletop!** Attach loosely to the base using Pan Head Screws (H).



b Tighten all screws in frame assembly.

c Tighten all screws connecting frame assembly to worksurface.

6 Attach Control Box to Tabletop

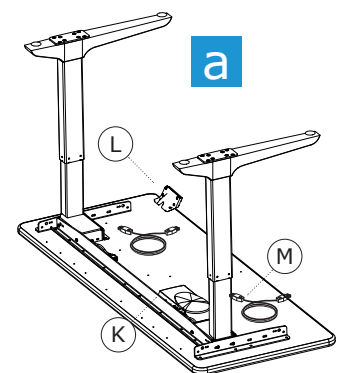
a Position Control Box (K).

If you have a Workrite tabletop:

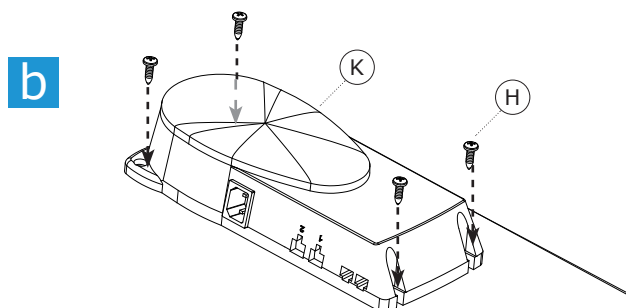
Locate the four pilot holes for the Control Box and proceed to Step b.

If you do not have a Workrite tabletop:

Place Control Box (K) in position and use a pencil to mark pilot hole placement. Control Box should be placed towards rear center of tabletop. Lay out Switch (L) and Leg Cables (M) to be sure they all reach the Control Box. Remove Control Box and drill pilot holes where marked.



b With Control Box positioned over pilot holes, attach with four Pan Head Screws (H) as shown.

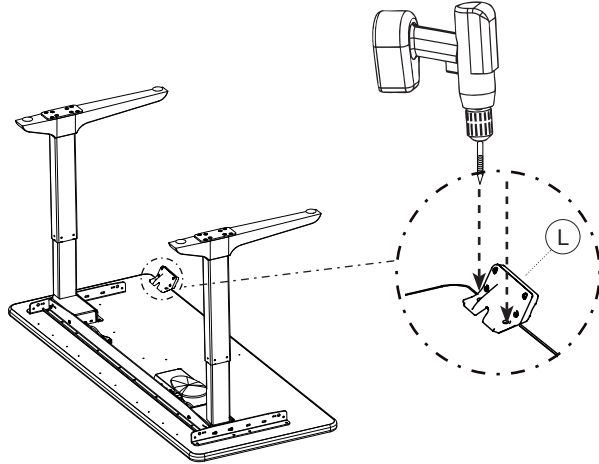


7 Attach Switch

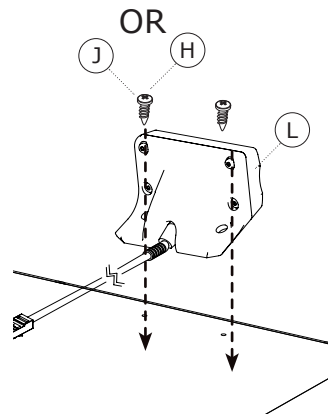
a **If you have a Workrite tabletop:**
Position the switch over the pilot holes near front edge of tabletop.

If you do not have a Workrite tabletop:

For non-Workrite tabletops, align Switch (L) so that outermost edge of switch is flush with edge of tabletop. Pre-drill screw pilot holes into underside of tabletop with $\frac{3}{32}$ " drill bit. Do not drill all the way through tabletop!



b Attach Switch (L) to underside of tabletop using two smaller (#8 x $\frac{5}{8}$ ") Sheet Metal Screws (J) For Silhouette tops, use 2 Type 23 Screws (H).



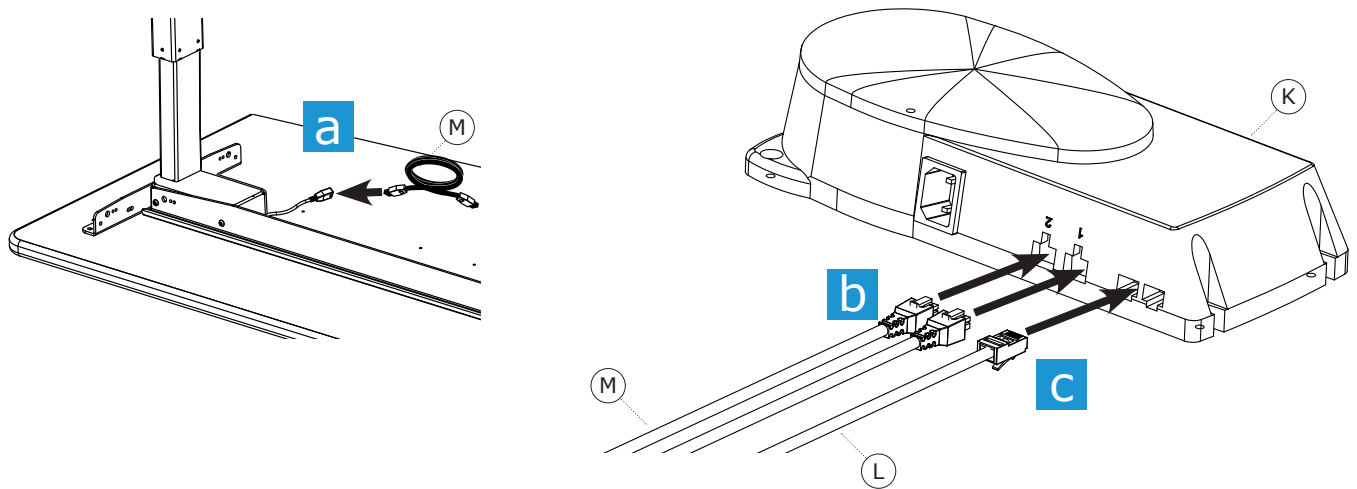
8 Attach Cable Spools and Velcro Tabs

Attach cable spools and Velcro® tabs to underside of tabletop as indicated in instructions contained within Cable Management Kit (M). If you do NOT have a Workrite tabletop, mount cable spools in a convenient location between legs and control box.

REFER TO INSTRUCTIONS AND DIAGRAMS THAT COME WITH THE CABLE MANAGEMENT KIT.

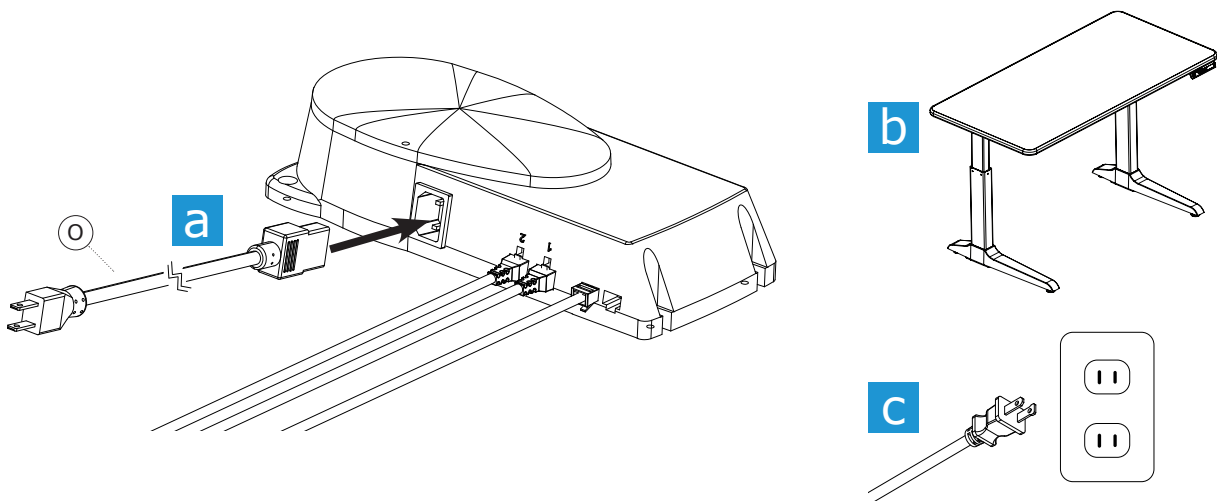
9 Connect Leg Cables to Control Box

- a** Connect Leg Cables (M) to Legs.
- b** Insert the Leg Cables into the terminals labeled 1 and 2 on the side of the Control Box (K).
- c** Insert the Switch (L) cable into the left of the two remaining terminals.



10 Connect Power to Control Box and put workcenter upright

- a** Connect the Power Cord (O) to the Control Box.
- b** Turn the table over into an upright position.
- b** Plug the Power Cord into the power outlet.

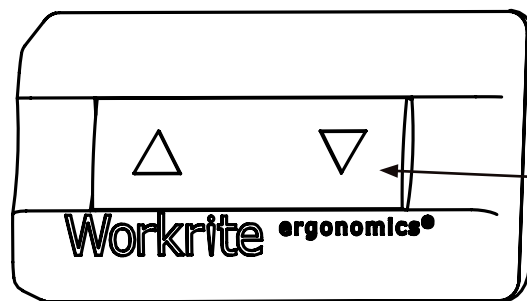


11 Adjust Leveling Guides

If necessary, adjust leveling guides on table feet to level the worksurface.

12 Initialize Legs

After all legs and the switch are connected, and the power cord has been plugged in, hold the **down** arrow on the switch until the legs make a short motion down and then back up. This initializes and synchronizes the table legs.



Cleaning instructions

To clean the Sierra HXL legs, apply cleaner to a soft cloth.

Suggested cleaners:

- Windex
- Formula 409

—Do NOT use solvents

—Do NOT saturate or spray cleaners directly to table base