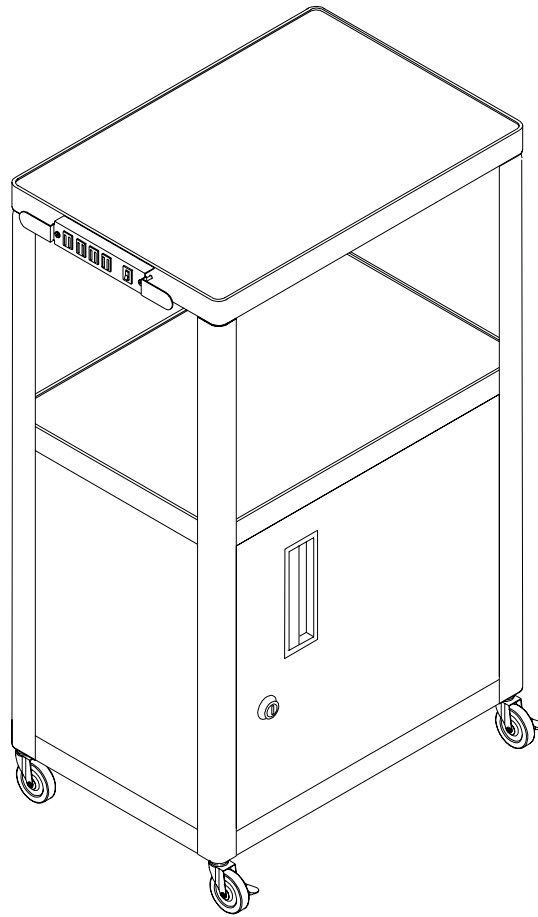




Assembly Instructions

#85992

Adjustable Height Utility Cart with Locking Storage Cabinet



Parts List

- 1 Top Shelf Section with decal (24" x 18")
- 1 Bottom section with Cabinet (24" x 18")
- 1 Ribbed mat
- 8 Phillips head bolts
- 8 Hex nuts
- 2 4" Casters with brakes
- 2 4" Casters

Electrical Assembly

- 1 Power Cord
- 1 Electrical bracket
- 2 Nuts and bolts

***Should you require assistance during assembly,
please call our Customer Service Department***

Monday - Friday 8 a.m. - 5 p.m.

Central Standard Time

Toll-Free Customer Service

1-800-749-2258

READ THROUGH INSTRUCTIONS FROM BEGINNING TO END BEFORE STARTING TO ASSEMBLE UNIT.

Illustration # 1

- 1.) Place the Top Section with decal on the floor with decal facing upward.
- 2.) Lay Two shelf bottom section below top section as shown in illustration #1.

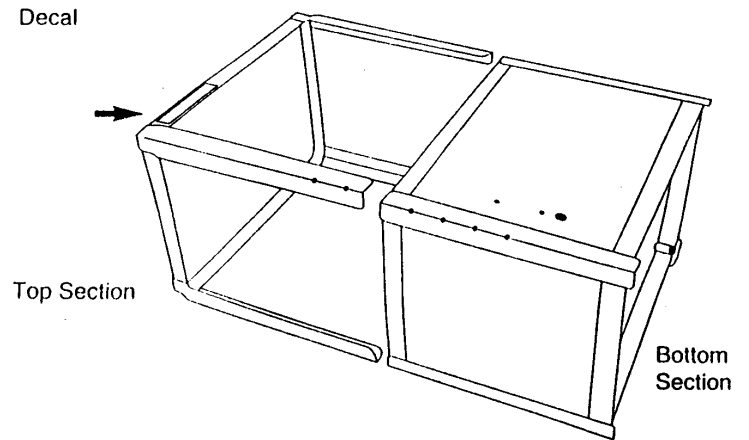
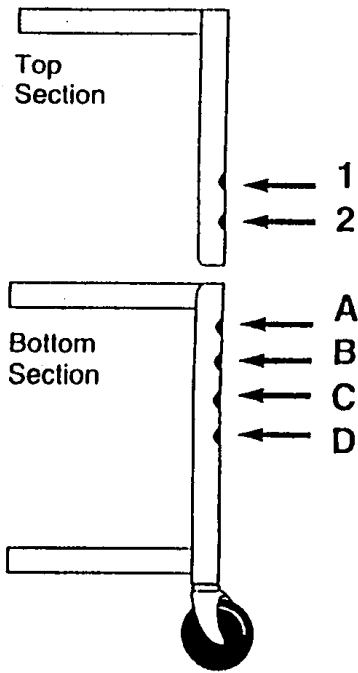


Illustration # 2

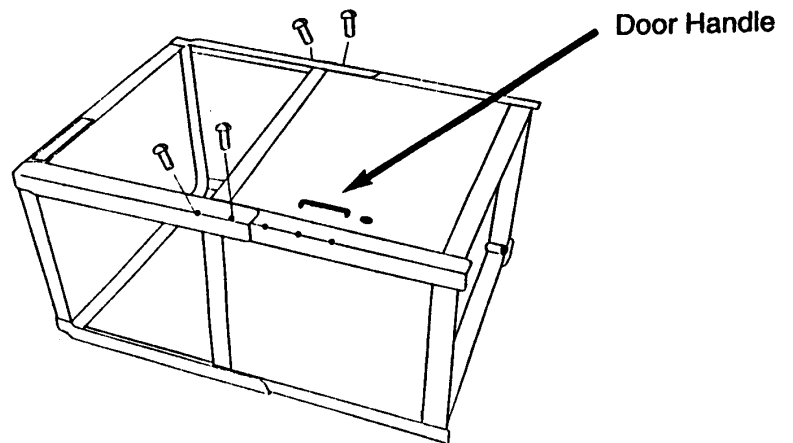


Desired Unit Height	Use These Corresponding Holes
26"	1 & D
30"	1 & C or 2 & D
34"	1 & B or 2 & C
38"	1 & A or 2 & B
42"	2 & A

- 3.) Align corresponding holes of unit to obtain desired height of top surface.

Illustration # 3

- 4.) Insert 2 bolts and nuts into each leg of Cart. Tighten all bolts and nuts. Next, loosen door handle which is secured inside cabinet for shipping. Fasten handle to outside of the door.



- 5.) Lay unit on floor so decal on top shelf is facing upward. Insert casters with brakes into 2 adjacent corner holes in the bottom of the unit. Insert other casters into remaining holes of unit.

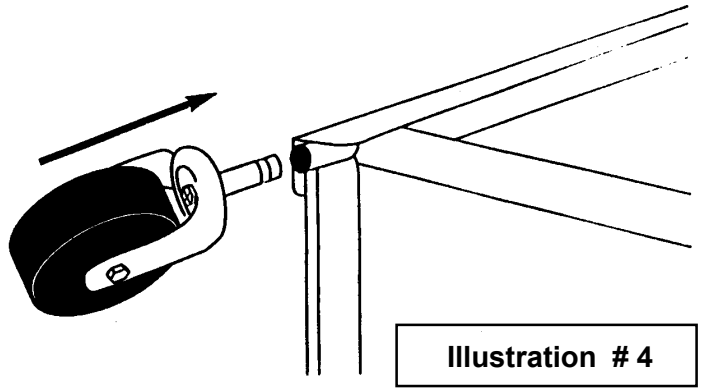
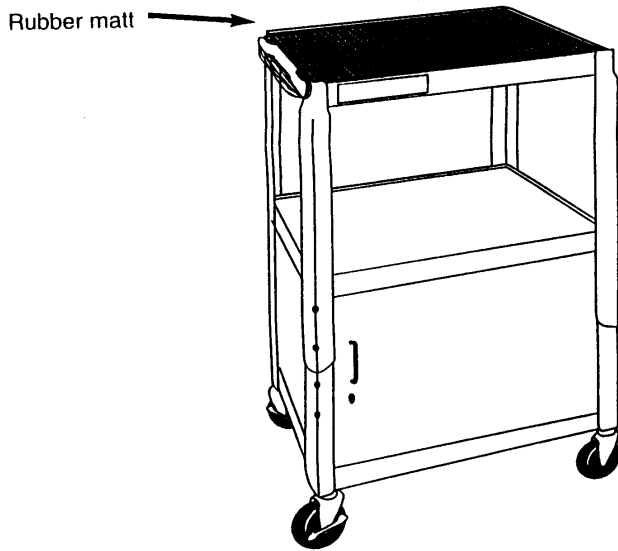


Illustration # 4

Illustration # 5



- 6.) Stand unit up onto casters and lay rubber mat into top shelf. Ribbed side of mat should be facing up.

WARNING: Do NOT PLUG IN ELECTRICAL OUTLET PRIOR TO COMPLETING STEPS 7 & 8.

Missing Parts or UPS Damaged Parts
 For Your Convenience you can EMAIL us at
furniture@baltinc.com
 24HOURS 7 DAYS A WEEK

- 7.) Slide Metal Bracket over the Electrical Outlet as shown. (note that Metal Stop is at the end with the electrical Plug-in.)
- 8.) Attach Metal Bracket to either end of the top shelf using 2 Phillips Head Screws and 2 Hex Nuts as shown in illustration #6.

Illustration # 6

