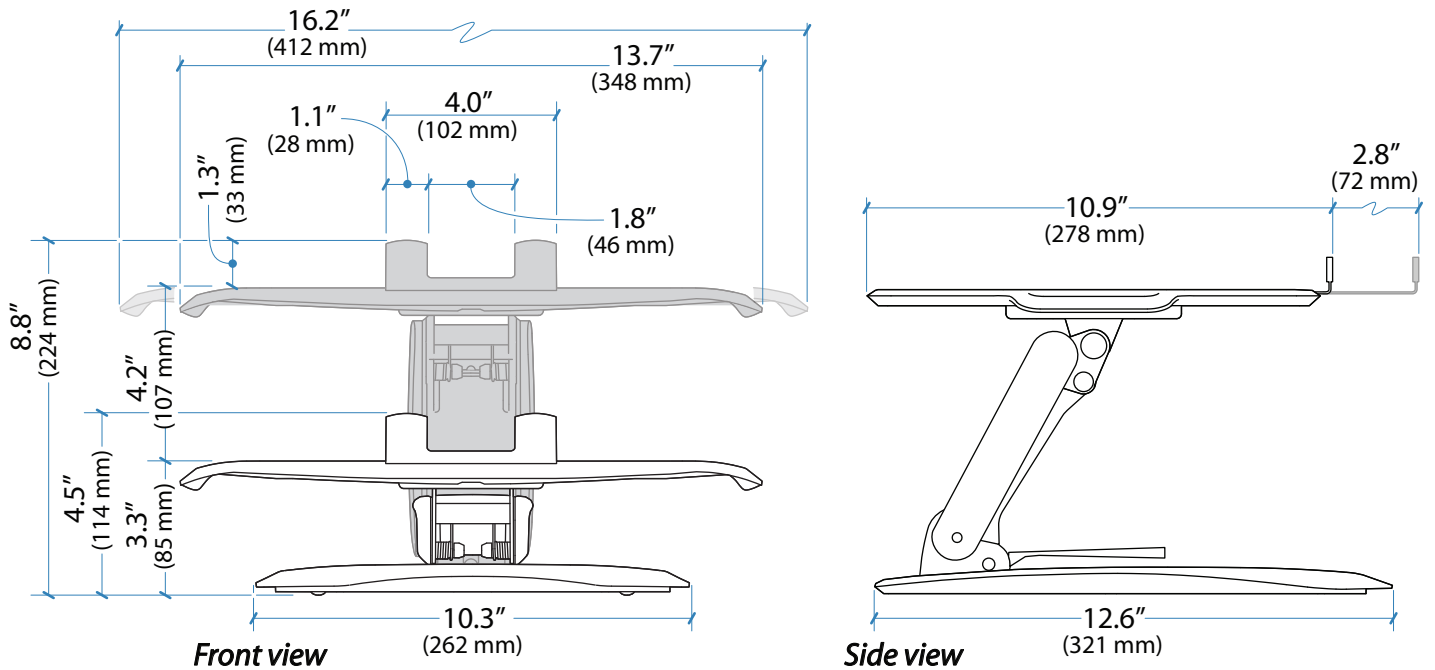
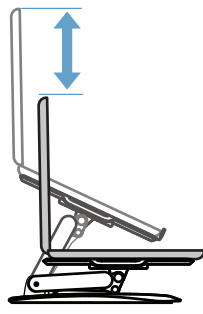


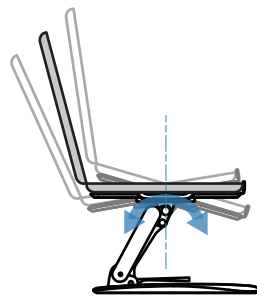
Notebook/Projector Lift Stand



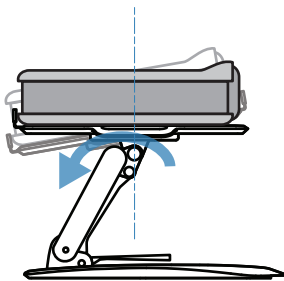
4.25" (108 mm) lift



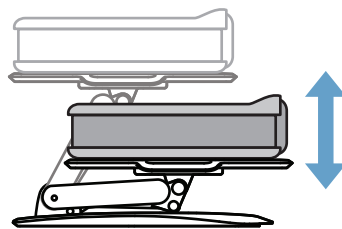
6.0" (152 mm) range of motion



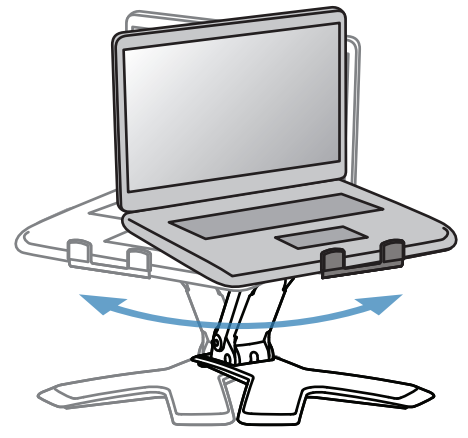
Tilt 25° forward and 15° back



15° upward tilt



4.25" (108 mm) lift



360° side to side rotation