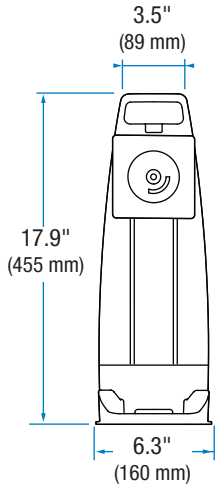


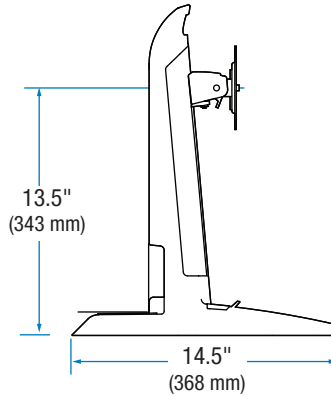
# Ergotron® Neo-Flex™

## Neo-Flex All-In-One Lift Stand: 33-326-055

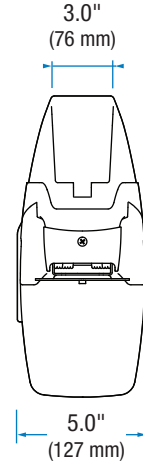
### Dimensional & Range of Motion Illustrations



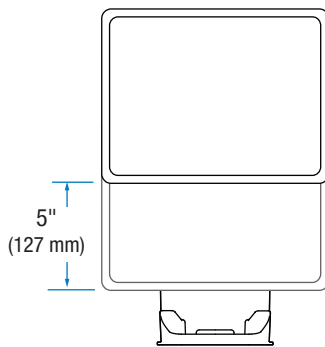
Front View



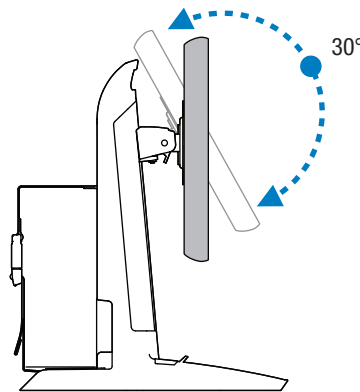
Side View



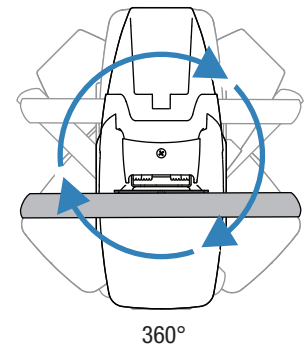
Top View



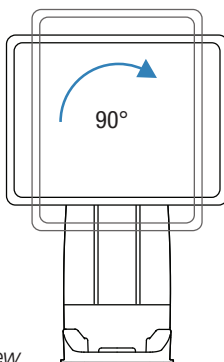
Front View



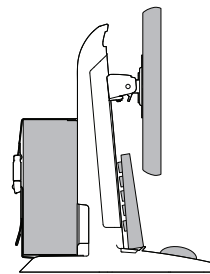
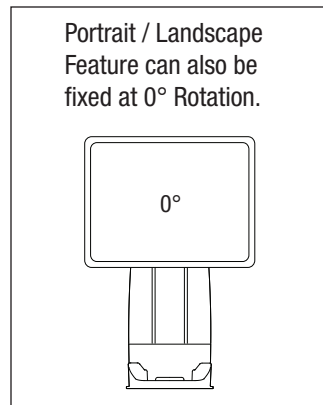
Side View



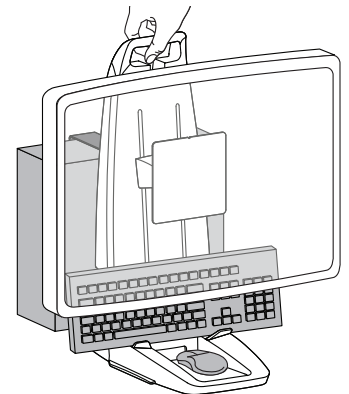
Top View



Front View



Side View



© 2008 Ergotron, Inc. rev. 1/2/2008 DIM-074-D Content is subject to change without notification

#### Americas Sales and Corporate Headquarters

St. Paul, MN USA  
(800) 888-8458  
+1-651-681-7600  
www.ergotron.com  
sales@ergotron.com

#### EMEA Sales

Amersfoort, The Netherlands  
+31 33 45 45 600  
www.ergotron.com  
info.eu@ergotron.com

#### APAC Sales

Singapore  
www.ergotron.com  
info.apac@ergotron.com

#### Worldwide OEM Sales

www.ergotron.com  
info.oem@ergotron.com

**Attention:** Listed allowable widths assume monitor thickness is 4" (102 mm). If monitor thickness is less, allowable width may be more. Contact Ergotron for details.