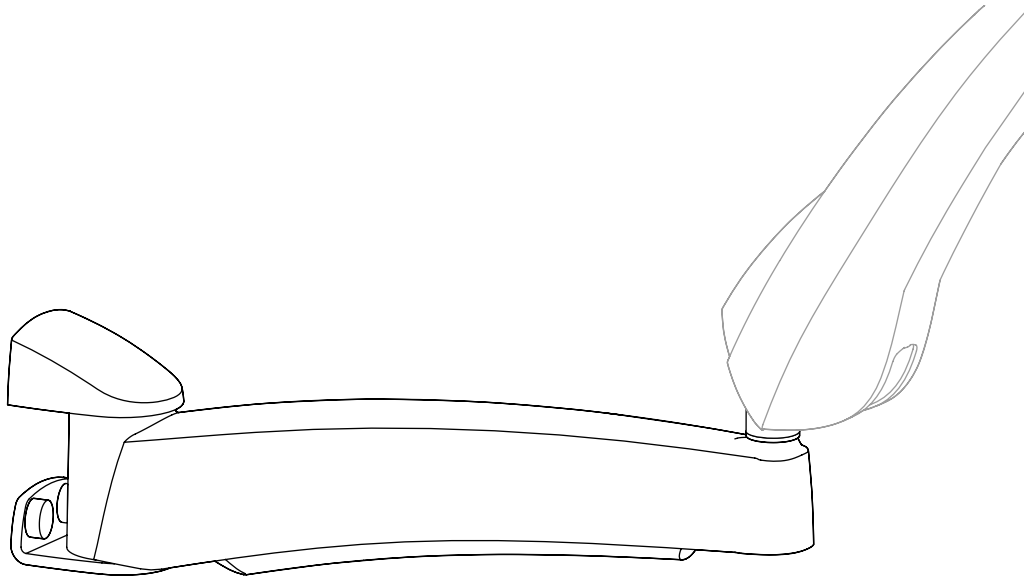
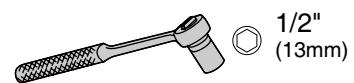
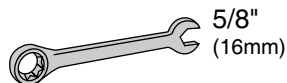
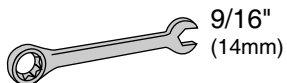


HD Series Extender Arm

Ergotron USA 1-800-383-1916
Ergotron Europe +31 20 312.29.39



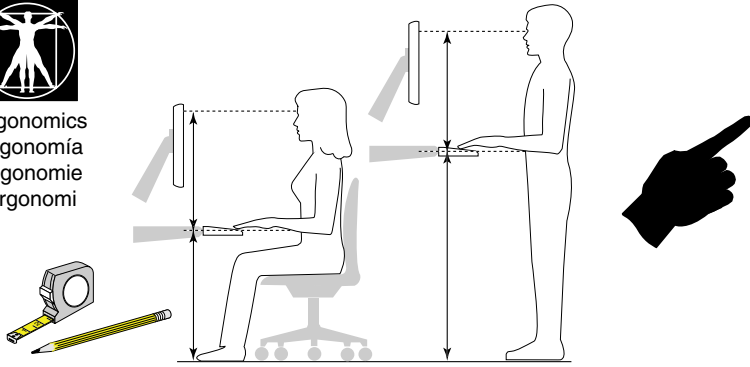
	A	B	C
1	1x 	1x 	1x
2	1x 	1x 	1x
3	1x 5/16-18 x 6"	1x 	2x
4	1x 5/16-18	1x 	1x



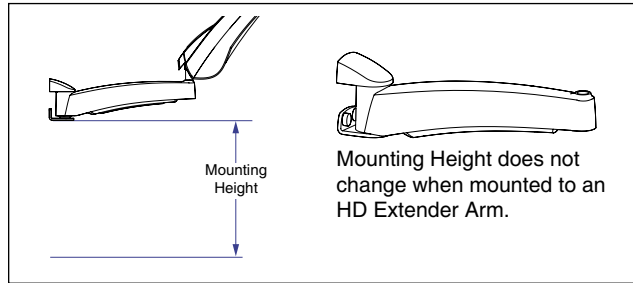
1



Ergonomics
Ergonomía
Ergonomie
Ergonomi

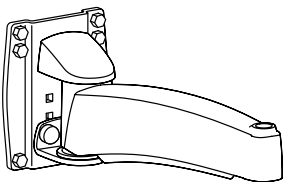


888-99-014



2

a

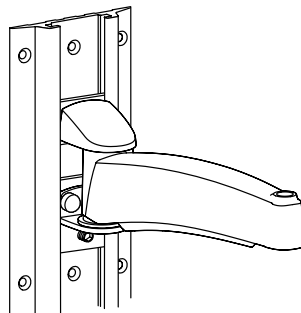


4x 3/8-16

2x



b



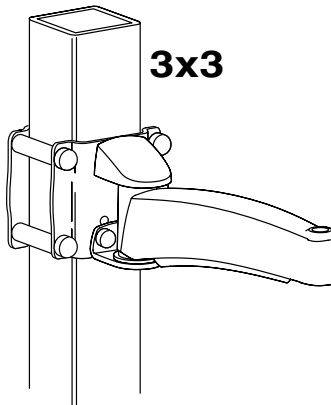
4x 3/8-16 x 3/4"

4x

2x



c



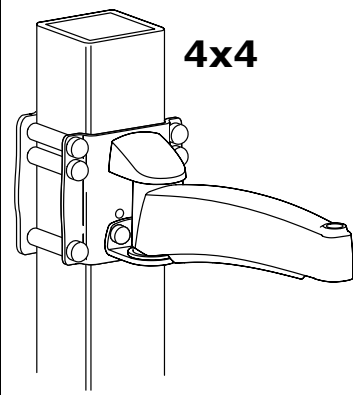
3x3

4x 3/8-16

2x



d



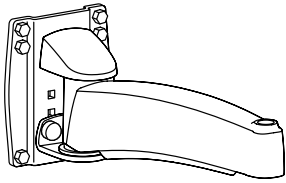
4x4

4x 3/8-16

2x

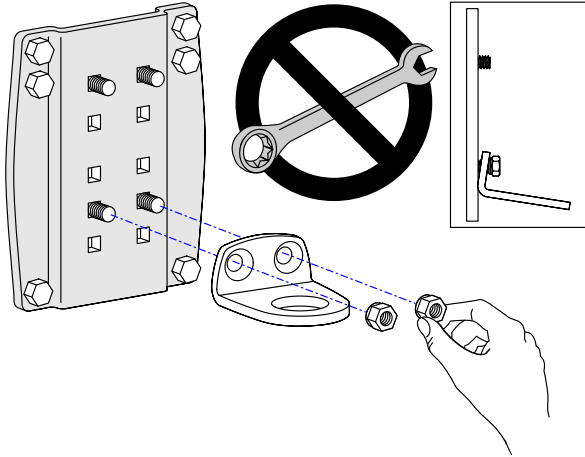


a

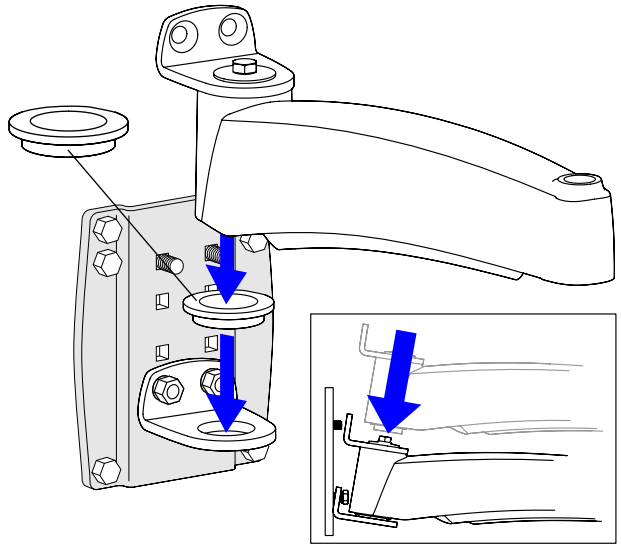


4x  3/8-16

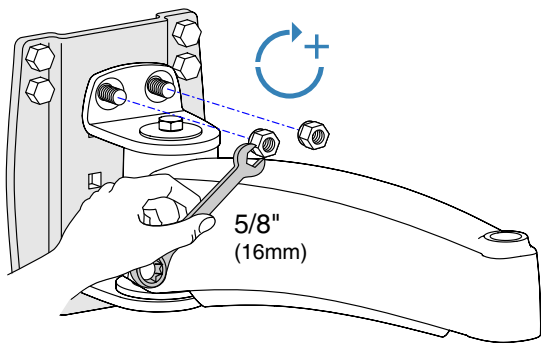
2x 



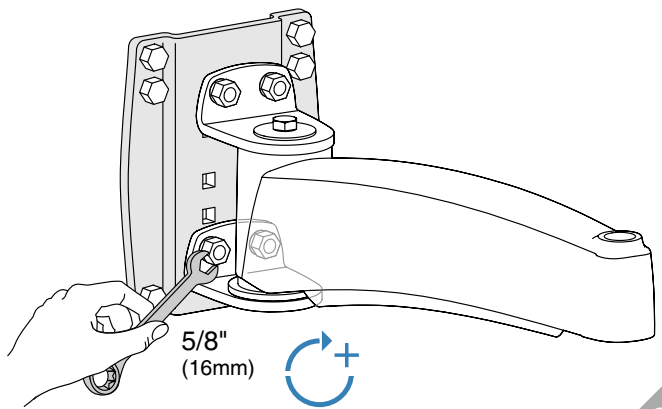
a1



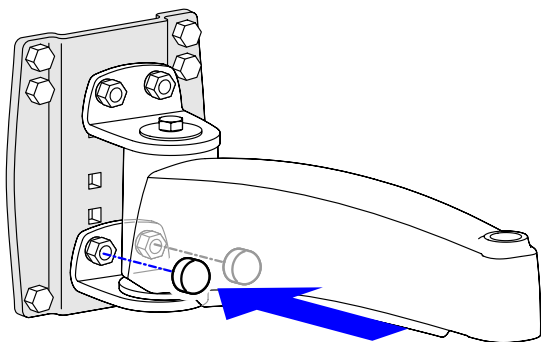
a2



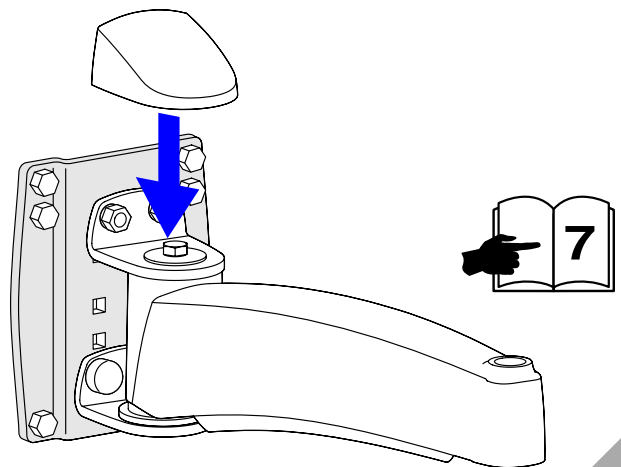
a3



a4

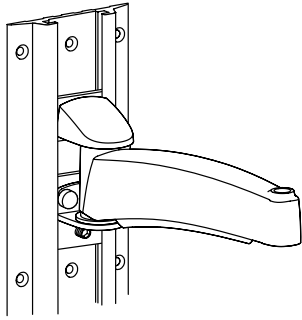


a5



a6

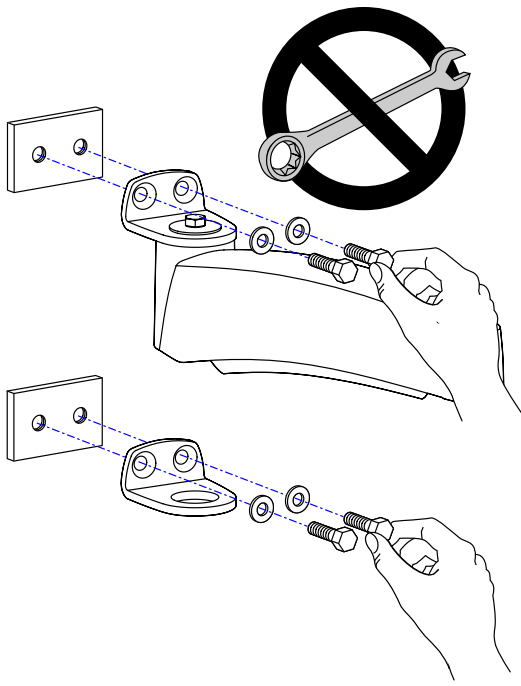
b



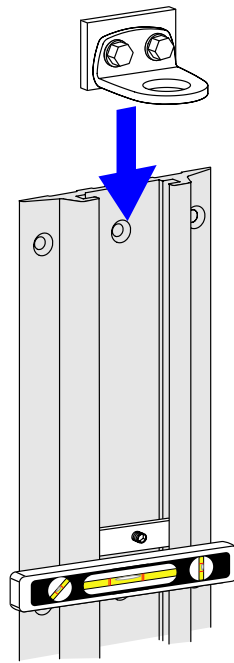
4x  3/8-16 x 3/4"

4x 

2x 

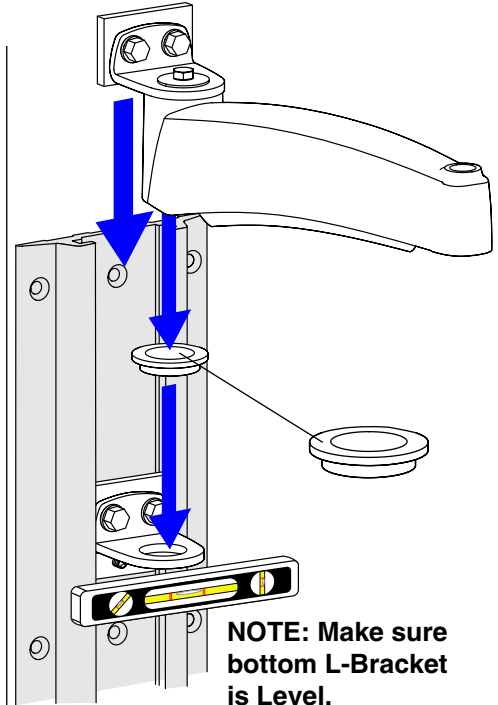


b1



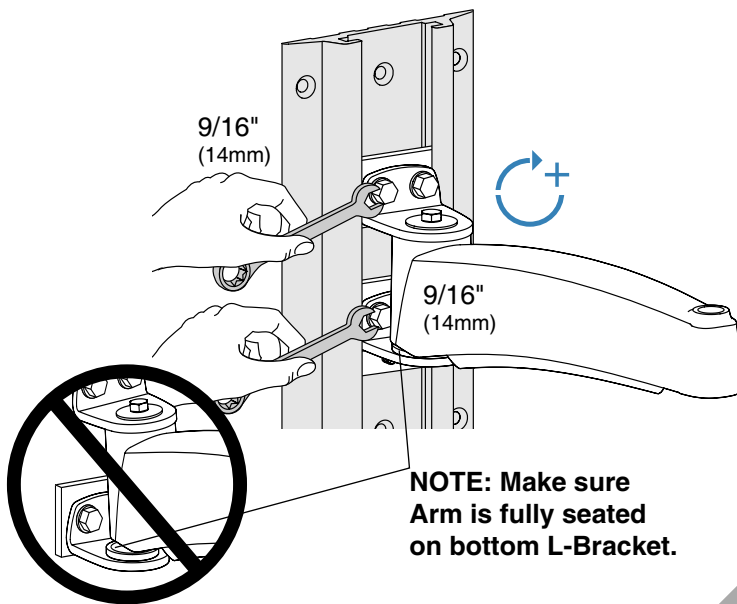
NOTE: Make sure Wall Track Bracket is Level.

b2



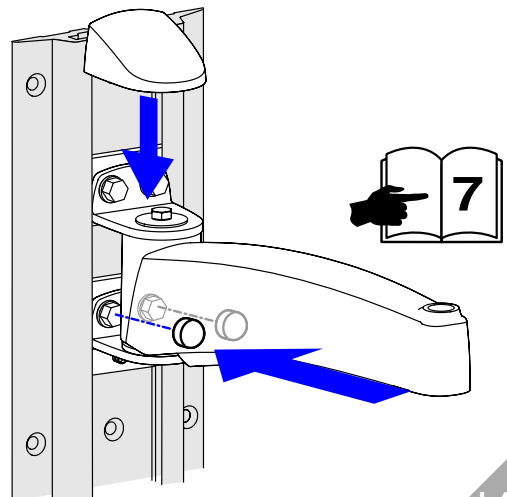
NOTE: Make sure bottom L-Bracket is Level.

b3



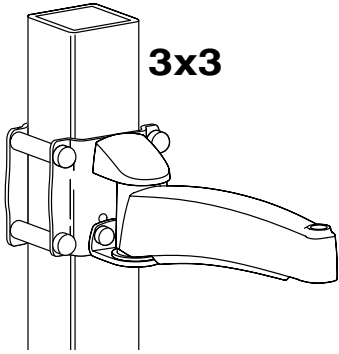
NOTE: Make sure Arm is fully seated on bottom L-Bracket.

b4




b4

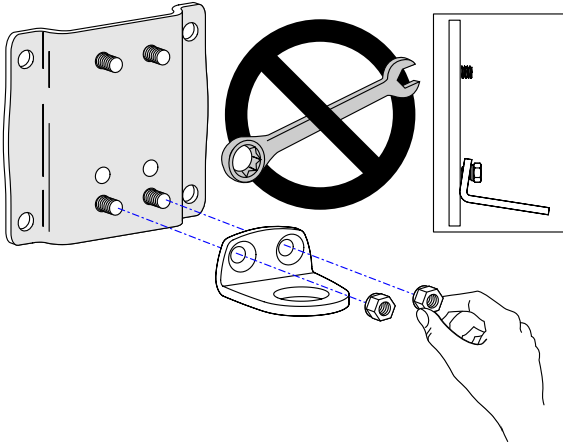
C



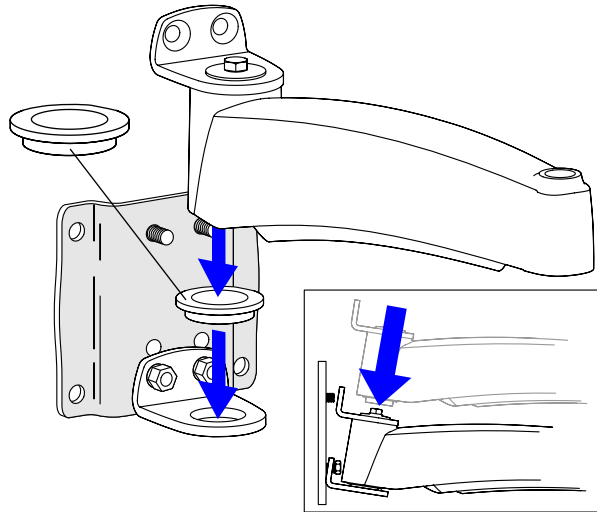
3x3

4x  **3/8-16**

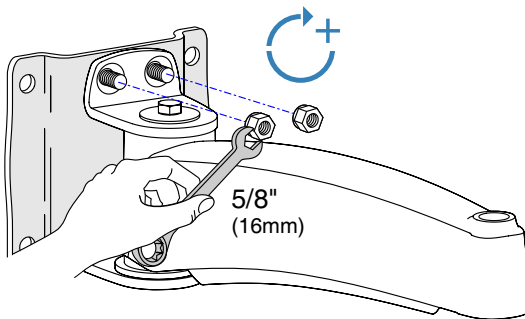
2x 



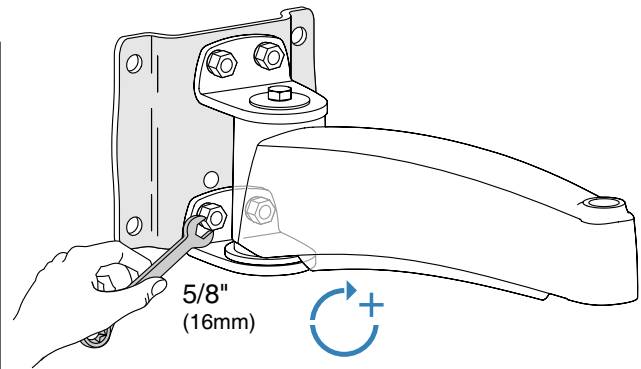
c1



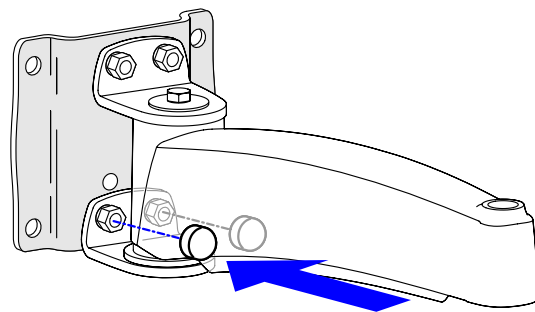
c2



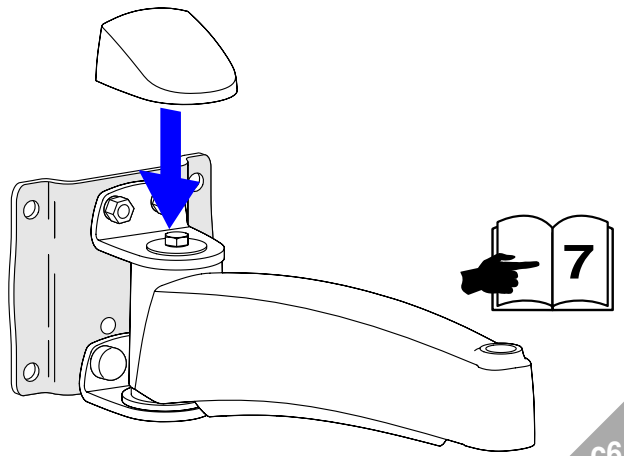
c3



c4

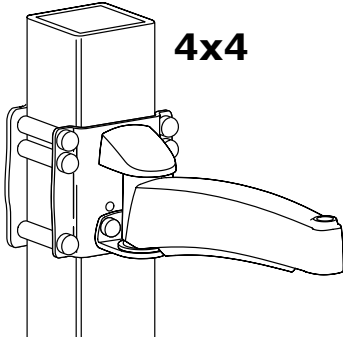


c5



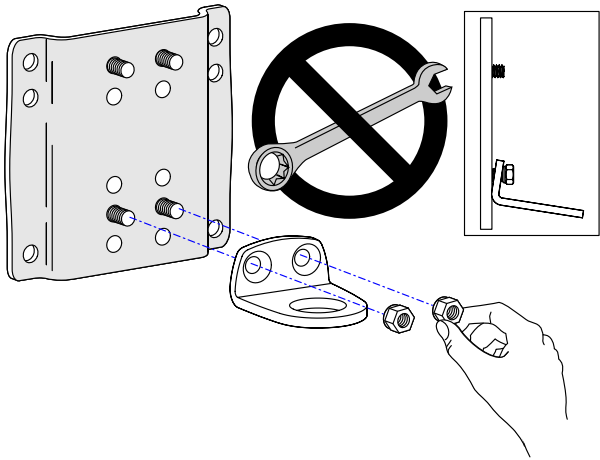
c6

d

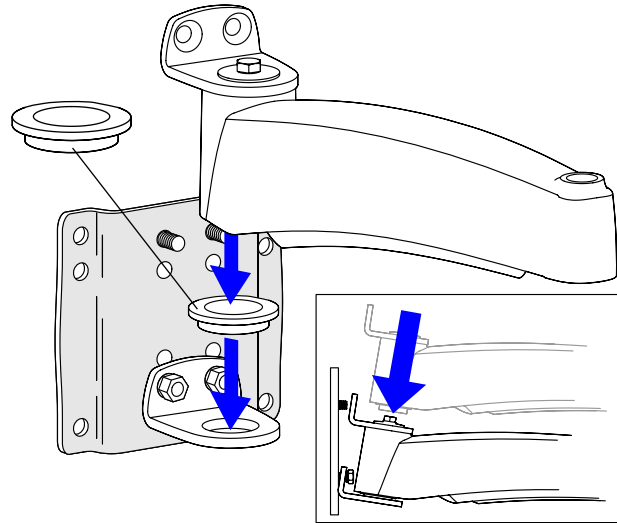


4x $\frac{3}{8}$ -16

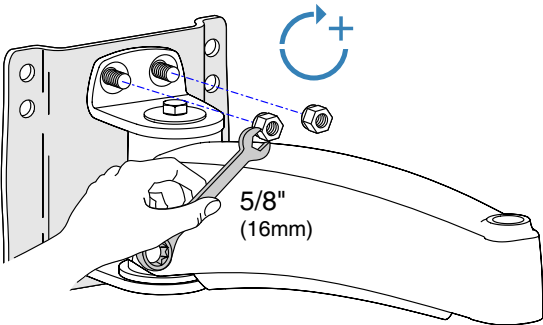
2x



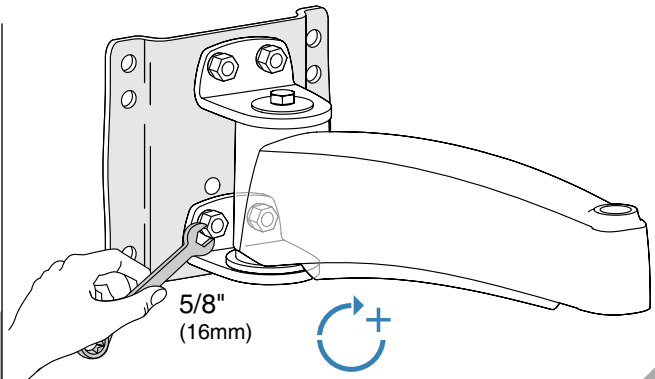
d1



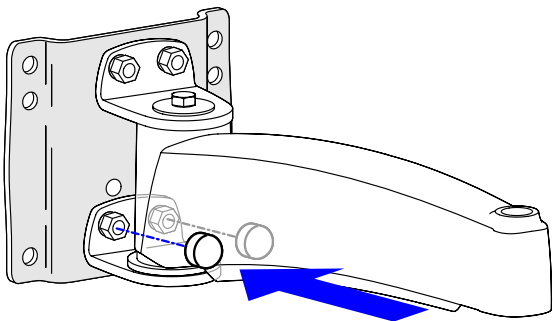
d2



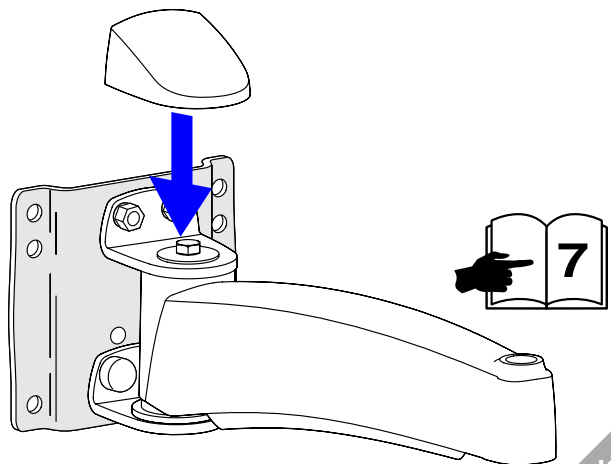
d3



d4

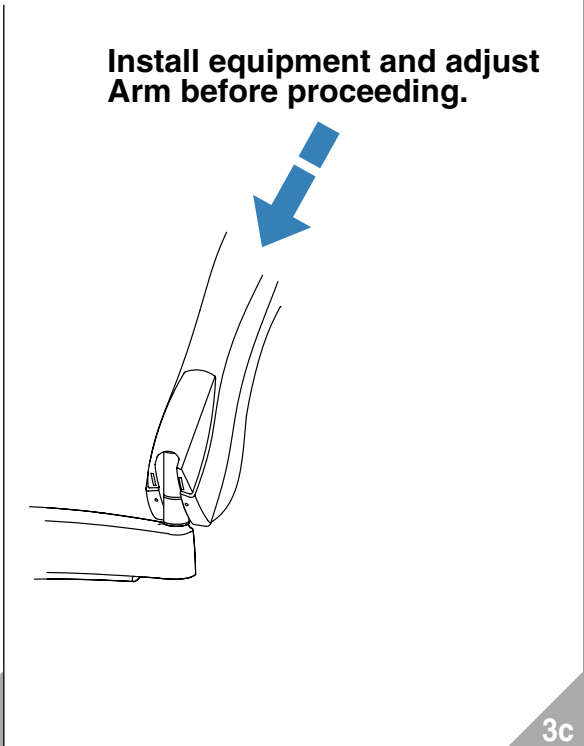
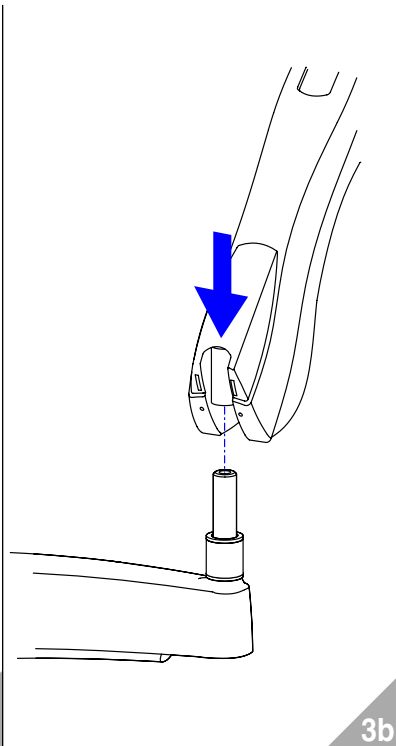
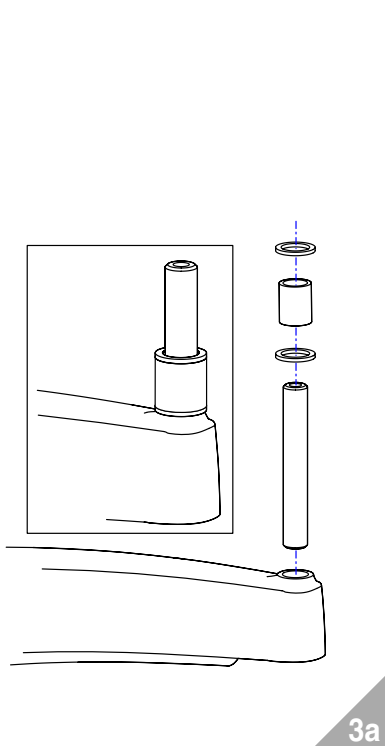


d5

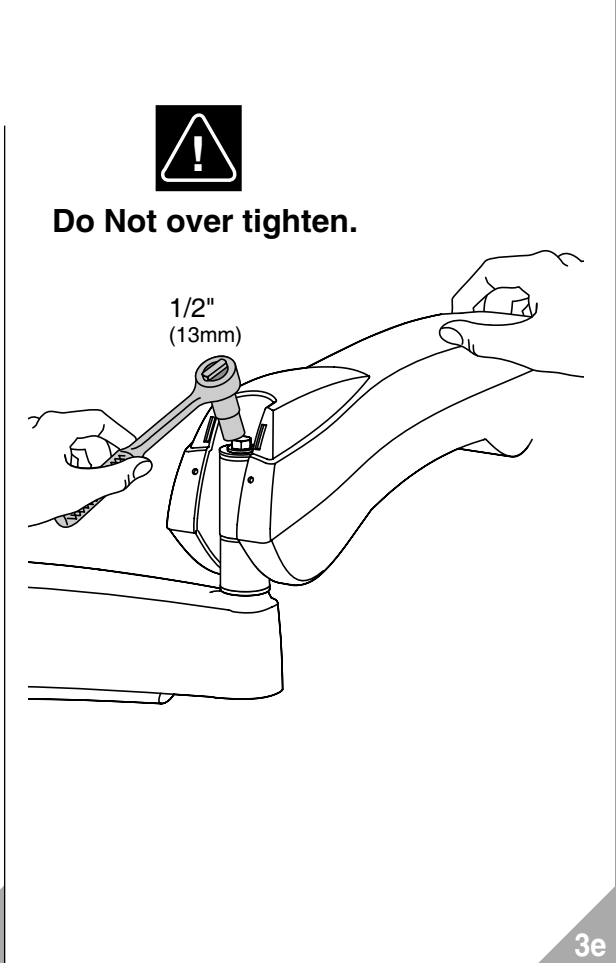
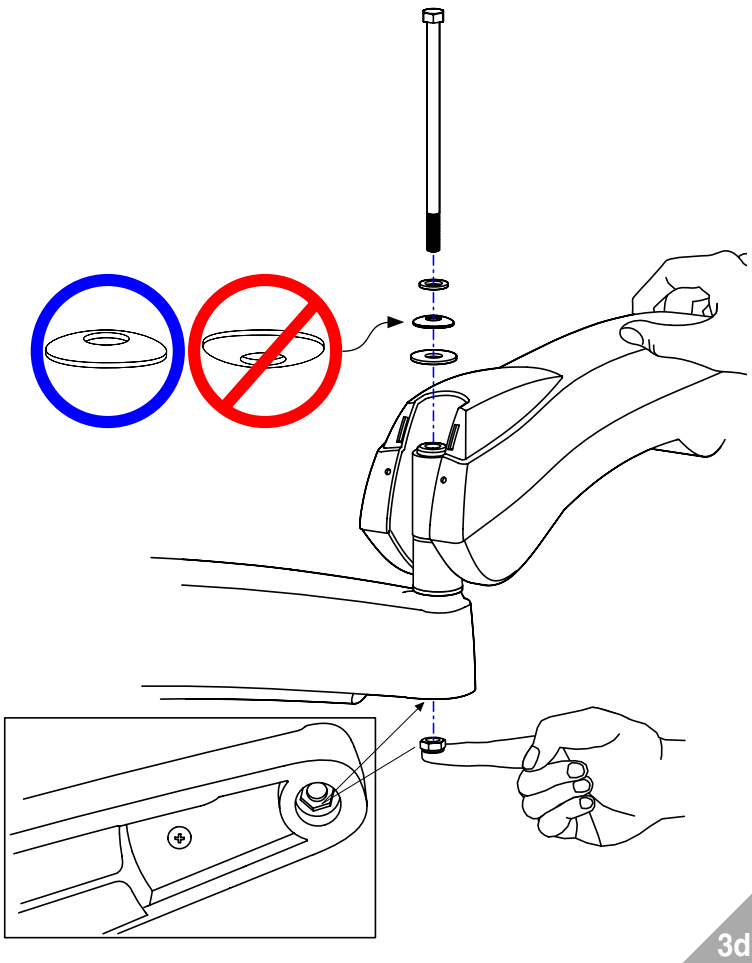


d6

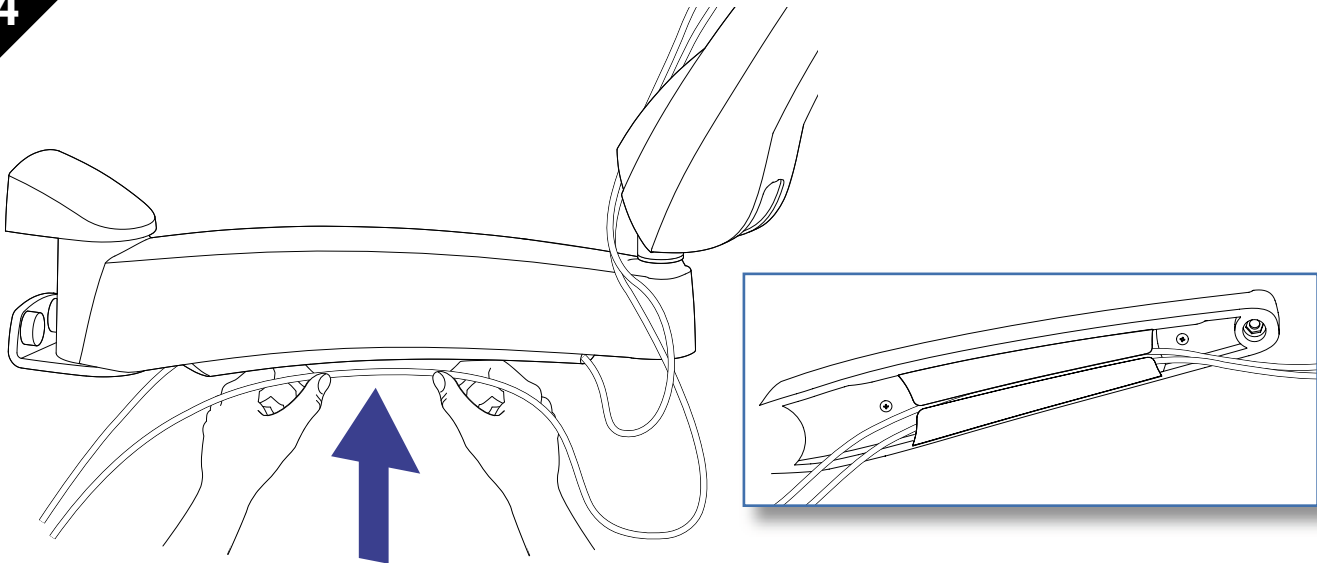
3



Install equipment and adjust Arm before proceeding.



4



Warranty

Ergotron warrants that its products will remain free of defects in material and workmanship for (5)-years.

Exclusive Remedy: If any Ergotron equipment is or becomes defective in material or workmanship during the warranty period, Purchaser must return the item to Ergotron with a written explanation of the defect. Ergotron will promptly repair or replace the item and ship it to Purchaser without charge to Purchaser. Performance of repair or replacement does not renew or extend the warranty period.

THIS REMEDY IS THE EXCLUSIVE REMEDY FOR BREACH OF WARRANTY AS TO THE EQUIPMENT, except in respect to personal injury. Purchaser shall give Ergotron immediate written notice of any personal injury resulting from use of Ergotron equipment.

Exclusions and Limitations: Ergotron disclaims liability for injuries or losses caused by or associated with installation or use of its equipment in any manner other than in strict conformance with the instruction sheets, technical bulletins or product literature, or by equipment that has been altered, damaged or misused.

Purchaser has not relied upon and Ergotron disclaims any and all warranties other than the expressed warranty stated above, subject to the exclusions and limitations provided herein. Ergotron disclaims all other warranties, expressed or implied, including but not limited to the warranties of merchantability and fitness for a particular purpose.

Ergotron further disclaims liability to purchaser and all others for all consequential, incidental and special damages caused by or in connection with the products, their use or misuse, and their performance or nonperformance.



© 2005 Ergotron, Inc. All rights reserved.

Patents Pending and Patented U.S. & Foreign. Ergotron is a registered trademark of Ergotron, Inc. Reproduction of this material in whole or part for any purpose other than that authorized by Ergotron, Inc. is prohibited.