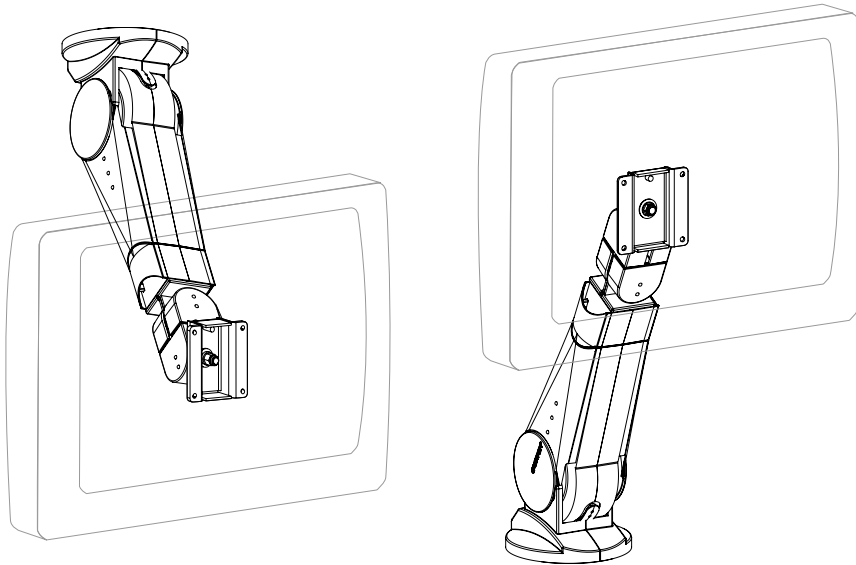



400 Series Flat Panel Monitor Arms & Keyboard Arms

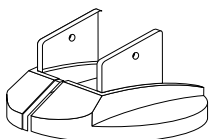
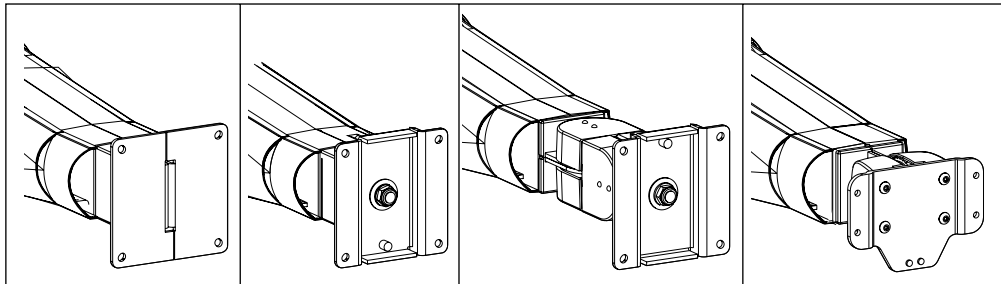
Horizontal Mount - Suspension & Surface



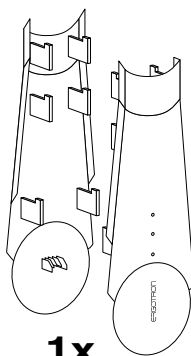

USA 1-800-888-8458
Europe +31 (0)33-45 45 600



1x



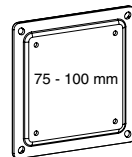
4x



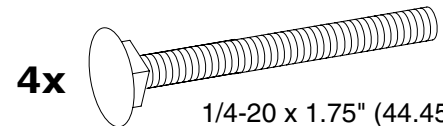
1x



#8-32



1x



4x

1/4-20 x 1.75" (44.45mm)



4x

1/4" (6.35 mm)



4x

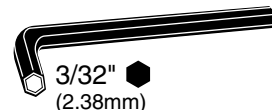
1/4" (6.35 mm) - 20



2x

#6-32x1/2"

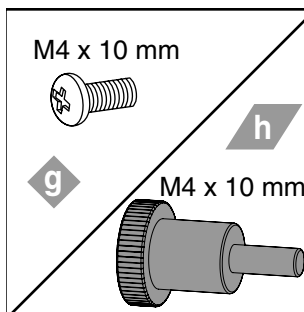
1x



3/32" (2.38mm)



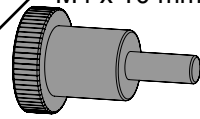
2x

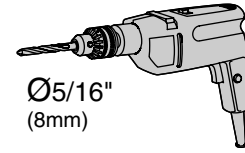
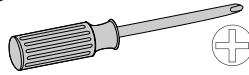
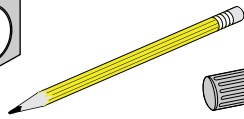
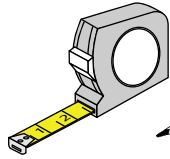
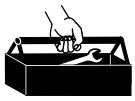


M4 x 10 mm



M4 x 10 mm

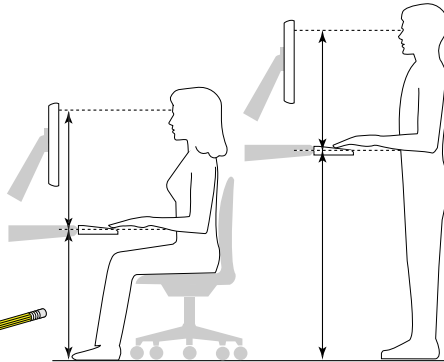
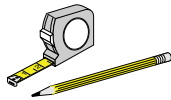




1



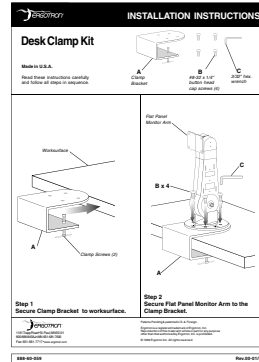
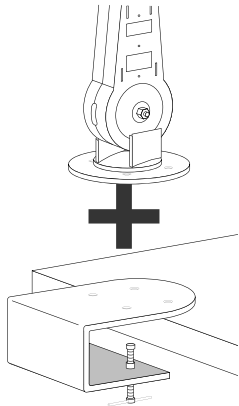
Ergonomics
Ergonomía
Ergonomie
Ergonomi



888-99-014

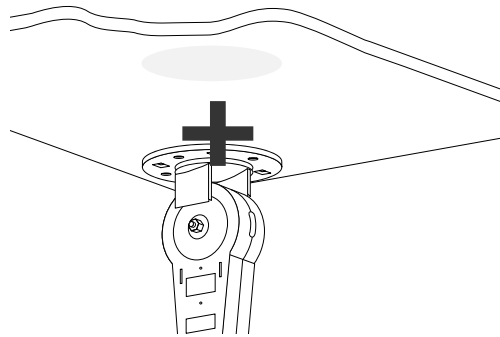
2

a

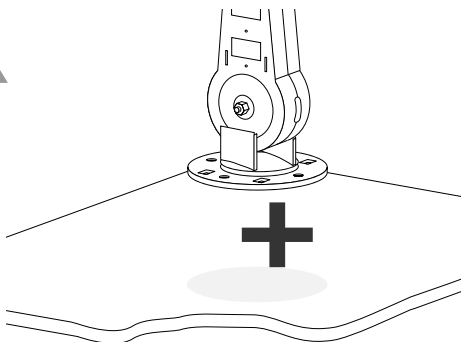


888-60-059

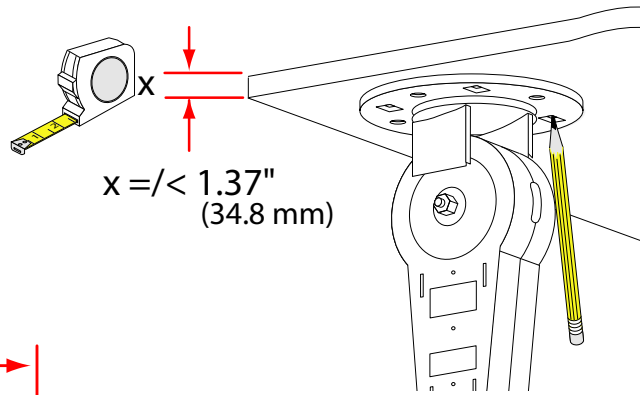
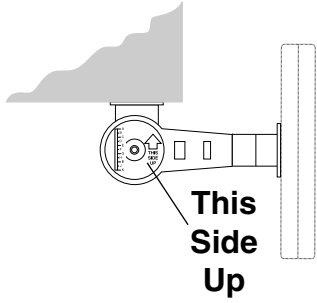
b



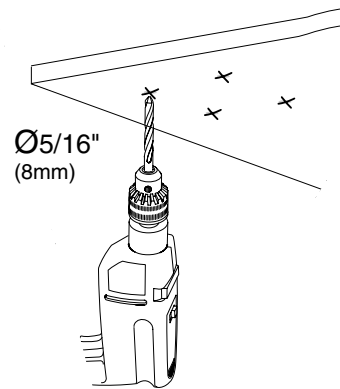
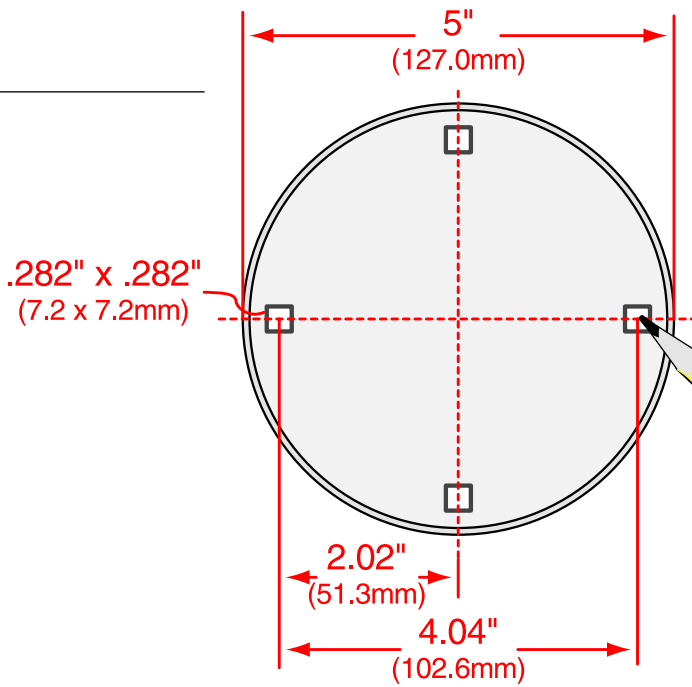
c



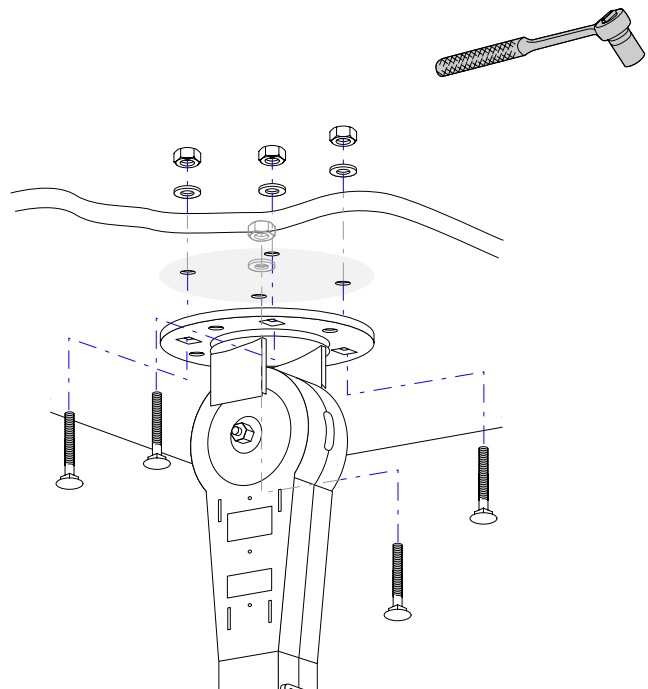
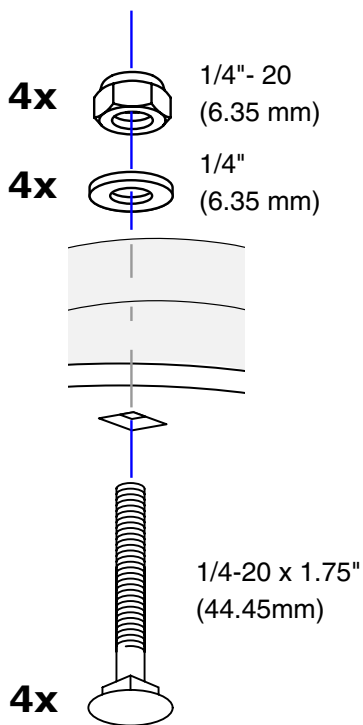
b



b1

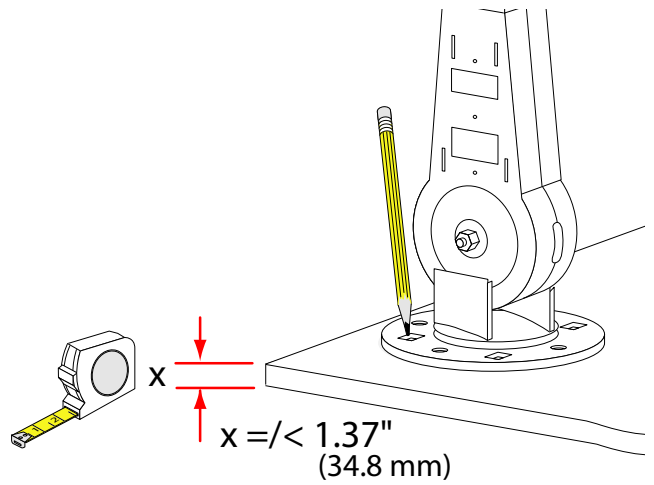
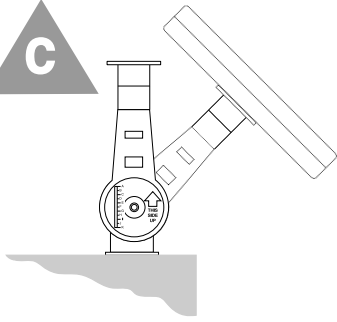


b2

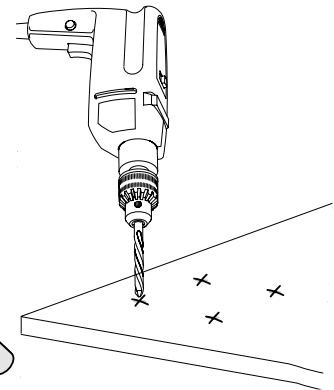
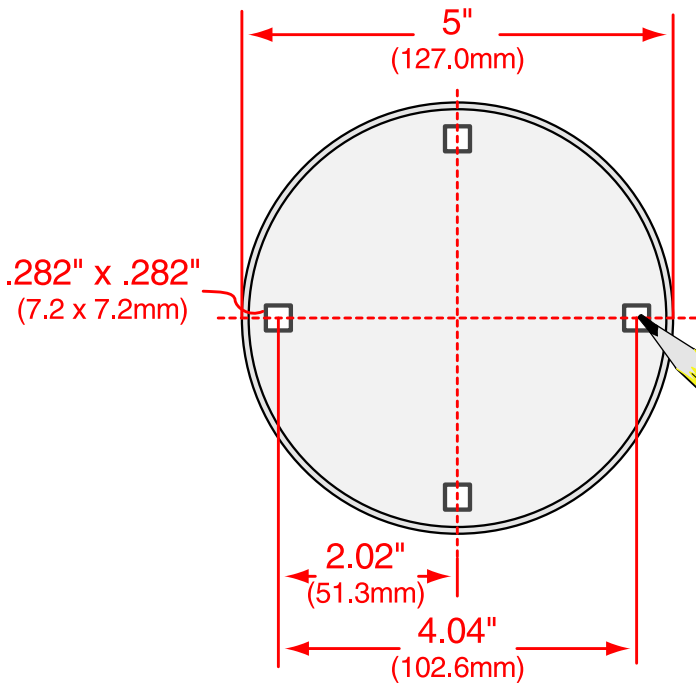


b3

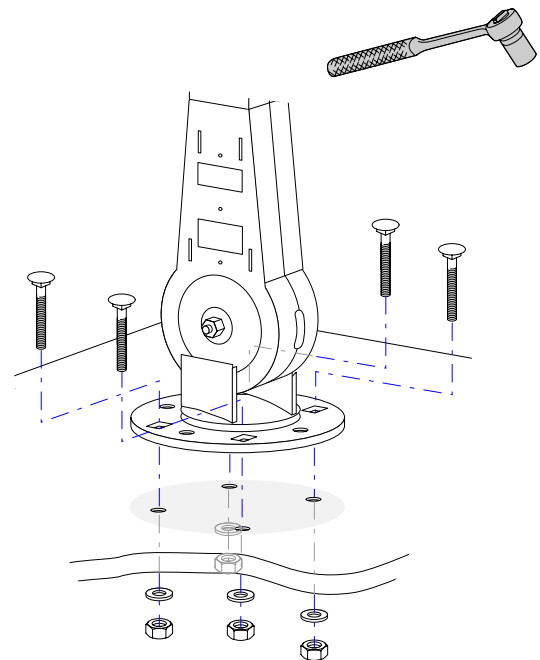
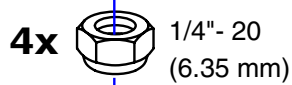
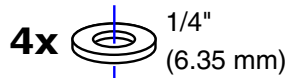
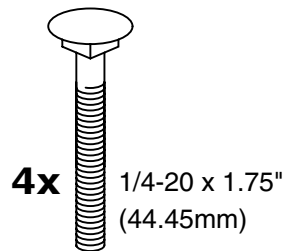
C



c1



c2



c3

e

75 mm

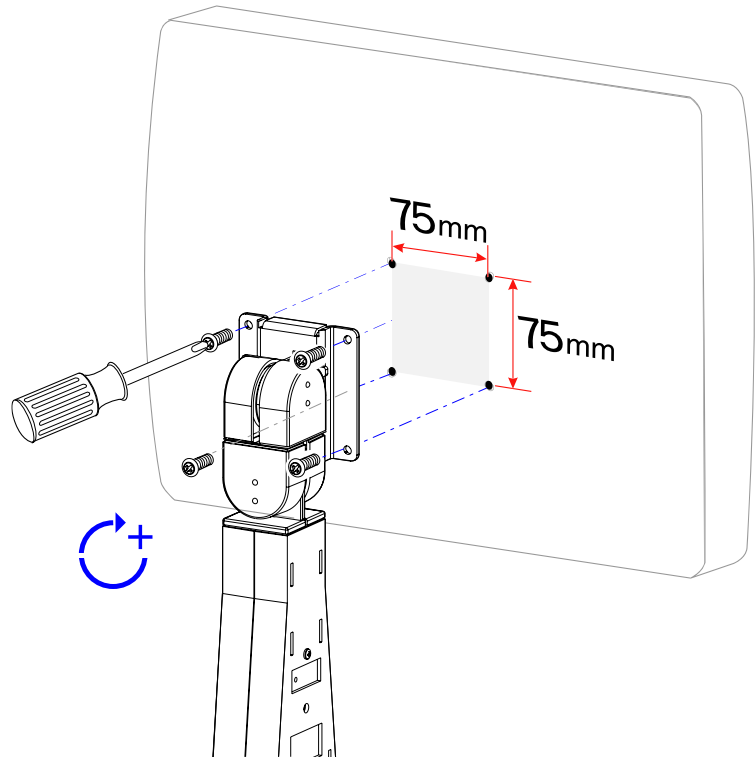
g

M4 x 10 mm



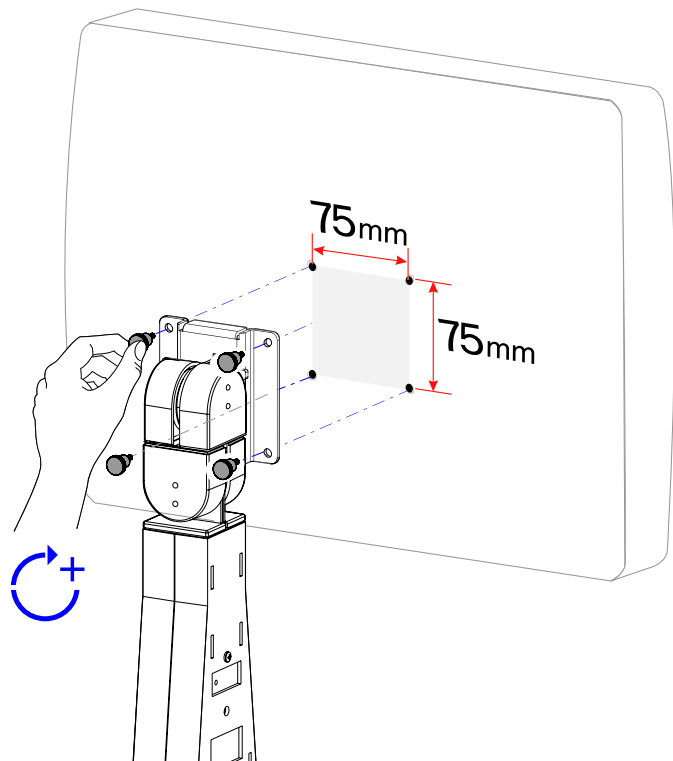
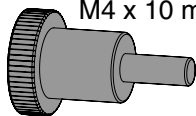
If your monitor uses a screw size other than M4 x 10mm, DO NOT use the M4 x 10mm screws or knob provided as they could result in damage to the monitor.

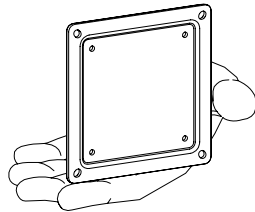
Indien uw monitor voorzien is van een ander type schroef dan de M4 X 10 mm, gebruik dan beslist niet de door Ergotron geleverde M4 X 10mm schroeven of schroefknoppen, want deze kunnen de monitor beschadigen.



h

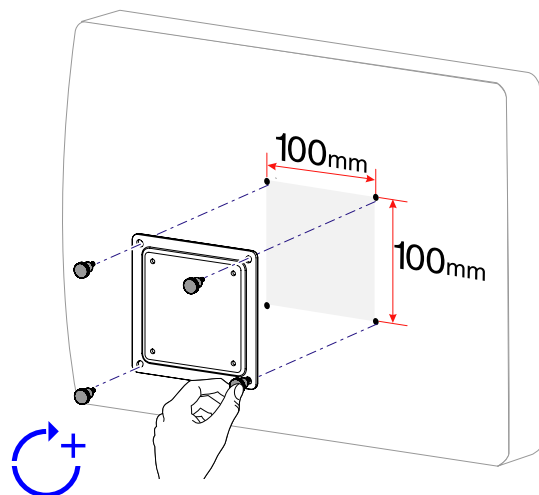
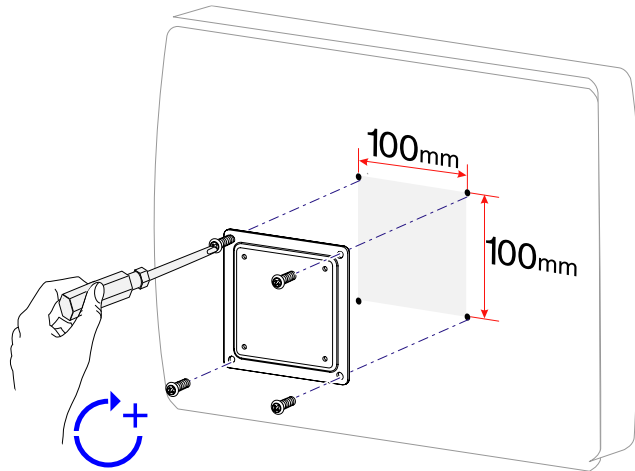
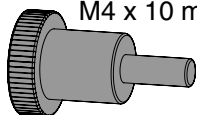
M4 x 10 mm



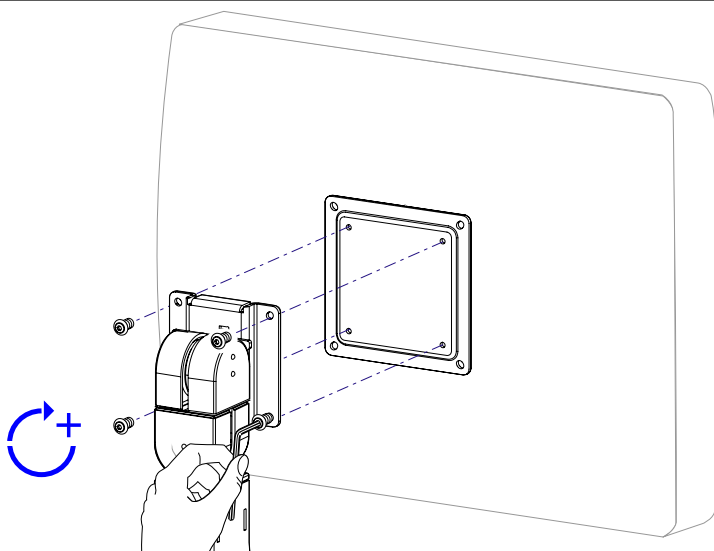
f**100 mm****g****M4 x 10 mm**

If your monitor uses a screw size other than M4 x 10mm, DO NOT use the M4 x 10mm screws or knob provided as they could result in damage to the monitor.

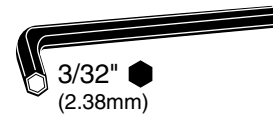
Indien uw monitor voorzien is van een ander type schroef dan de M4 X 10 mm, gebruik dan beslist niet de door Ergotron geleverde M4 X 10mm schroeven of schroefknoppen, want deze kunnen de monitor beschadigen.

h**M4 x 10 mm**

f1

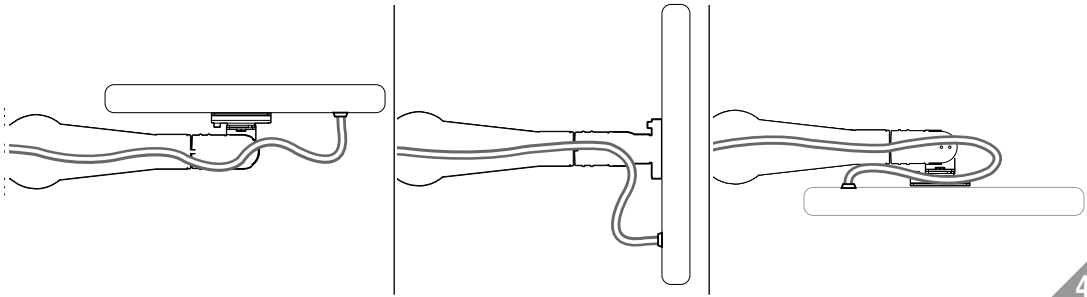
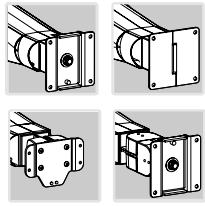
**4x**

#8-32

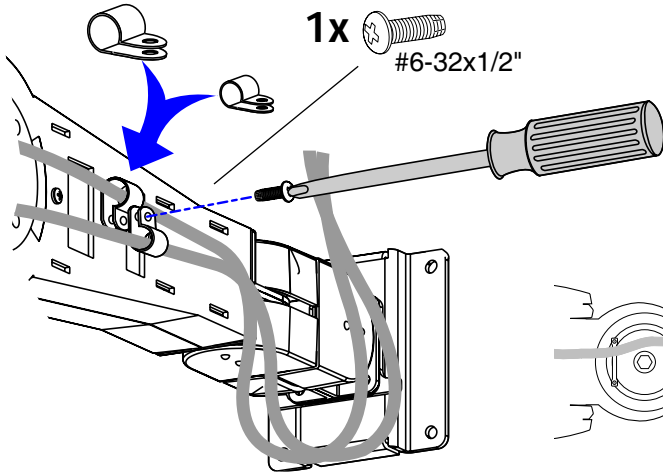
3/32"
(2.38mm)

f2

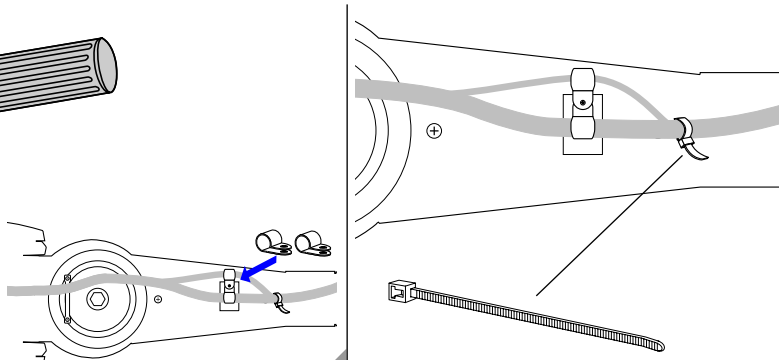
4



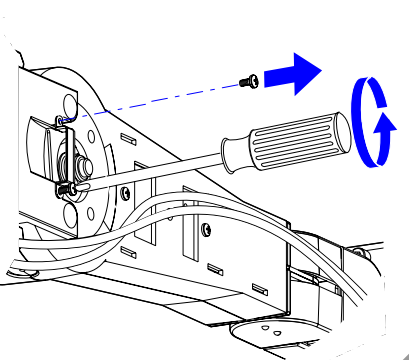
4a



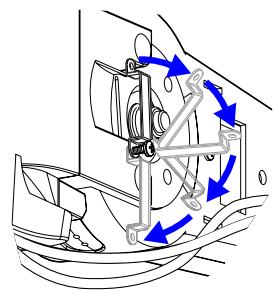
4b



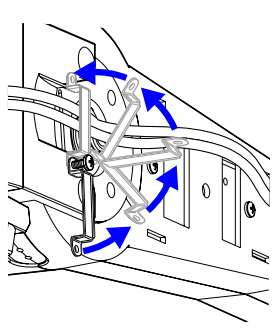
4c



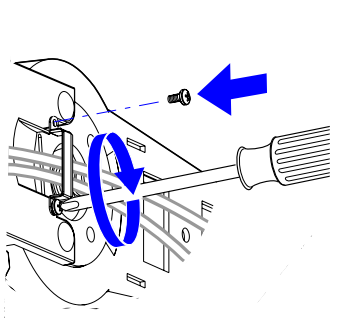
4d



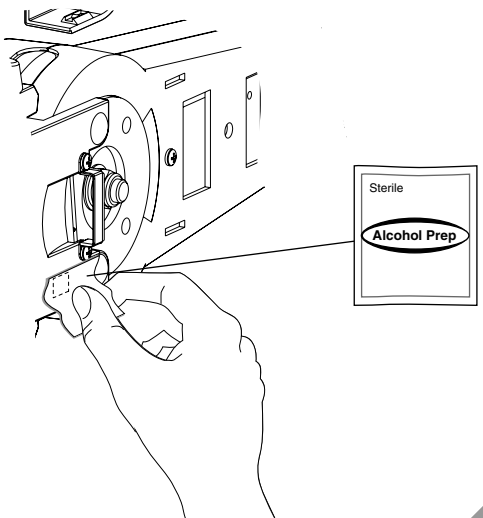
4e



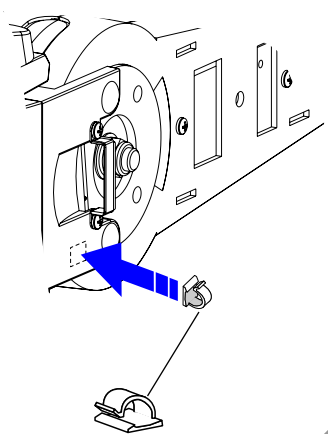
4f



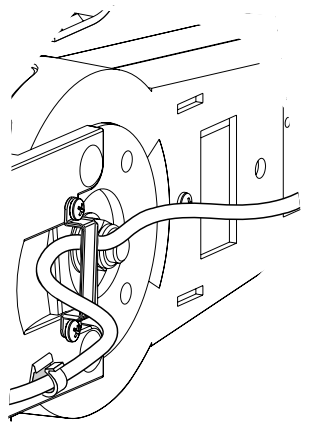
4g



4h

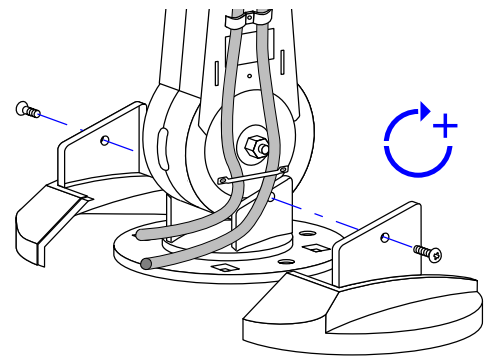
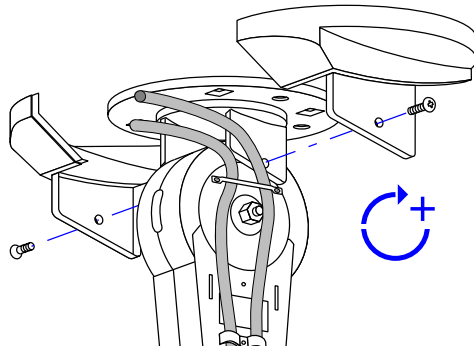
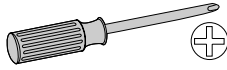
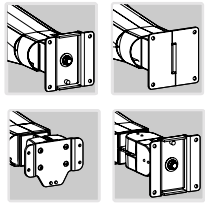


4i

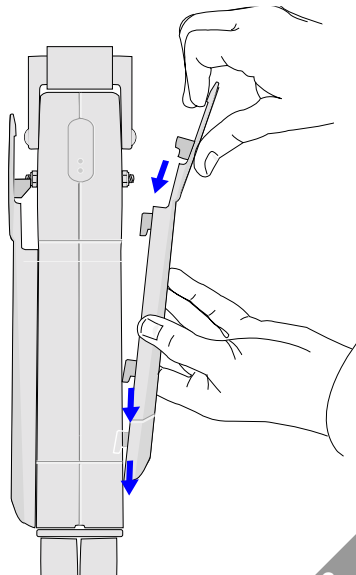
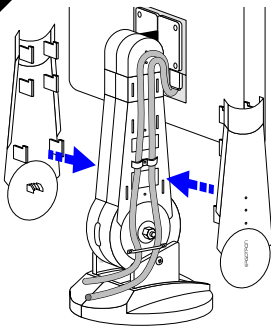


4j

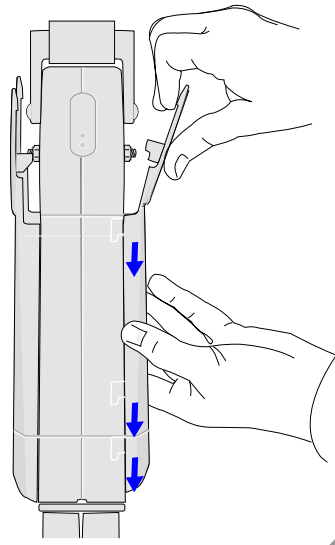
5



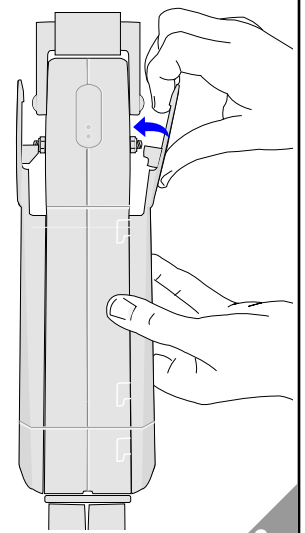
6



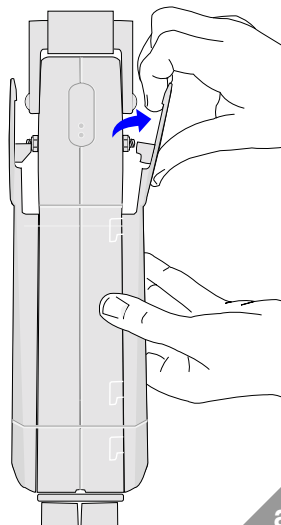
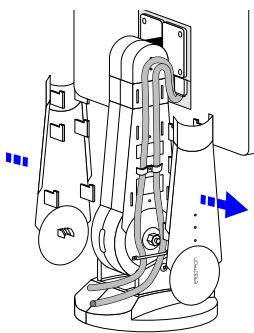
6a



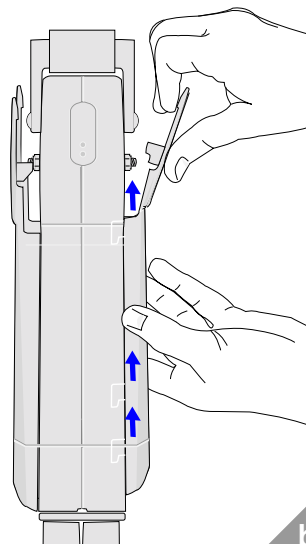
6b



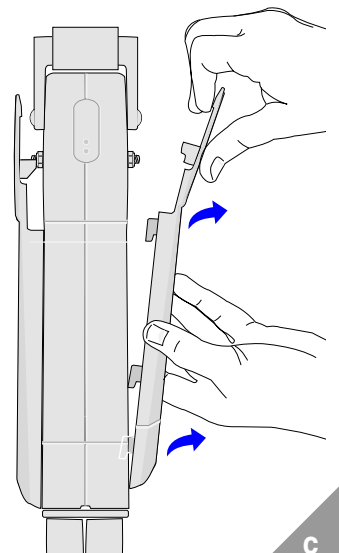
6c



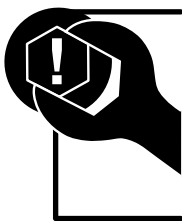
a



b



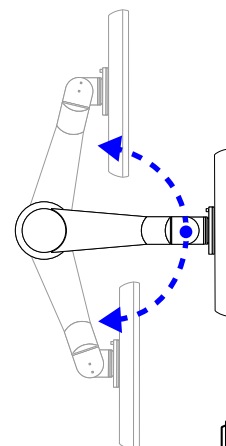
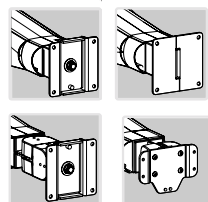
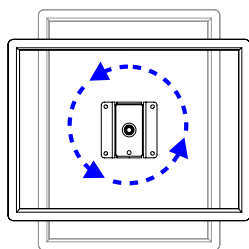
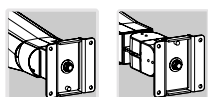
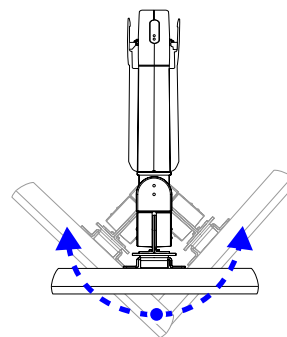
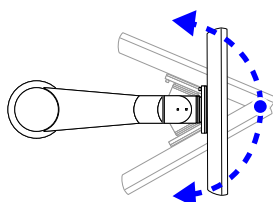
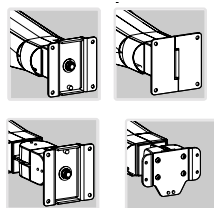
c





**Adjustment
Justierung
Justierung
Ajustement
Bijstelling
Ajuste
Regolazione**

OVERVIEW

Ergotron's 400 Series Horizontal Mount, Flat Panel Monitor Arms are factory-set to provide positive pivot control and a smooth moving force throughout the entire range of motion. To customize your installation, you will evaluate the operation of each function by moving the Arms through their full range of movement. If excessive force is required to move the Arms or if the Arms do not stay in the desired position, adjustment is required. Adjust for a controlled motion of the Arms over the entire range of travel. Specific adjustment procedures for each function are found on the following pages.

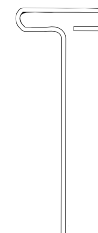



1x  1/2"
(13mm)

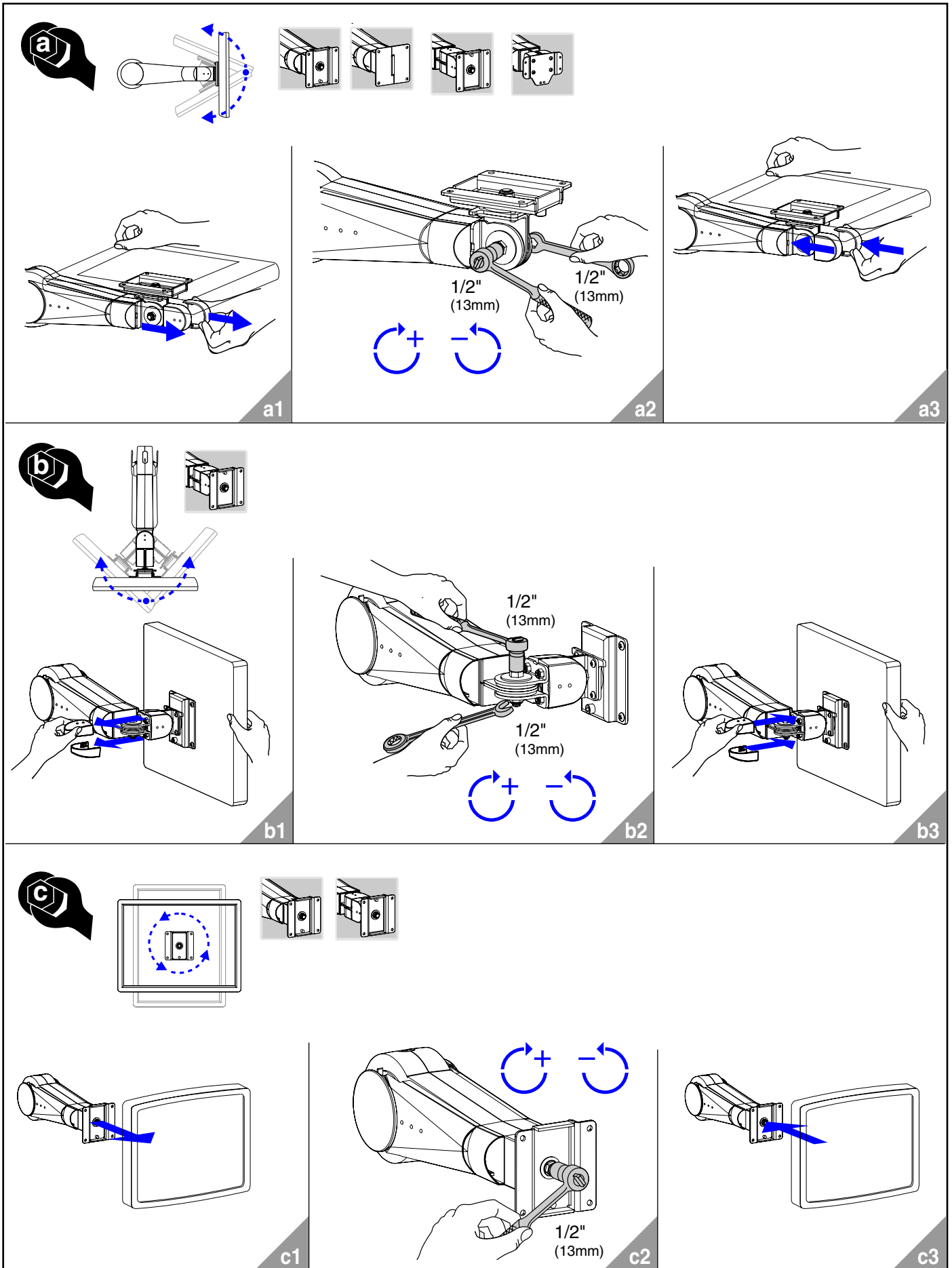
1x  9/16"
(14mm)

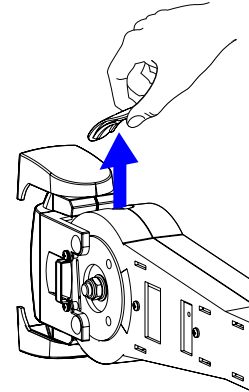
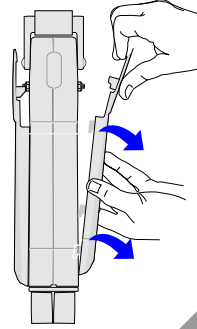
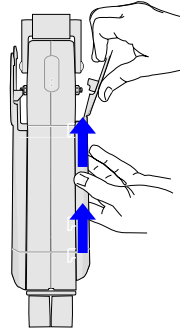
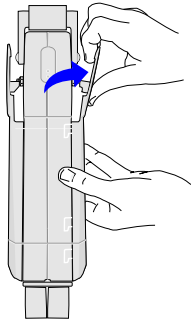
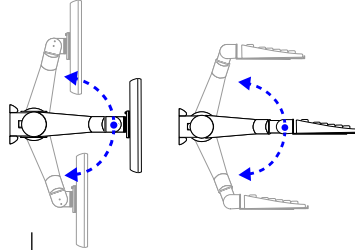
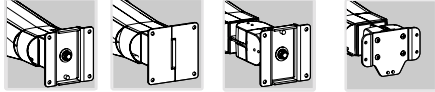
1x  1/2"
(13mm)

1x  9/16"
(14mm)



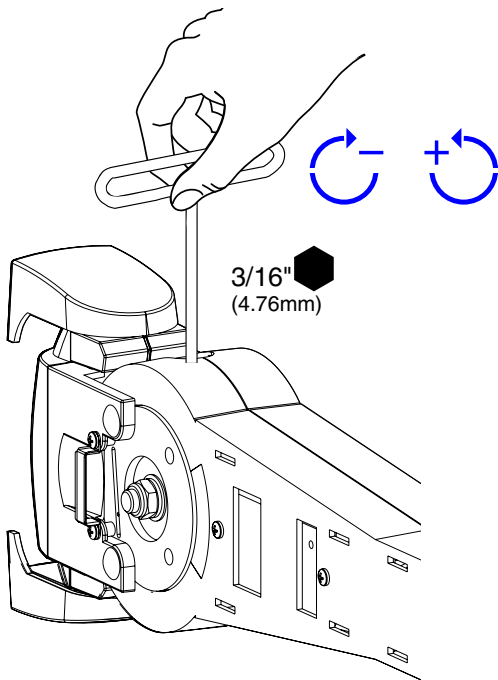
3/16" 
(4.76mm)



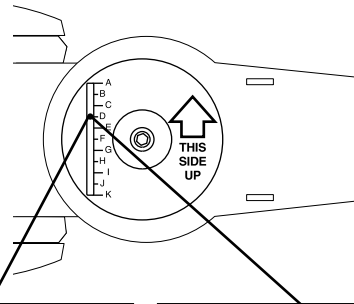


d1

d2

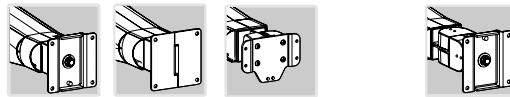
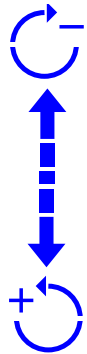


3/16"
(4.76mm)

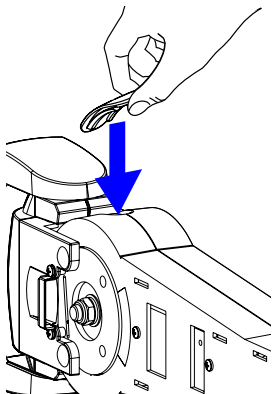


lbs.	kgs.	
<5	(<2.3)	A
6-7	(2.7-3.2)	B
8-9	(3.6-4.1)	C
10-12	(4.5-5.4)	D
13-14	(5.9-6.4)	E
15-17	(6.8-7.3)	F
18-20	(8.2-9.1)	G
21-23	(8.6-10.4)	H
24-26	(10.9-11.8)	I
27-28	(12.3-12.7)	J
--	--	K

lbs.	kgs.	
<5	(<2.3)	A
6-7	(2.7-3.2)	B
8-9	(3.6-4.1)	C
10-11	(4.5-5.0)	D
12-14	(5.4-6.4)	E
15-16	(6.8-7.3)	F
17-18	(7.7-8.2)	G
19-20	(8.6-9.1)	H
21-22	(9.5-10.0)	I
23	(10.4)	J
--	--	K

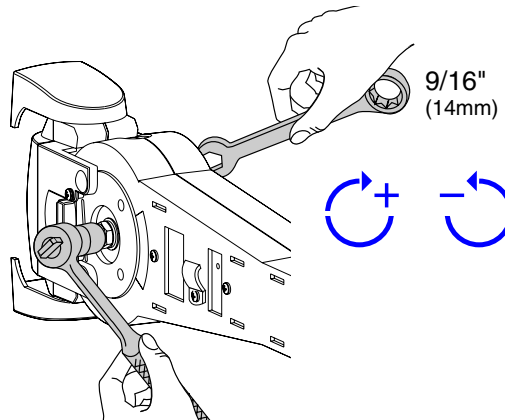


d3



NOTE: Follow this step only if correct tension was not achieved in d3 .

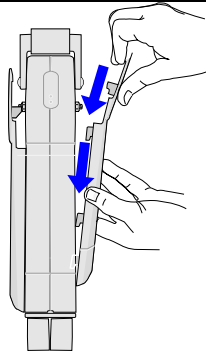
9/16"
(14mm)



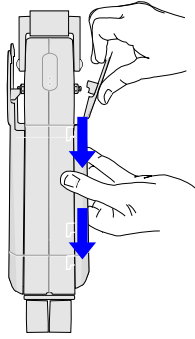
9/16"
(14mm)

d4

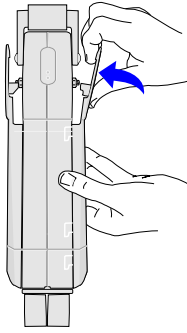
d5



d6

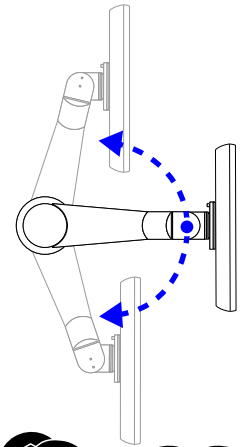
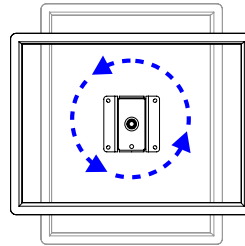
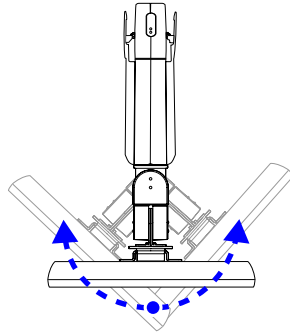
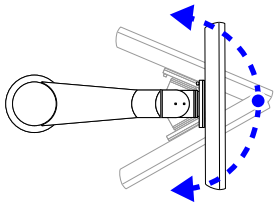


d7



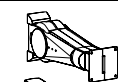
d8

? TROUBLE SHOOTING

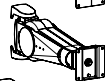


Symptom	Probable Cause	Solution
Monitor pivots Up and Down too difficult or too easy (sags)	Improper Pivot tension	
	Monitor exceeds Weight Capacity*	USA 1-800-888-8458 Europe +31 (0)33-45 45 600
Monitor pivots Side-to-Side too difficult or too easy	Improper Pivot tension	
Monitor rotates from Portrait to Landscape too difficult or too easy	Improper Pivot tension	
Arm moves Up and Down too difficult or too easy (sags)	Improper Arm tension	
	Load exceeds Weight Capacity*	USA 1-800-888-8458 Europe +31 (0)33-45 45 600

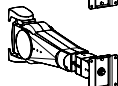
*** Weight Capacity:**



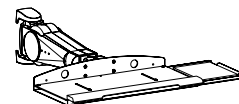
5 - 28 lbs. (2.27 - 12.71 kgs)



5 - 28 lbs. (2.27 - 12.71 kgs)



5 - 23 lbs. (2.27 - 10.44 kgs)



5 - 15 lbs. (2.27 - 6.8 kgs)

Ergotron Warranty

Ergotron warrants that its products will remain free of defects in material and workmanship for five (5) years. All subject to the exceptions, exclusions and limitations as set forth below.

Exceptions to this warranty include:

- Three (3) year warranty on all Neo-Flex™ by Ergotron products
- One (1) year warranty on all power supply components by Ergotron; battery carries a 90 day performance warranty and six (6) month warranty against manufacturer defects.
- OEM products resold by Ergotron are warranted by the respective manufacturer

Exclusive Remedy: If any Ergotron equipment is or becomes defective in material or workmanship during the warranty period, Ergotron, at its sole discretion, may replace or repair the unit at a designated Ergotron location or at the customer location. The purchaser must get pre-approved authorization to return product to Ergotron. The Purchaser must contact Ergotron to obtain an RMA (Return Material Authorization) number. Ergotron will promptly repair or replace the item and ship it to Purchaser at no charge to the Purchaser. Performance of repair or replacement does not renew or extend the warranty period.

THIS REMEDY IS THE EXCLUSIVE REMEDY FOR BREACH OF WARRANTY AS TO THE EQUIPMENT, except in respect to the personal injury. Purchaser shall give Ergotron immediate written notice of any personal injury resulting from use of Ergotron equipment.

Exclusions and Limitations: Ergotron disclaims liability for injuries or losses caused by or associated with installation or use of its equipment in any manner other than in strict conformance with the instructions set forth in its installation manuals, supplemental assembly and installation instruction sheets, technical bulletins or product literature or by equipment that has been altered, damaged or misused.

Warranty on fully charge batteries left in an unused state for more than three (3) consecutive months is automatically void.

Warranty on fully discharged batteries left in an unused state for more than three (3) consecutive days is automatically void.

Purchaser has not relied upon and Ergotron disclaims any and all warranties other than the expressed warranty stated above, subject to the exclusions and limitations provided herein. Ergotron disclaims all other warranties, expressed or implied, including but not limited to the warranties of merchantability and fitness for a particular purpose.

Ergotron further disclaims liability to purchaser and all others for all consequential, incidental and special damages caused by or in connection with the products, their use or misuse, and their performance or nonperformance.

821-842-00

For Warranty information in other languages contact customer service.



USA 1-800-888-8458

Europe +31 (0)33-45 45 600

Ergotron, Inc.

World Headquarters
1181 Trapp Road, St. Paul, MN 55121 USA
Phone: 1-800-888-8458
Fax: 651-681-7717;
E-mail: sales@ergotron.com
Visit our website: www.ergotron.com

Ergotron Europe

Beeldschemweg 3
3821 AH Amersfoort
The Netherlands
Tel: +31 (0)33-45 45 600
Fax: +31 (0)33-45 45 649
Visit our website: www.ergotron-europe.com

Ergotron Canada

2000 Argenta Road Plaza IV, Suite 290
Mississauga, Ontario L5N 1W1, Canada
Phone: 1-800-267-9912
Fax: 1-905-567-4570;
E-mail: info.ca@ergotron.com



© 2006 Ergotron, Inc.
All rights reserved.

While Ergotron, Inc. makes every effort to provide accurate and complete information on the installation and use of its products, it will not be held liable for any editorial errors or omissions (including those made in the process of translation from English to another language), or for incidental, special or consequential damages of any nature resulting from furnishing this instruction and performance of equipment in connection with this instruction. Ergotron, Inc. reserves the right to make changes in the product design and/or product documentation without notification to its users. For the most current product information, or to know if this document is available in languages other than those herein, please contact Ergotron Customer Care at: 800-888-8458 or consult the Ergotron, Inc. website at: www.ergotron.com. No part of this publication may be reproduced, stored in a retrieval system, or transmitted in any form or by any means, electronic, mechanical, photocopying, recording or otherwise without the prior written consent of Ergotron, Inc., 1181 Trapp Road, Eagan, Minnesota, 55121, USA Patents Pending and Patented U.S. & Foreign. Ergotron is a registered trademark of Ergotron, Inc.