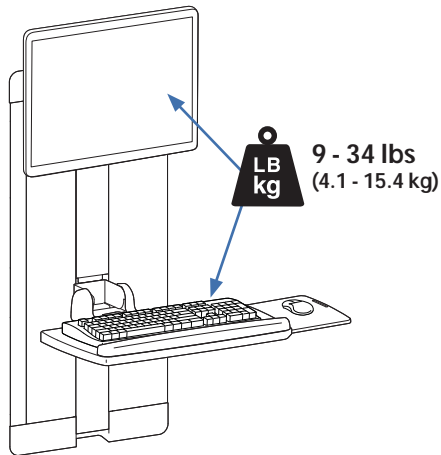
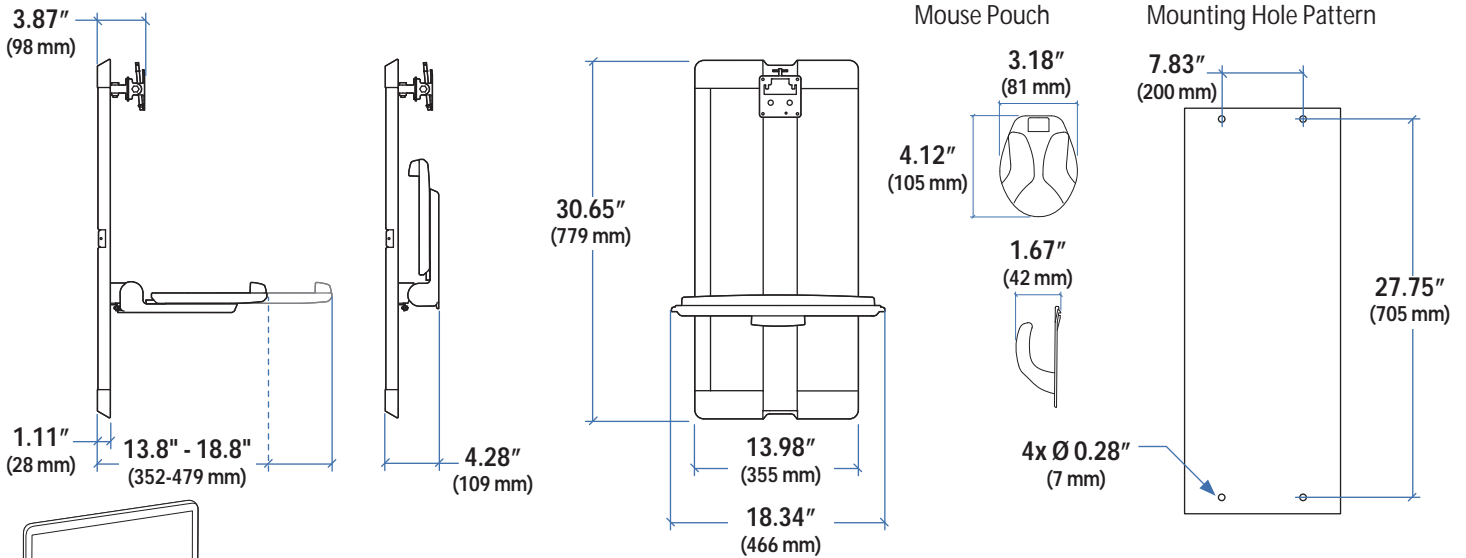


Vertical Lift, Patient Room



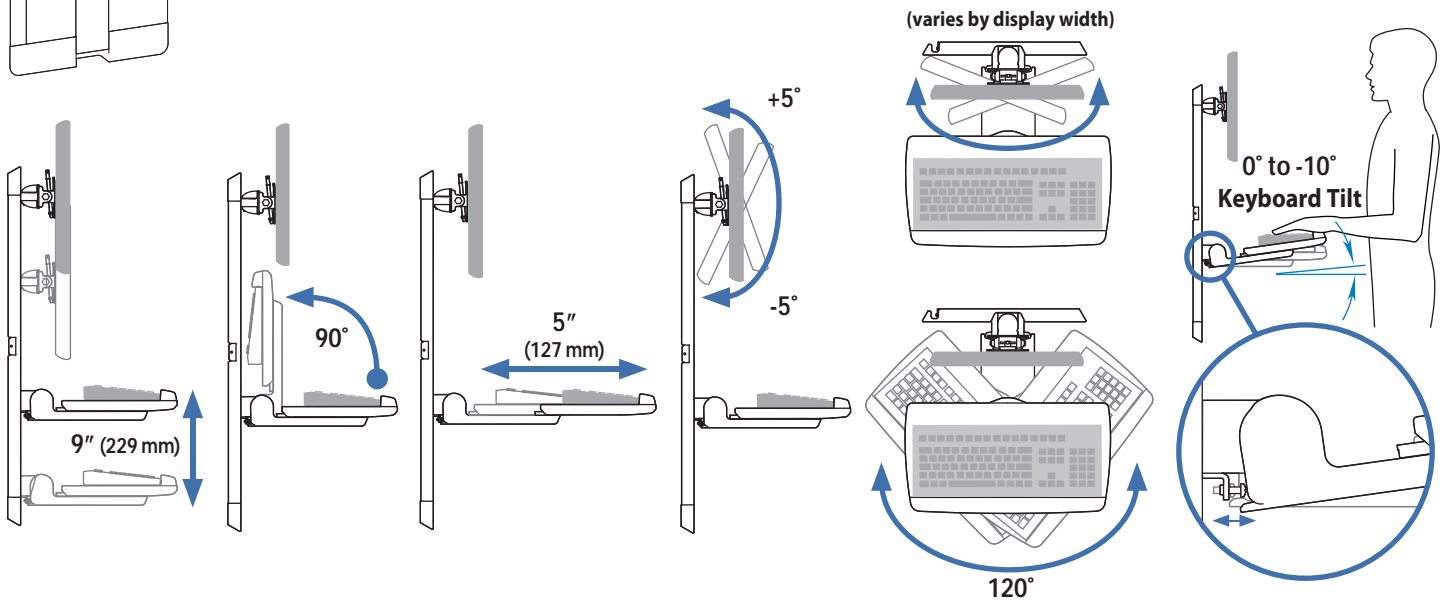
Centerline of Four-Hole VESA FDMI Pattern

Rear of Monitor

Minimizing Vertical Lift Storage Profile
 For keyboard to fit under the monitor when in storage position, follow these guidelines:

1. Keyboard should not be more than 8-1/8" (206 mm) deep if using wrist rest, or 9-1/2" (mm) if no wrist rest is used.
2. Dimension "A" must be no greater than 6-5/8" (168 mm).

NOTE: Keyboard needs to attach to the lowest set of holes.

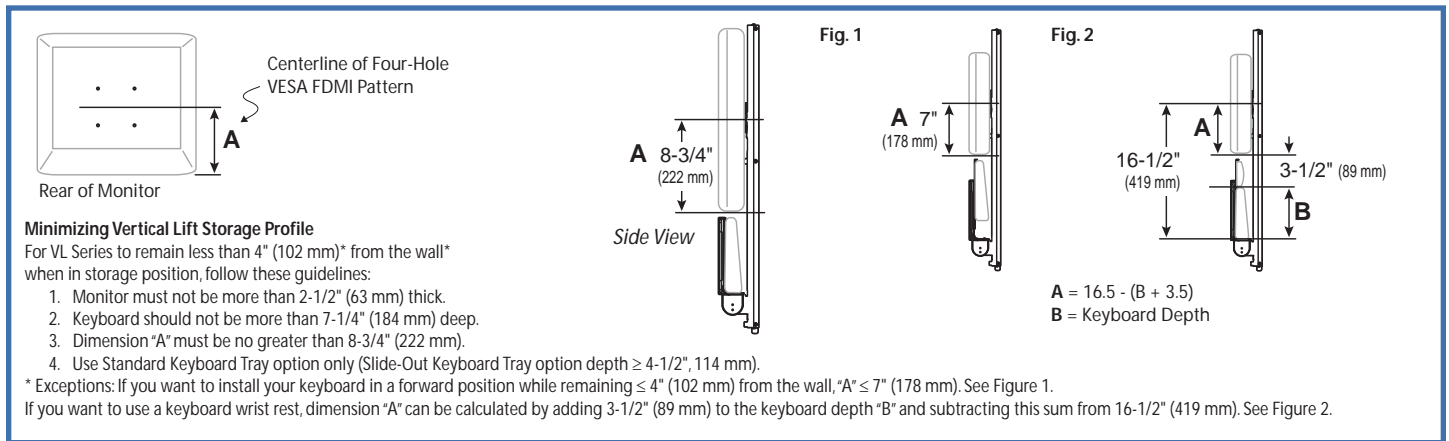
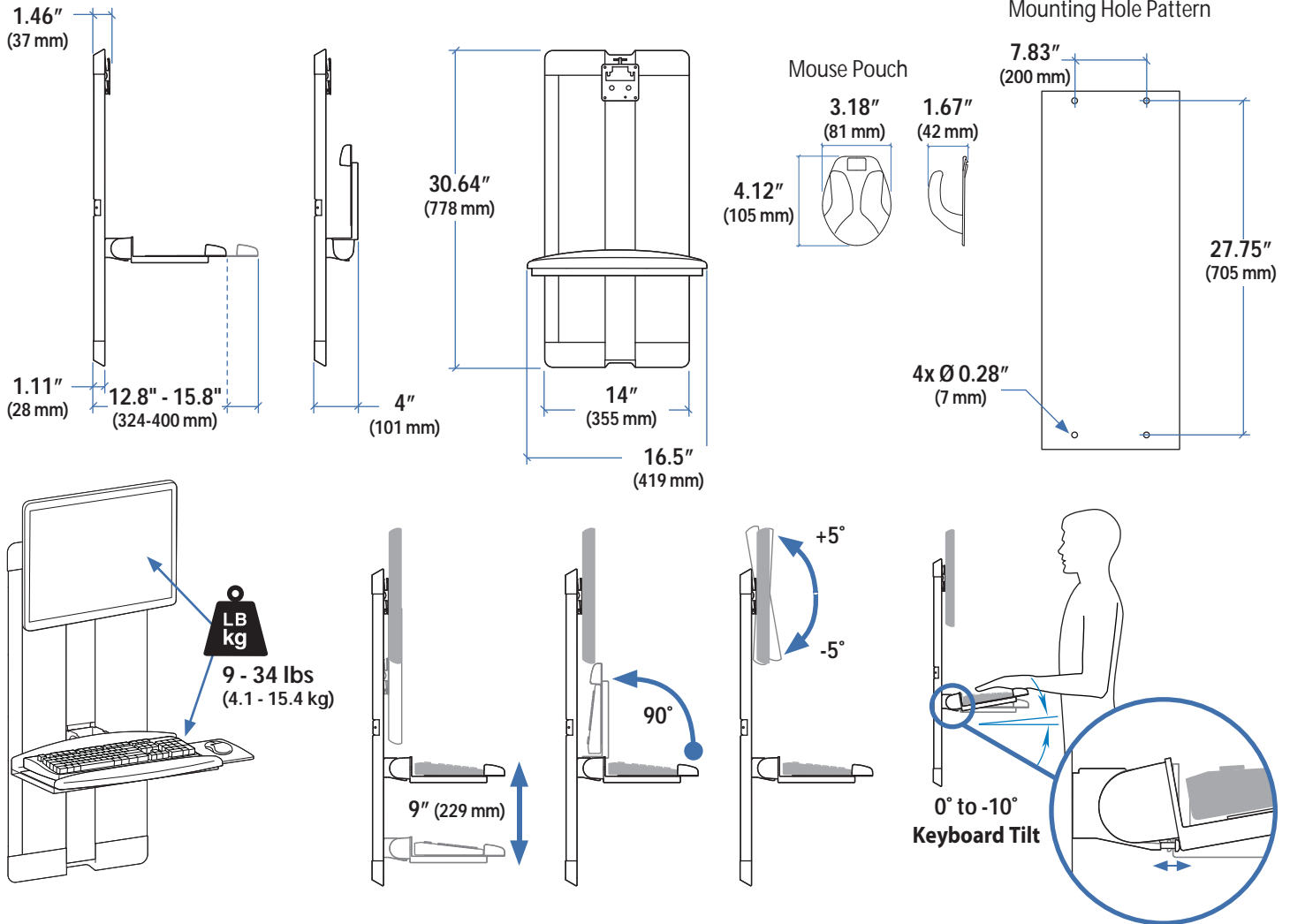


© 2008 Ergotron, Inc. rev. 11/13/2008 DIM-033-SV Content is subject to change without notification

Americas Sales and Corporate Headquarters	EMEA Sales	APAC Sales	Worldwide OEM Sales
St. Paul, MN USA (800) 888-8458 +1-651-681-7600 www.ergotron.com sales@ergotron.com	Amersfoort, The Netherlands +31 33 45 45 600 www.ergotron.com info.eu@ergotron.com	Singapore www.ergotron.com info.apac@ergotron.com	www.ergotron.com info.oem@ergotron.com



Vertical Lift, High Traffic Areas



© 2008 Ergotron, Inc. rev. 11/13/2008 DIM-033-SV Content is subject to change without notification

Americas Sales and Corporate Headquarters	EMEA Sales	APAC Sales	Worldwide OEM Sales
St. Paul, MN USA (800) 888-8458 +1-651-681-7600 www.ergotron.com sales@ergotron.com	Amersfoort, The Netherlands +31 33 45 45 600 www.ergotron.com info.eu@ergotron.com	Singapore www.ergotron.com info.apac@ergotron.com	www.ergotron.com info.oem@ergotron.com

